

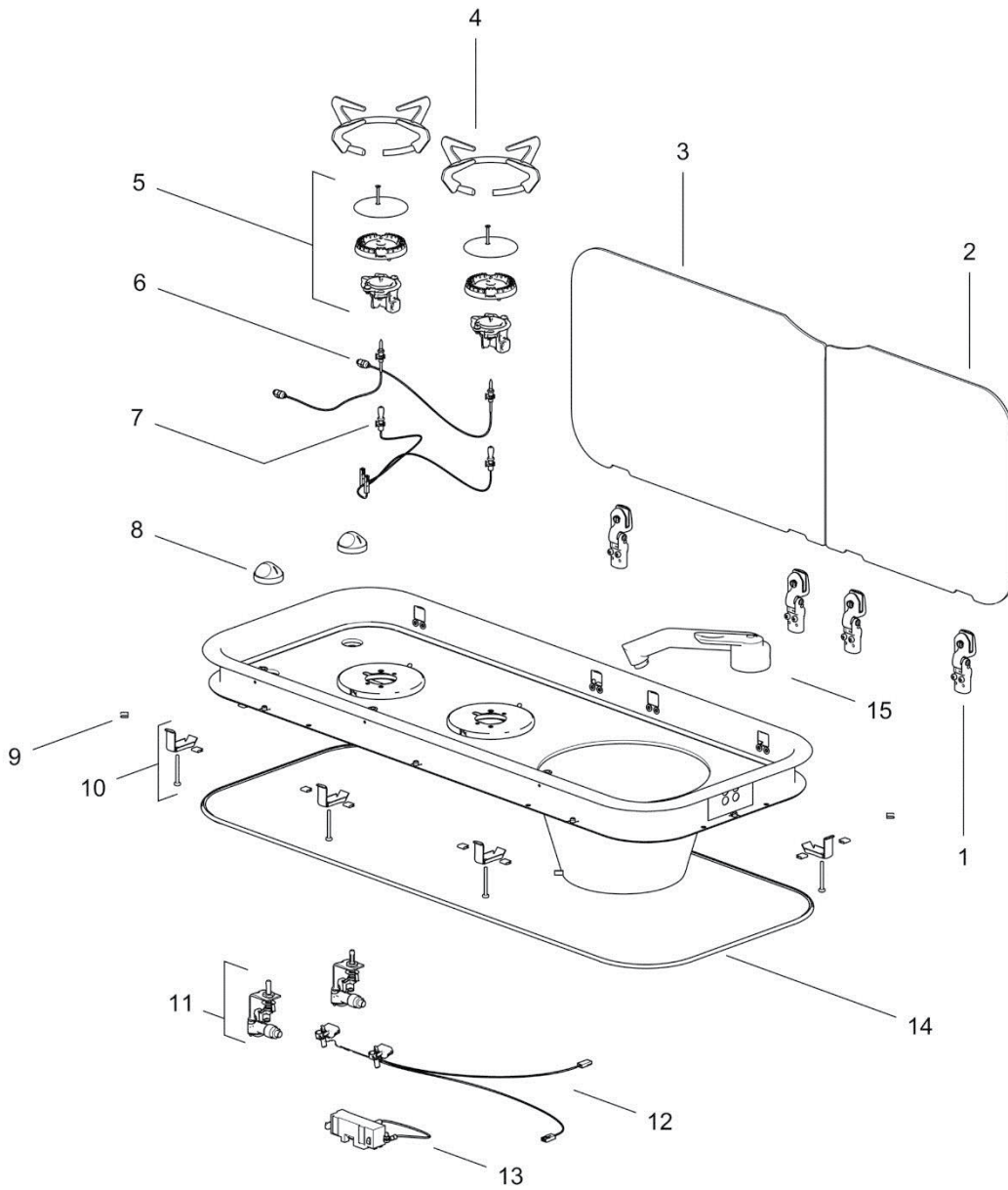


THETFORD SPARE PARTS

Spare Parts List 2019

THETFORD SPARES

SCU111XX



THETFORD SPARES

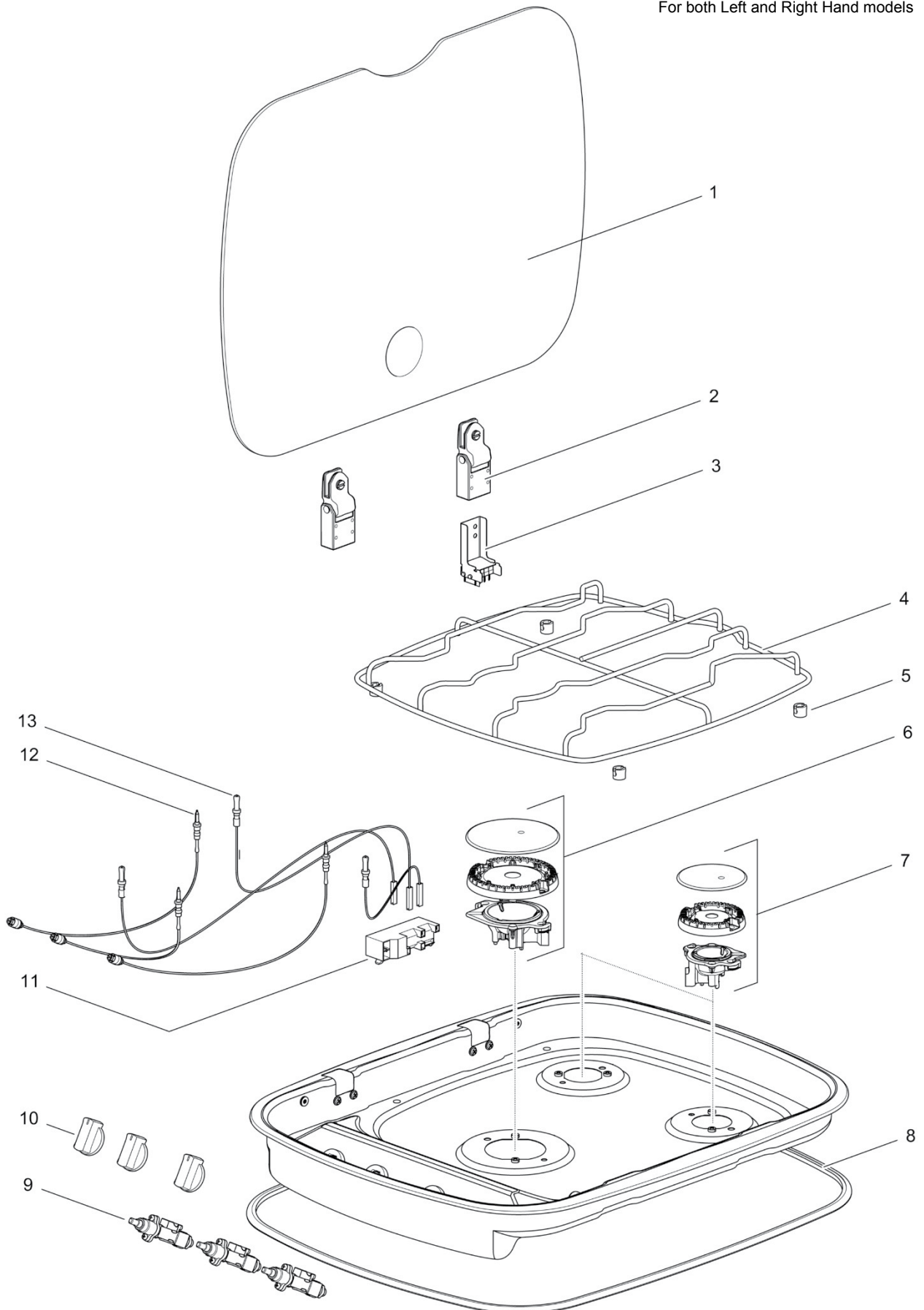
SCU11180XX

	Spare part number	Colours available
Hinge x2	SSPA0010	
Glass lid bowl	SSPA0208	
Glass lid burners	SSPA0209	
Pan support x1	SSPA0965	
Burner assembly – semi rapid	SSPA0812	
Thermocouples x2	SSPA0620	
Spark electrodes x2	SSPA0326	
Control knobs	SSPA0901	.BK
Clips 20X	SSPA0051	
Fixing Kit	SSPA0021	
Burner tap 2x	SSPA0425	
Spark Ignition Wire Kit	SSPA0332	
Spark generator	SSPA0302	
Bezel	SSPA0070	
Water Faucet - Not Supplied by Thetford	N/A	

THETFORD SPARES

SHB145XX Argent Hob

For both Left and Right Hand models



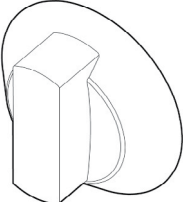
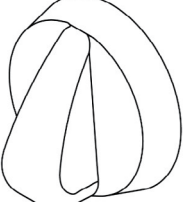
THETFORD SPARES

SHB145XX Argent Hob

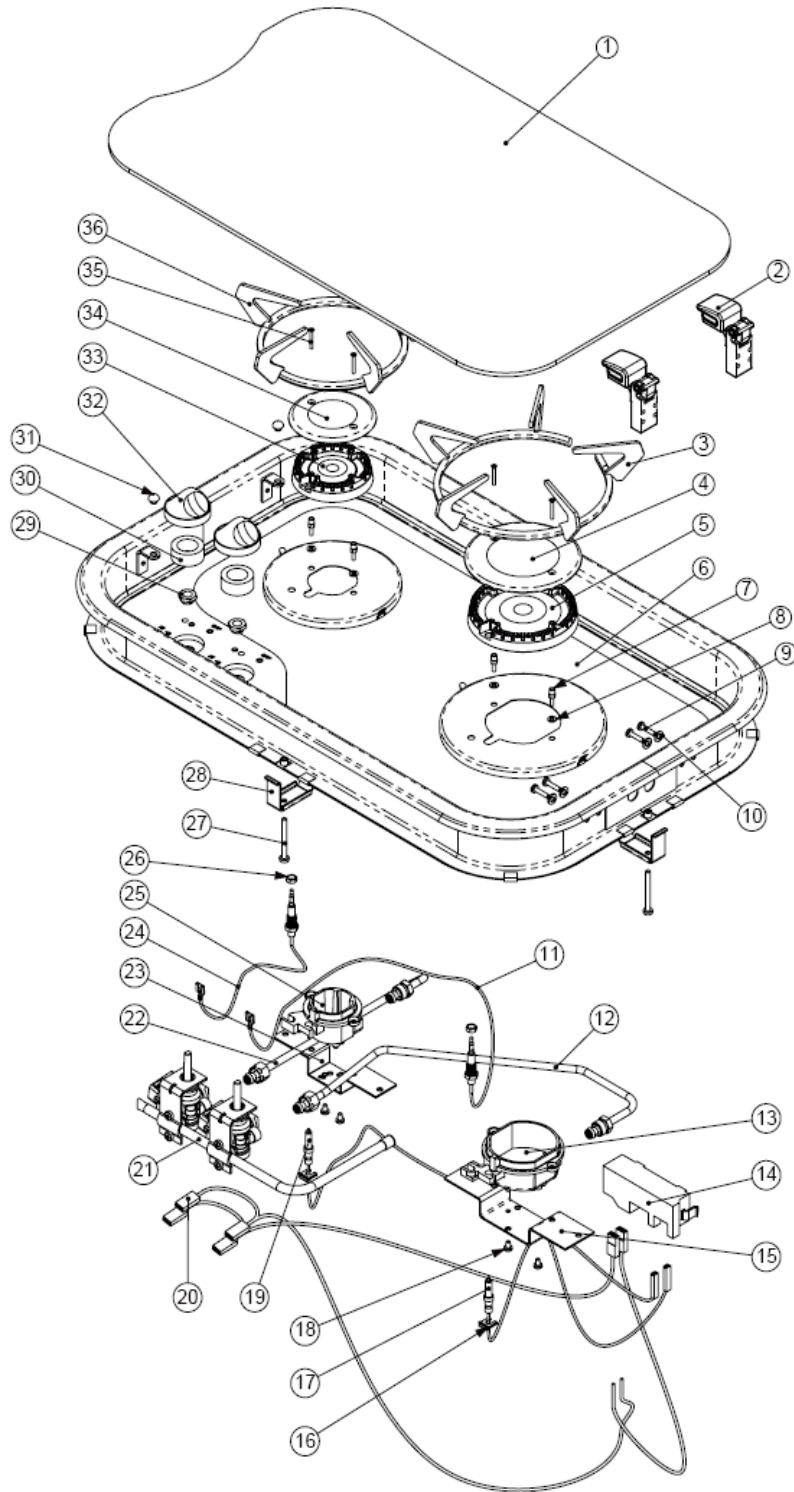
For both Left and Right Hand models

		Spare part number	Colours available
1	Glass lid (Smoked black)	SSPA0220	.BK
	Glass lid (Solid black)	SSPA0221	.SBK
2	Hinge	SSPA0009	
3	Shut-off assy	SSPA0607	
4	Pan support (Chrome plated)	SSPA0976	
	Pan support (Enameled black)	SSPA0977	
5	Pan support clip 4x	SSPA0041	
	Pan support clip 50x	SSPA0042	
6	Burner assy large		
	Production date: < 10-06-12 (E161N...)	SSPA0123	
	Production date: ≥ 11-06-12 (E162N...)	SSPA0813	
7	Burner assy medium		
	Production date: < 10-06-12 (E161N...)	SSPA0114	
	Production date: ≥ 11-06-12 (E162N...)	SSPA0812	
8	Bezel	SSPA0073	
9a	Gas tap burner large 1x		
	Production date: < 10-06-12 (E161N...)	SSPA0472	
	Production date: ≥ 11-06-12 (E162N...)	SSPA0470	
	Production date: ≥ 02-10-17 (E275U...)	SSPA0474	
9b	Gas tap burner medium 1x		
	Production date: < 10-06-12 (E161N...)	SSPA0432	
	Production date: ≥ 11-06-12 (E162N...)	SSPA0430	
	Production date: ≥ 02-10-17 (E275U...)	SSPA0433	
10	Knobs	<i>Refer to page 3</i>	
11	Spark generator	SSPA0303	
12	Thermocouple		
	Production date: < 10-06-12 (E161N...)	SSPA0150	
	<i>With shutoff</i>	N/A	
	Production date: ≥ 11-06-12 (E162N...)	SSPA0164	
	<i>With shutoff</i>	SSPA0607	
13	Electrode		
	Production date: < 10-06-12 (E161N...)	SSPA0312	
	Production date: ≥ 11-06-12 (E162N...)	SSPA0322	

Control knobs

Control knob sets		
Spare part number	SSPA0912	SSPA0914
Colours available	Satin (.SA)	Matt Nickel (.MNK) Black (.BK)
Set quantity	3	3

THETFORD SPARES

165 Series Hob - Exploded Drawing

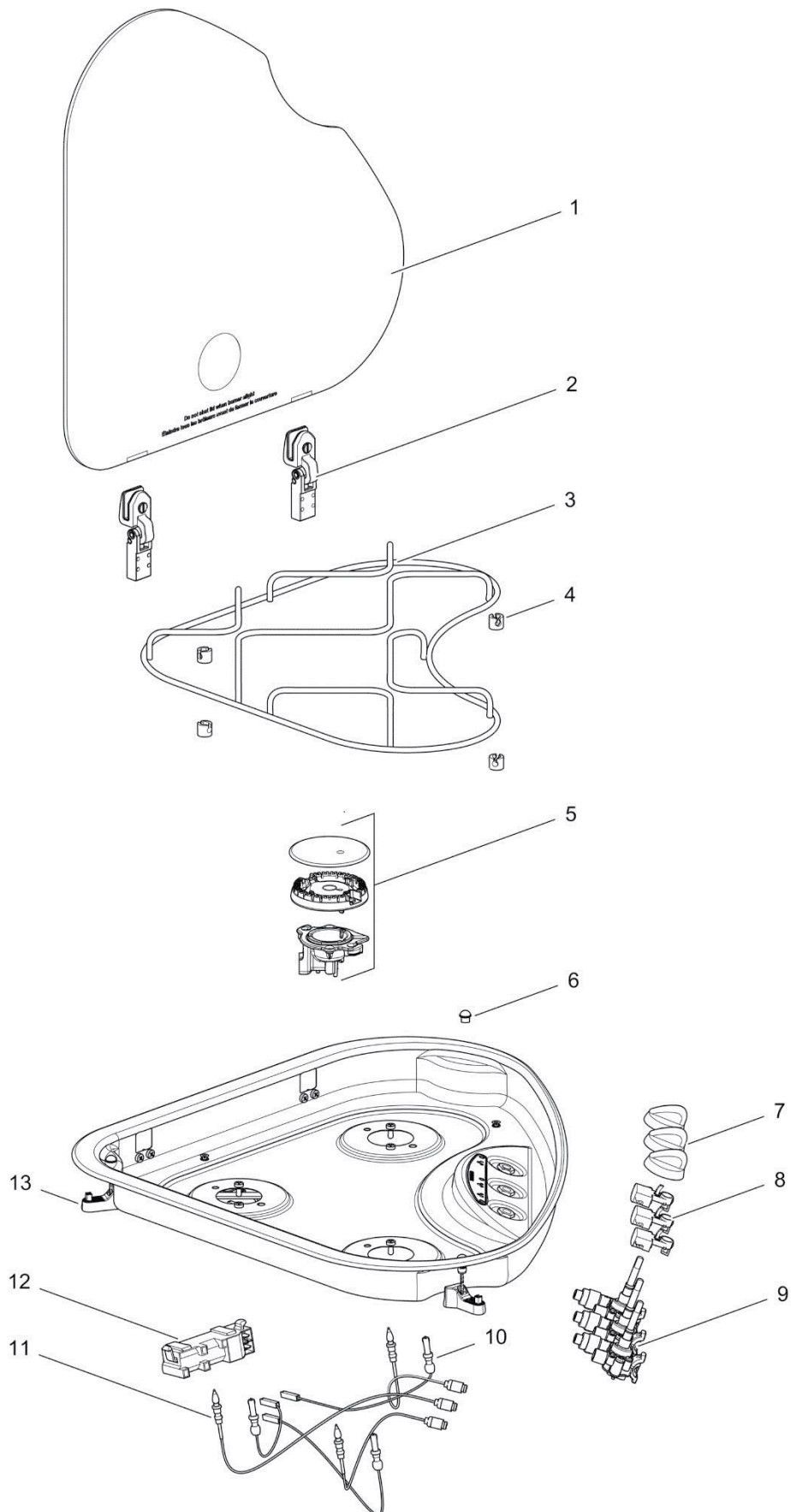
165 Series Parts List

DRW No.	PART CODE	DESCRIPTION
1	SG925.BK	Glass Lid, series 165 Hob, BK
2	SPCC2003.BK	Hinge, glass lid 2004 style
3	SPCC0700.EN	Support, Pan, Individual - rapid
4	SPCC0833	Burner Cap, SR, Rapid
5	SPCC0831	Flamespreader, SR, Rapid
6	SMAO1985.BK/SS	Assy, hobtop, Series 165
7	SPCC0814	Stud, fixing, burner cup
8	SPCX0339	Washer, 4bs red fibre
9	SPCX0101.BK	Screw (for lid hinge)
10	SPCX0178.BK	Washer, 2ba black fibre (for lid hinge screw)
11	SPCC1132	Thermocouple, 450mm
14	SPCC1392	Generator, Spark, 12v
16	SPCC1498	Clip, fixing, electrode
17	SPCC1453	Electrode, spark 300mm
19	SPCC1455	Electrode, spark 600mm
20	SPWK0018	Wire Kit, 12v, ignition
21	SMAC1233	Tap/Manifold Assy
	♦ SPCC0733	Tap, Burn (0.34) semi burner
	♦ SPCC0734	Tap, Grill (0.45) rapid burner
24	SPCC1130	Thermocouple, 250mm
26	SPCX0163	Locknut, M6 brass coarse thread
27	SPCX0121	Screw, M4x40 Pan Pozi
28	SMCC9305	Bracket, worktop, fixing, top line hob
30	SPCX0346	S/A EDPM Sponge washer
31	SPCX0391	Bump Stop, push fit
32	SPCC0619.BK	Knob, control BK LAM
33	SPCC0811	Flamespreader, SR, Semi
34	SPCC0813	Burner Cap, SR, Semi
35	SPCC0815	Screw, fixing, burner cap
36	SPCC0699.EN	Support, Pan, Individual - aux/semi
	SMAC9310.BK	Surround trim, series 165 vertical hob
	SPCC1499	Gasket, electrode
	SPCC1272	Instructions, user, topline hobs, Multi

THETFORD SPARES

SHB330XX Continental Hob (Triangular)

For both Left and Right Hand models



THETFORD SPARES

SHB330XX Continental Hob (Triangular) | 1217

For both Left and Right Hand models

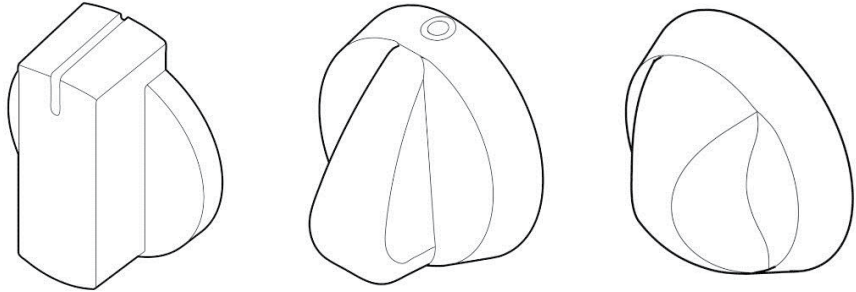
		Spare part number	Colours available
1	Glass lid		
	Left handed	SSPA0214	
	Left handed (with heatshield)	SSPA0212	
	Right handed	SSPA0215	
	Right handed (with heatshield)	SSPA0213	
2	Hinge	SSPA0010	
3	Pan support	<i>Refer to page 3</i>	
4	Pan support clip 4x	SSPA0041	
	Pan support clip 50x	SSPA0042	
5	Burner assy		
	Production date: < 18/08/13 (E230P...)	SSPA0114	
	Production date: > 19/08/13 (E231P...)	SSPA0812	
6	Bump stop	SSPA0040	
7	Knobs	<i>Refer to page 3</i>	
8	Wire Kit	SSPA0337	
9	Taps (x2)		
	Production date: < 18/08/13 (E230P...)	SSPA0429	
	Production date: > 19/08/13 (E231P...)	SSPA0425	
10	Electrode		
	Production date: < 18/08/13 (E230P...)	SSPA0310	
	Production date: > 19/08/13 (E231P...)	SSPA0320	
11	Thermocouple		
	Production date: < 18/08/13 (E230P...)	SSPA0163	
	Production date: > 19/08/13 (E231P...)	SSPA0162	
12	Spark Generator	SSPA0300	
13	Fixing Kit	SSPA0025	

THETFORD SPARES

SHB330XX Continental Hob (Triangular)

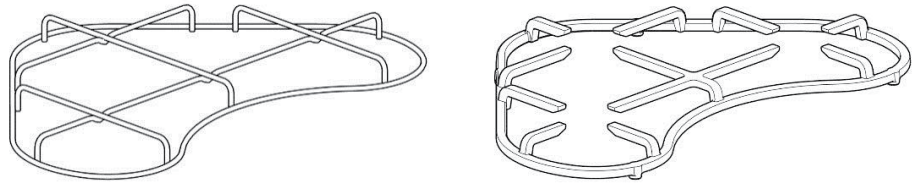
For both Left and Right Hand models

Control knobs



Spare part number	SSPA0911.BK	SSPA0914	SSPA0918
Colours available	Black (.BK)	Matt Nickel (.MNK)	Black (.BK)
Set quantity	3	3	3

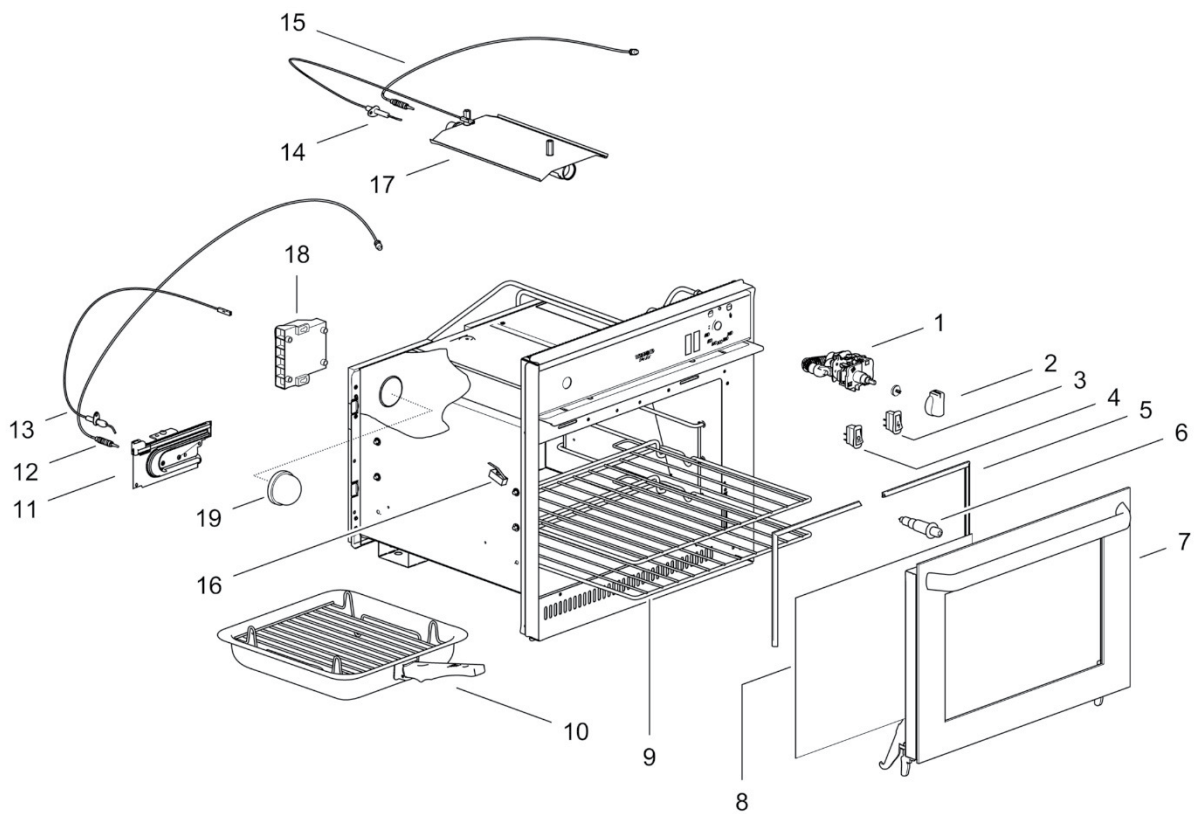
Pan support



Description	Chrome	Cast iron
Spare part number	SSPA0955	SSPA0954

THETFORD SPARES

SOG7XXXX Duplex Mk3-4



THETFORD SPARES

SOG7XXXX Duplex Mk3-4

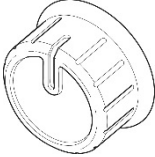
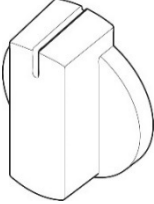
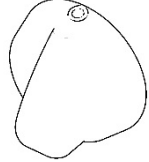
		Spare part number	Spare part number
1	Oven/grill tap		
	Production date: < 16-02-07 (E047G...)	SSPA0455	
	Production date: < 12-01-14 (E012R...)	SSPA0456	
	Production date: > 13-01-14 (E013R...)	SSPA0457	
2	Knob	<i>Refer to page 4</i>	
3	Ignition switch (rectangular or round)	<i>Refer to page 4</i>	
4	Light switch*	SSPA0591	
5	Oven seal	SSPA0062	
6	Piezo ignition (n.a. on all models)	<i>Refer to page 4</i>	
7	Oven door	<i>Refer to page 5</i>	
8	Glass, inner door	SSPA0253	
9	Oven shelf	SSPA0982	
10	Grill pan	SSPA0993	
11	Oven burner	SSPA0191	
12	Electrode oven	SSPA0626	SSPA0606 < 06-12-16 (E340T...) Modification kit
13	Thermocouple oven	> 06-12-16 (E340T.....)	
14	Thermocouple grill	SSPA0627	
15	Electrode grill	> 06-12-16 (E340T.....)	
16	Grill shutoff	SSPA0605	
17	Grill burner		
	Production date: < 26-10-15 (E299S...)	Not available	
	Production date: > 26-10-15 (E299S...)	SSPA0185	
18	Spark generator	<i>Refer to page 5</i>	
19	Oven lamp*	SSPA0560	

* Only applicable for models with light inside

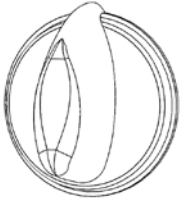
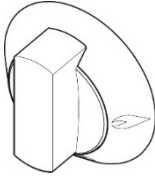

THETFORD SPARES

SOG7XXXX Duplex Mk3-4




Knobs

Control Knob			
Spare part number	SSPA0916	SSPA0911	SSPA0914
Colours available	Brushed-Nickel/Black (.BNK)	Black (.BK) Matt Nickel (.MNK)	Black (.BK) Matt Nickel (.MNK)
Set quantity	3,0	3,0	3,0

Knobs

Control Knob			
Spare part number	SSPA0915	SSPA0912	SSPA0913
Colours available	Satin (.SA)	Chrome (.CR)	Black (.BK)
Set quantity	3,0	3,0	3,0

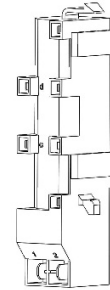
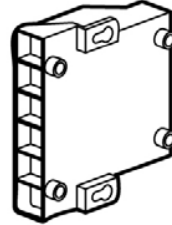
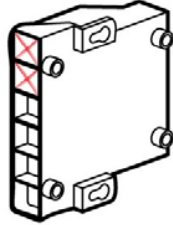
Ignition switches

			
Description	Ignition switch rectangular	Ignition switch round	Piezo ignition
Spare part number	SSPA0380	SSPA0381	SSPA0382

THETFORD SPARES

SOG7XXXX Duplex Mk3-4

Spark generator



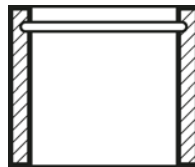
Description	4 terminals, 2 blanks	6 terminals	6 terminals
Spare part number	SSPA0303	SSPA0399	SSPA0301

Cladding styles

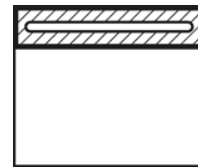
No cladding



Side cladding



Behind handle cladding

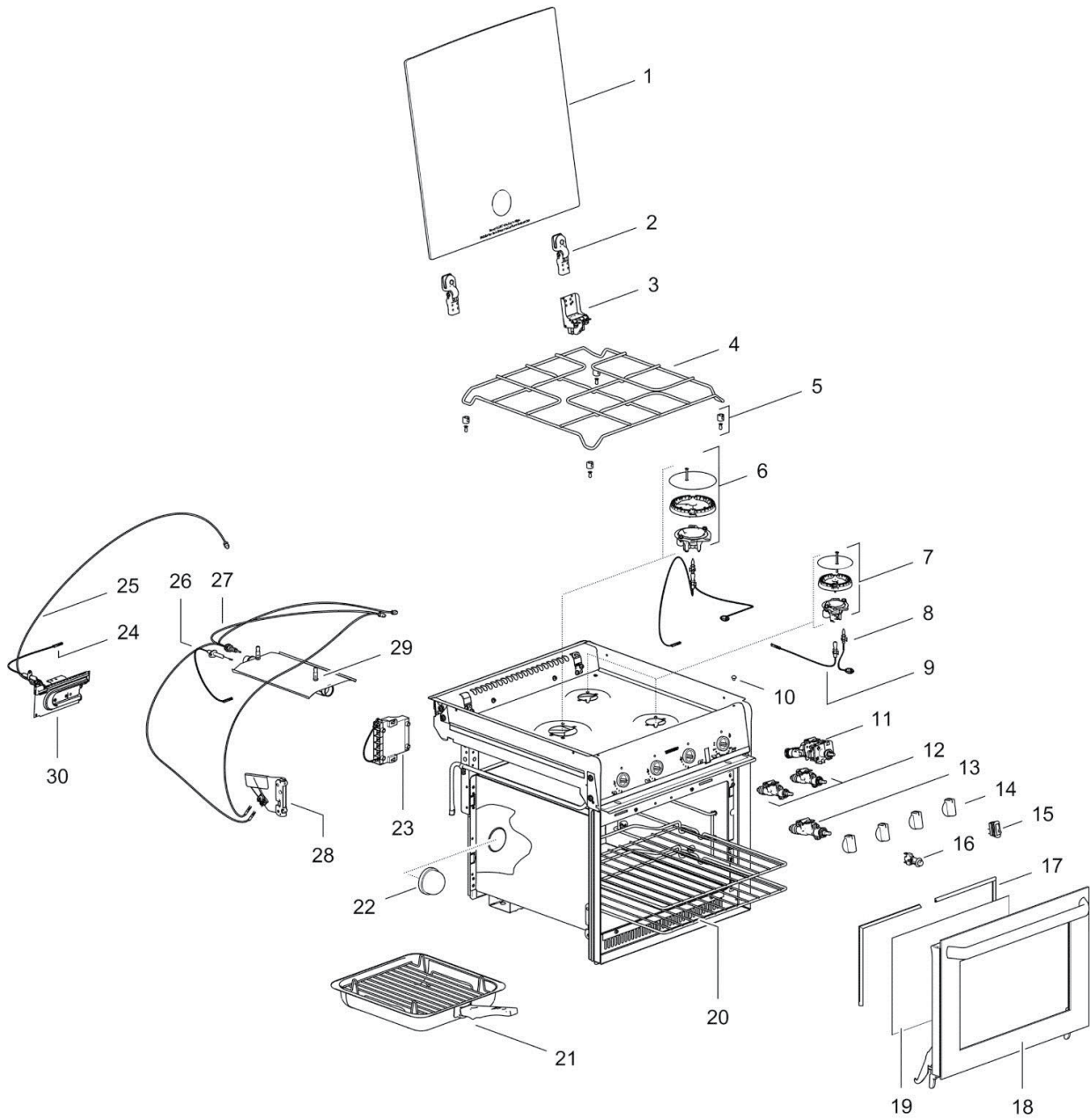


Oven doors

Spare part number	Glass	Print	Cladding	Cladding Position	Handle Style	Handle Colour
SMAO3435.BKX	Clear	Black	No	N/A		Black
SMAO3435.BK1X	Clear	Black	No	N/A		Steel
SMAO3435.BK5X	Clear	Black	Brushed stainless	Sides		Steel
SMAO3435.BK11X	Clear	Black	Linen stainless	Sides		Steel
SMAO3435.BK13X	Clear	Black	Brushed stainless	Sides		Black
SMAO3435.MIR1X	Mirror	Black	No	N/A		Steel
SMAO3435.MIR6X	Mirror	Black	No	N/A		Chrome
SMAO3435.SSX	Sparkling stainless	Black	No	N/A		Black

THETFORD SPARES

SOH70XXX Triplex Cooker



THETFORD SPARES

SOH70XXX Triplex Cooker

		Spare part number	Spare part number	Colours available
1	Glass lid (.BK: smoked black)	SSPA0235		.BK
	Glass lid (.SBK: solid black)	SSPA0242		.SBK
2	Glass lid hinges 2x	SSPA0010		
3	Shut off assy (=incl. nr 8)			
	Production date: < 06-12-2016 (< E340T...)	SSPA0600		
	Production date: ≥ 07-12-2016 (≥ E341T...)	SSPA0603		
4	Pan support	SSPA0961		
5	Pan support clips 4x	SSPA0041		
	Pan support clips 50x	SSPA0042		
6	Burner assy (Large)			
	Production date: < 24-06-2012 (< E175N...)	SSPA0123		
	Production date: ≥ 25-06-2012 (≥ E176N...)	SSPA0813		
7	Burner assy (Medium)			
	Production date: < 24-06-2012 (< E175N...)	SSPA0110		
	Production date: ≥ 25-06-2012 (≥ E176N...)	SSPA0112		
8	Thermocouple 4x			
	Production date: < 24-06-2012 (< E175N...)	SSPA0150		
	<i>For lid shut off</i>	SSPA0600		
	Production date: ≥ 25-06-2012 (≥ E176N...)	SSPA0160		
	<i>For lid shut off</i>	SSPA0603		
9	Spark electrode 4x			
	Production date: < 24-06-2012 (< E175N...)	SSPA0310		
	Production date: ≥ 25-06-2012 (≥ E176N...)	SSPA0320		
10	Bump stop 2x	SSPA0040		
11	Gas Tap Oven/grill			
	Production date: < 24-06-2012 (< E175N...)	SSPA0456		
	Production date: ≥ 25-06-2012 (≥ E176N...)	SSPA0457		
	Production date: ≥ 15-10-2017 (≥ E288U...)	SSPA0458		
12	Gas tap burner 1x (Medium)			
	Production date: < 24-06-2012 (< E175N...)	SSPA0432		
	Production date: ≥ 25-06-2012 (≥ E176N...)	SSPA0430		
	Production date: ≥ 15-10-2017 (≥ E288U...)	SSPA0433		
13	Gas tap burner 1x (Large)			
	Production date: < 24-06-2012 (< E175N...)	SSPA0472		
	Production date: ≥ 25-06-2012 (≥ E176N...)	SSPA0470		
	Production date: ≥ 15-10-2017 (≥ E288U...)	SSPA0474		
14	Control knobs	<i>Refer to page 4</i>		
15	Spark ignition switch	SSPA0381		
16	Light switch <i>*not all models</i>	SSPA0560		
17	Oven door seal	SSPA0062		
18	Oven door	<i>Refer to page 5</i>		
19	Glass, inner door	SSPA0253		
20	Oven shelf 1x	SSPA0982		
21	Grill pan	SSPA0993		
22	Oven lamp <i>*not all models</i>	SSPA0562		

THETFORD SPARES

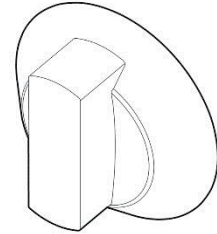
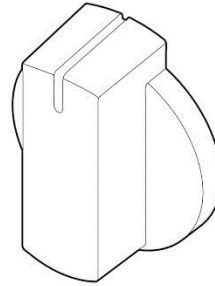
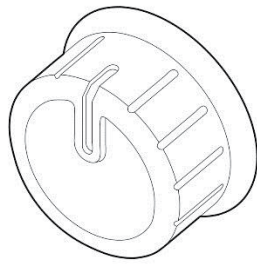
SOH70XXX Triplex Cooker

23	Spark generator	SSPA0399	
24	Electrode oven	SSPA0626 ≥ 06-12-16 (E340T...)	SSPA0606 < 06-12-16 (E340T...) Modification kit
25	Thermocouple oven		
26	Thermocouple grill	SSPA0627 ≥ 06-12-16 (E340T...)	
27	Electrode grill		
28	Grill shutoff	SSPA0605	
29	Grill burner		
	Production date: < 26-04-16 (E299S...)	Not available	
	Production date: ≥ 27-04-16 (E299S...)	SSPA0185	
30	Oven Burner	SSPA0191	

THETFORD SPARES

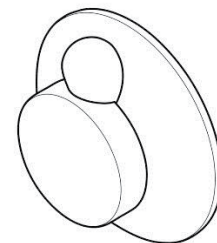
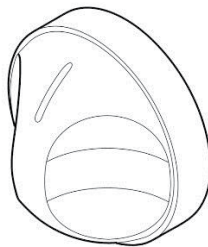
SOH70XXX Triplex Cooker

Control knobs



Spare part number	SSPA0900	SSPA0901	SSPA0902
Colours available	Brushed Nickel-Black (.BNK/BK)	Black (.BK) Matt Nickel (.MNK) Chrome (.CR) Gloss Nickel (.GNK)	Chrome (.CR) Satin (.SA)
Set quantity	6	6	6

Control knobs

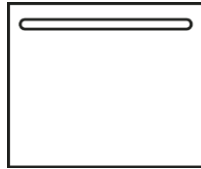


Spare part number	SSPA0905	SSPA0903
Colours available	Black (.BK)	Chrome(.CR)
Set quantity	6	6

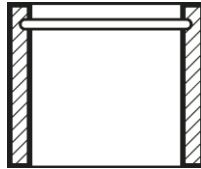
THETFORD SPARES

SOH70XXX Triplex Cooker

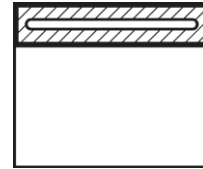
No cladding



Side cladding

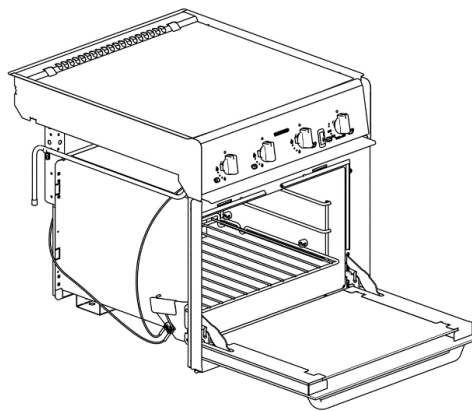


Behind handle cladding



Oven door styles

Drop down oven door

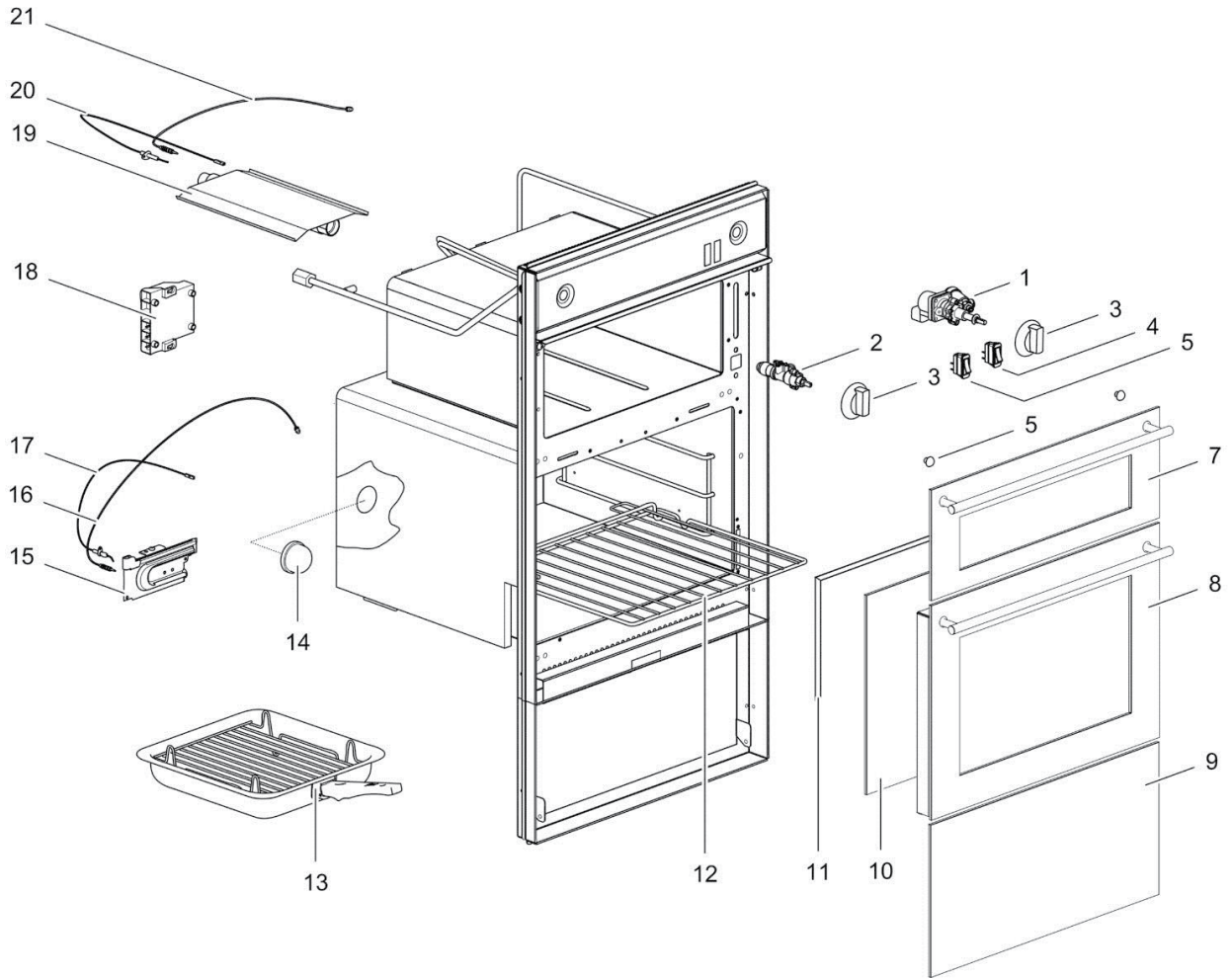


Drop down oven doors

Spare part number	Glass	Print	Cladding	Cladding position	Handle style	Handle colour
SMAO3435.BK/SVS1X	Clear	Black	No	N/A		Stainless
SMAO3435.BK1X	Clear	Black	No	N/A		Stainless
SMAO3435.BK5X	Clear	Black	Yes	Sides		Stainless
SMAO3435.BK14X	Clear	Black	Yes	Sides		Brushed Nickel
SMAO3435.BK16X	Clear	Black	No	N/A		Chrome
SMAO3435.BK19X	Clear	Black	Yes	N/A		Stainless
SMAO3435.BK20X	Clear	Black	No	N/A		Black
SMAO3435.BK21X	Clear	Black	Yes	Sides		Brushed Nickel
SMAO3435.BK22X	Clear	Black	No	N/A		Chrome
SMAO3435.BK24X	Clear	Black	Yes	Sides		Chrome
SMAO3435.MIR6X	Mirror	N/A	No	N/A		Brushed Nickel

THETFORD SPARES

SOP7XXXX Midi Prima 3



⊗

THETFORD SPARES

SOP7XXXX Midi Prima 3

		Spare part number	Spare part number	Colours available
1	Oven tap			
	Production date: < 13/03/2011 (E072M...)	SSPA0452		
	Production date: ≥ 14/03/2011 (E073M...)	SSPA0451		
2	Grill tap			
	Production date: < 13/03/2011 (E072M...)	SSPA0472		
	Production date: ≥ 14/03/2011 (E073M...)	SSPA0470		
3	Knob	<i>Refer to page 3</i>		
4	Ignition switch	SSPA0381		
5	Light switch	SSPA0591		
6	Bump Stops	SSPA0040		
7	Grill door	<i>Refer to page 4</i>		
8	Oven door	<i>Refer to page 4</i>		
9	Lower door	<i>Refer to page 4</i>		
10	Glass, inner door	SSPA0253		
11	Oven seal	SSPA0062		
12	Oven shelf	SSPA0982		
13	Grill pan	SSPA0993		
14	Oven lamp*	SSPA0560		
15	Oven burner	SSPA0191		
16	Thermocouple Oven			
	Production date: < 13/03/2011 (E072M...)	SSPA0154		
	Production date: ≥ 14/03/2011 (E073M...)		SSPA0623	
17	Electrode Oven	SSPA0321		
18	Spark generator	<i>Refer to page 3</i>		
19	Grill burner	SSPA0185		
20	Thermocouple grill			
	Production date: < 29/10/07 (E302G...)	SSPA0157		
	Production date: < 14/03/11 (E073M...)	SSPA0154		
	Production date: < 06/06/17 (E157U...)	SSPA0635		
	Production date: ≥ 07/05/17 (E127U...)	SSPA0636		
21	Electrode grill	SSPA0321		

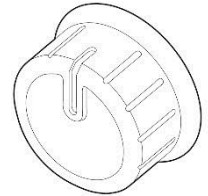
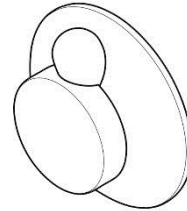
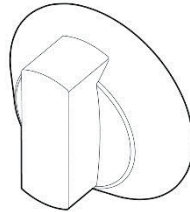
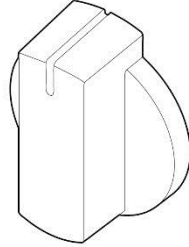
* Only applicable for models with light inside

THETFORD SPARES

SOP7XXXX Midi Prima 3

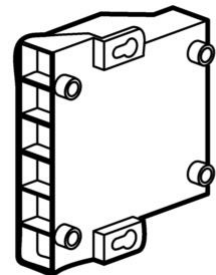
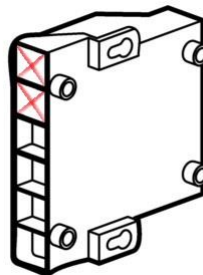
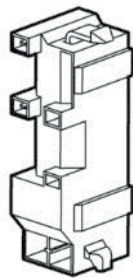
Control knobs

Control knob sets



Spare part number	SSPA0911	SSPA0912	SSSPA0913	SSPA0916
Colours available	Matt Nickel (.MNK)	Chrome- Black(.CR/BK) Satin Black(.SA/BK)	Chrome(.CR)	Black and Brushed Nickel (.BK/BNK)
Set quantity	3	3	3	3

Spark generators



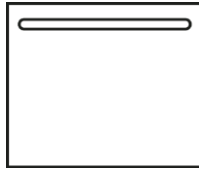
Description	2 terminals	4 terminals, 2 blanks	6 terminals
Spare part number	SSPA0302	SSPA0303	SSPA0399

THETFORD SPARES

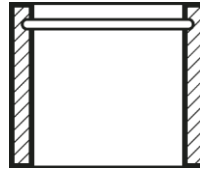
SOP7XXXX Midi Prima 3

Cladding styles

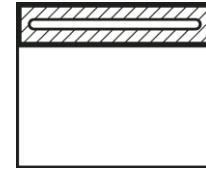
No cladding









Side cladding







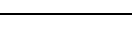
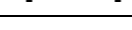
Behind handle cladding



Grill doors

Spare part number	Glass	Print	Cladding	Cladding position	Handle style	Handle colour
SMAO3415.BK2X	Clear	Black	No	N/A		Stainless
SMAO3415.BK18X	Clear	Black	No	N/A		BNK
SMAO3415.BK23X	Clear	Black	No	N/A		BNK
SMAO3415.BKX/SVS5X	Clear	Black & Silver	No	N/A		BNK
SMAO3415.MIR1X	Mirror	N/A	No	N/A		Stainless
SMAO3415.SS3X	Clear	Silver	No	N/A		Black

Drop Down oven doors

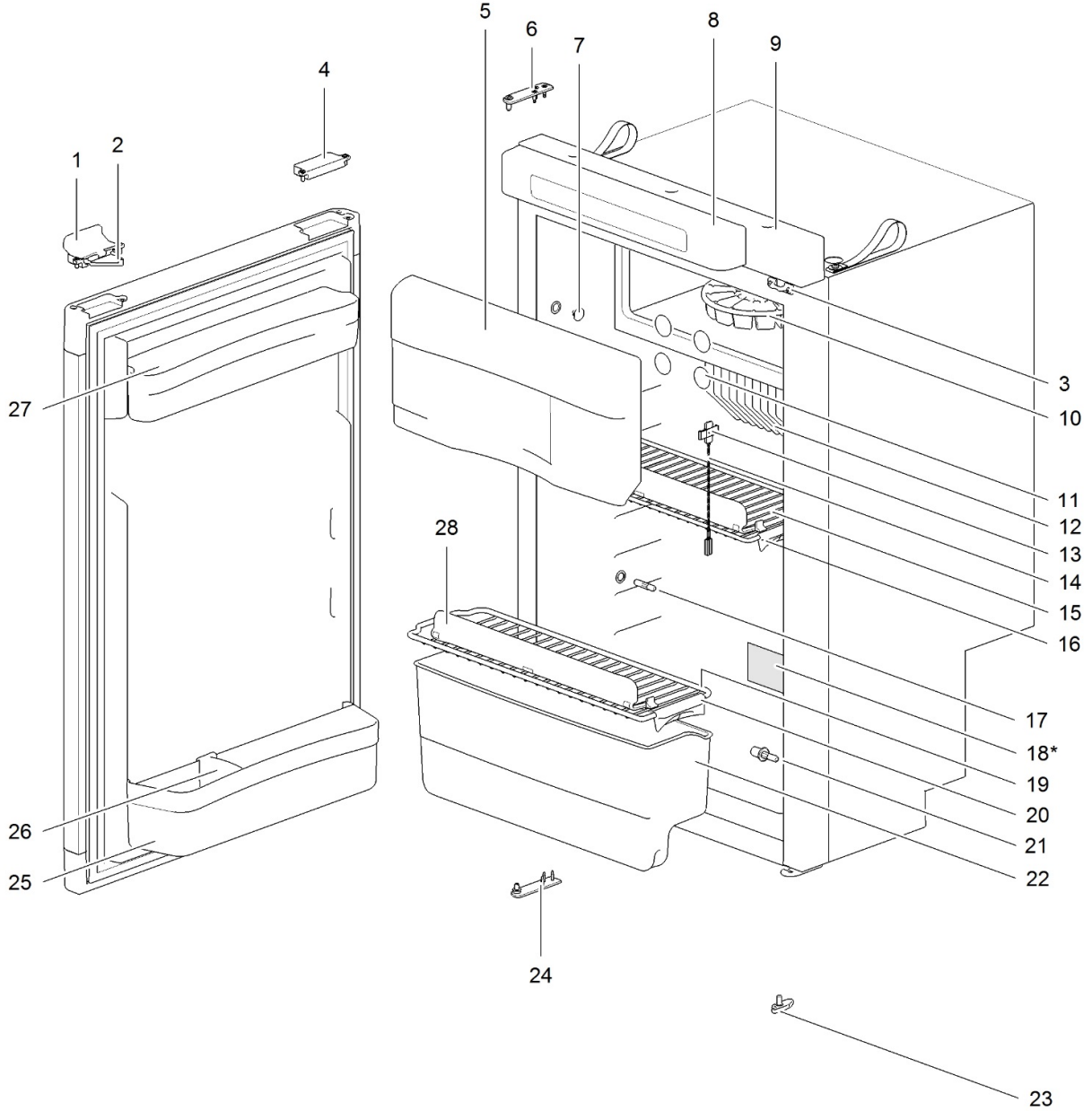
Spare part number	Glass	Print	Cladding	Cladding position	Handle style	Handle colour
SMAO3435.BK1X	Clear	Black	No	N/A		Stainless
SMAO3435.BK20X	Clear	Black	No	N/A		BNK
SMAO3435.BK23X	Clear	Black	No	N/A		BNK
SMAO3435.BKX/SVS5X	Clear	Black & Silver	No	N/A		BNK
SMAO3435.MIR1X	Mirror	N/A	No	N/A		Stainless
SMAO3435.SSX	Clear	Silver	No	N/A		Black

Lower doors

Spare part number	Glass	Print	Cladding	Cladding Position	Handle Style	Handle Colour
SMAO3450.BKX	Clear	Black	No	N/A	N/A	N/A
SMAO3450.BK/SVSX	Clear	Black & Silver	No	N/A	N/A	N/A

THETFORD SPARES

N3080 front



18*

THETFORD

Model No. _____ Type **CE** **LED** **CE**
 Serie No. _____ Climate Class I, SN

230 Volts ~ 50 Hz 13 VDC / 1.8 A (5)
 19012

Drinks Volume _____
 Beverage Volume _____
 Volume Start _____ L
 Bottle Volume _____

Freezer Volume _____
 Refrigerator Volume _____
 Volume Comp _____
 Volume Alarm _____

Net Weight _____
 Netto Weight _____
 Netto Volume _____

CE 083 BK1287 Part No. 534037

ABSORBER 180 x 154.8 g NA2CO3 x 10.1 g p.184 x 31 mm
 352019 0030_SerieF184g_EUR

CP-CMFC, FREE / FWM, FCRM FREE

SPECIMEN

ED13N1000811

442/17_11_2020/001/184x154.8x31

THETFORD SPARES

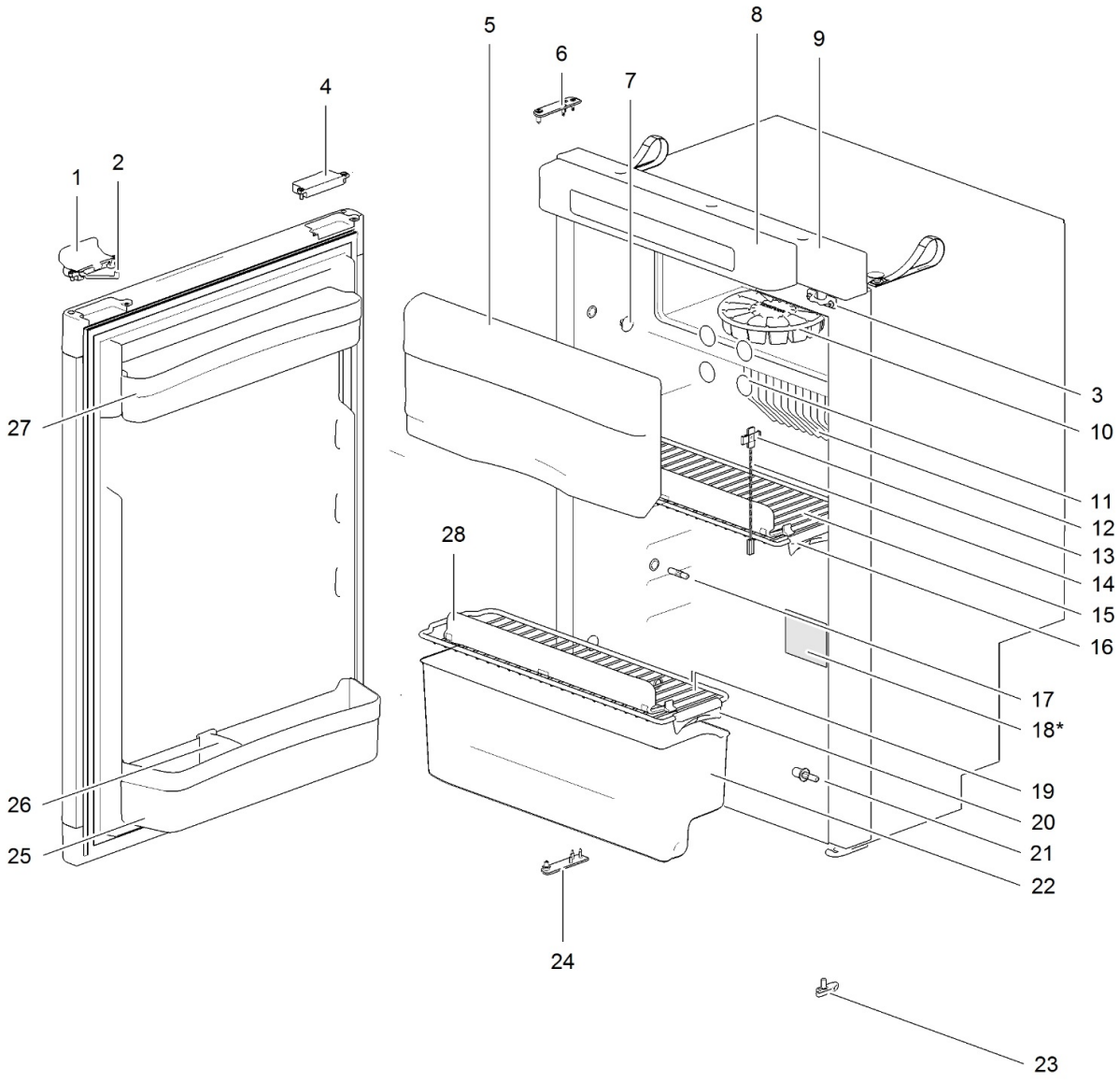
N3080 front

	Spare part number	Spare part number	Colours available
1	Latch	626985	07, 27, 136
2	Storage strap (2x)	626986	27
3	Strike plate		
4	Pocket cover		
5	Freezer door	623036	08
	Hinge freezer door (2x)	624680	08
6	Hinge plate		
7	Cap (2x)	623622	08
8	Control panel	<i>Refer to page 30</i>	
9	Mounting box		
10	Ice cube tray		
11	Cap freezer bolt (12x)	624479	08
12	Fin		
13	Fin clip	623059	
14	Thermistor	623077	
15	Shelf 416 x 176	690800	08
16	Clip shelf small	623626	08
17	Hinge pin		
18	Identification label *		
19	Shelf 416 x 130	690801	08
20	Clip shelf small	623626	08
21	Hinge pin		
22	Vegetable bin	690802	08
23	Latch bottom	624001	27
24	Hinge plate		
25	Door bin flat wide	690804	08
26	Bottle retainer	626989	12
27	Door bin flat shallow	690803	08
28	Shelf food retainer	691114	08

* With a request for information or service, always provide the serial number of the refrigerator. The serial number is the code below the barcode on the identification label.

THETFORD SPARES

N3090 front



18*



THETFORD SPARES

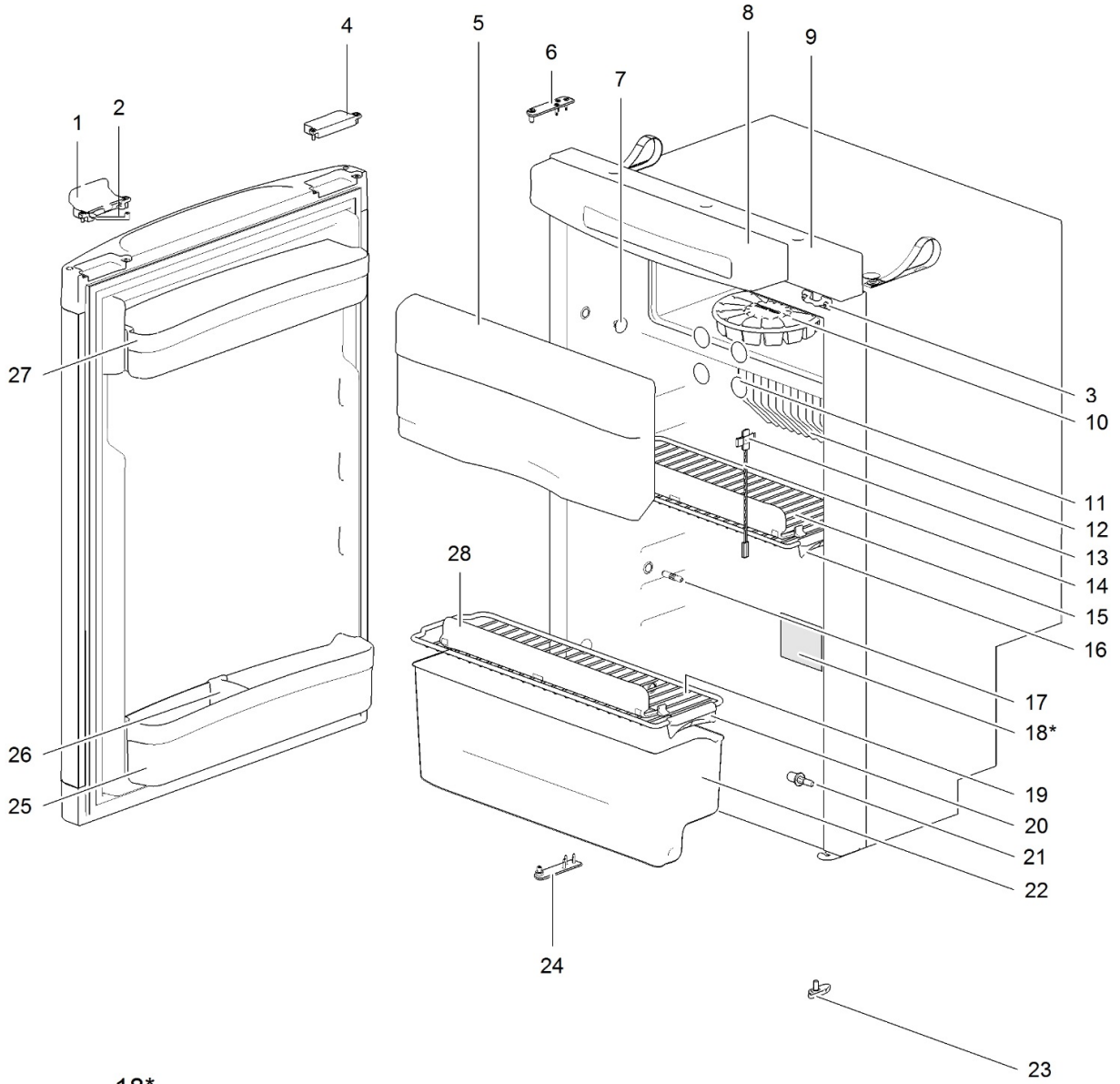
N3090 front

		Spare part number	Spare part number	Spare part number	Colours available
1	Latch		626985		07, 27, 136
2	Storage strap (2x)	626986		691468	27
3	Strike plate			≥ 31-06-2016 (E151T.....)	
4	Pocket cover				
5	Freezer door		690852		
	Hinge freezer door (2x)	624680			08
6	Hinge plate				
7	Cap (2x)	623622			08
8	Control panel	<i>Refer to page 32</i>			
9	Mounting box				
10	Ice cube tray				
11	Cap freezer bolt (12x)	624479			08
12	Fin				
13	Fin clip	623059			
14	Thermistor	623077			
15	Shelf 455 x 179	690814			08
16	Clip shelf small	623626			08
17	Hinge pin				
18	Identification label *				
19	Shelf 455 x 133	690815			08
20	Clip shelf small	623626			08
21	Hinge pin				
22	Vegetable bin	690816			08
23	Latch bottom	624001			27
24	Hinge plate				
25	Door bin flat wide	690818			08
26	Bottle retainer	626989			12
27	Door bin flat shallow	690817			08
28	Shelf food retainer	691188			08

* With a request for information or service, always provide the serial number of the refrigerator. The serial number is the code below the barcode on the identification label.

THETFORD SPARES

N3097 front



18*

THETFORD

Model No. _____ Type (C T) _____ **CE**

Serie No. _____ Climate Class _____

230 V AC, 50 Hz, 10 A, 2300 W, 22 LDC, 140 W, 230412

Storage Volume _____
 Bottle Volume 108 L
 Volume Empty _____
 Bottle Volume _____

Pressure Volume _____
 Container Size _____
 Volume Empty _____
 Volume _____

Part No. _____
 Part No. _____
 Bottle Volume _____

CE RBE2 BA3097 Part No. 234507

MSD0008 140 x 194.8 g, 1432004 - 19.1 g, 2 mm x 21 mm

CPOM HCPC, FREE / FKW, FCKW FREE

020193
 9000_SchiffPlatte_EUR

SPECIMEN

013N1000611

THETFORD SPARES

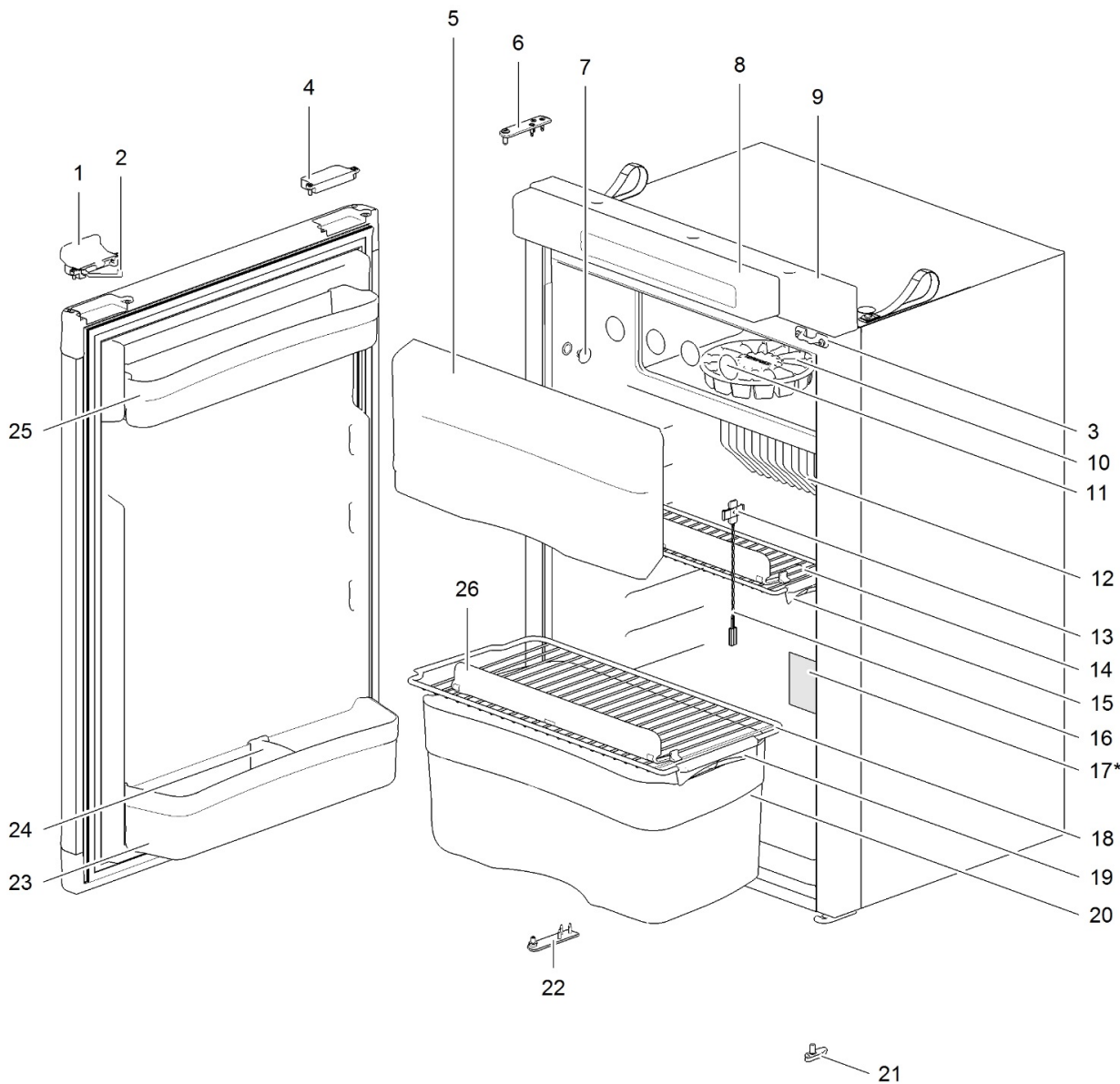
N3097 front

		Spare part number	Spare part number	Colours available
1	Latch		626985	07, 27, 136
2	Storage strap (2x)	626986		27
3	Strike plate			
4	Pocket cover			
5	Freezer door		690852	
	Hinge freezer door (2x)	624680		08
6	Hinge plate			
7	Cap (2x)	623622		08
8	Control panel	<i>Refer to page 34</i>		
9	Mounting box			
10	Ice cube tray			
11	Cap freezer bolt (12x)	624479		08
12	Fin			
13	Fin clip	623059		
14	Thermistor	623077		
15	Shelf 455 x 179	690814		08
16	Clip shelf small	623626		08
17	Hinge pin			
18	Identification label *			
19	Shelf 455 x 133	690815		08
20	Clip shelf small	623626		08
21	Hinge pin			
22	Vegetable bin	690816		08
23	Latch bottom	624001		27
24	Hinge plate			
25	Door bin flat wide	690824		08
26	Bottle retainer	626989		12
27	Door bin flat shallow	690823		08
28	Shelf food retainer	691188		08

* With a request for information or service, always provide the serial number of the refrigerator. The serial number is the code below the barcode on the identification label.

THETFORD SPARES

N3100 front



17*

SPECIMEN

Model No	Type	CE
Serie No	Domestic CL class	EN
230 V/AC 50 Hz/50 Hz/1000 W/12-15°C/1300 W/1000 W		
Gross Volume	Net Volume	Volume Bruto
108 L	108 L	108 L
Freezer Volume	Gefrierfach Volumen	Volume Netto
0	0	0
Freezer Volume	Gefrierfach Volumen	Volume Netto
0	0	0
Net Weight	Volume	Volume
102	102	102
CE 0903 003207		
ABSORBER NH3 = 154.9 g NACRO4 = 10.1 g g max = 71 bar		
CHECKING: FREE / FROV, FCOR, FROE		

9220, SerialFridge, EUR

THETFORD SPARES

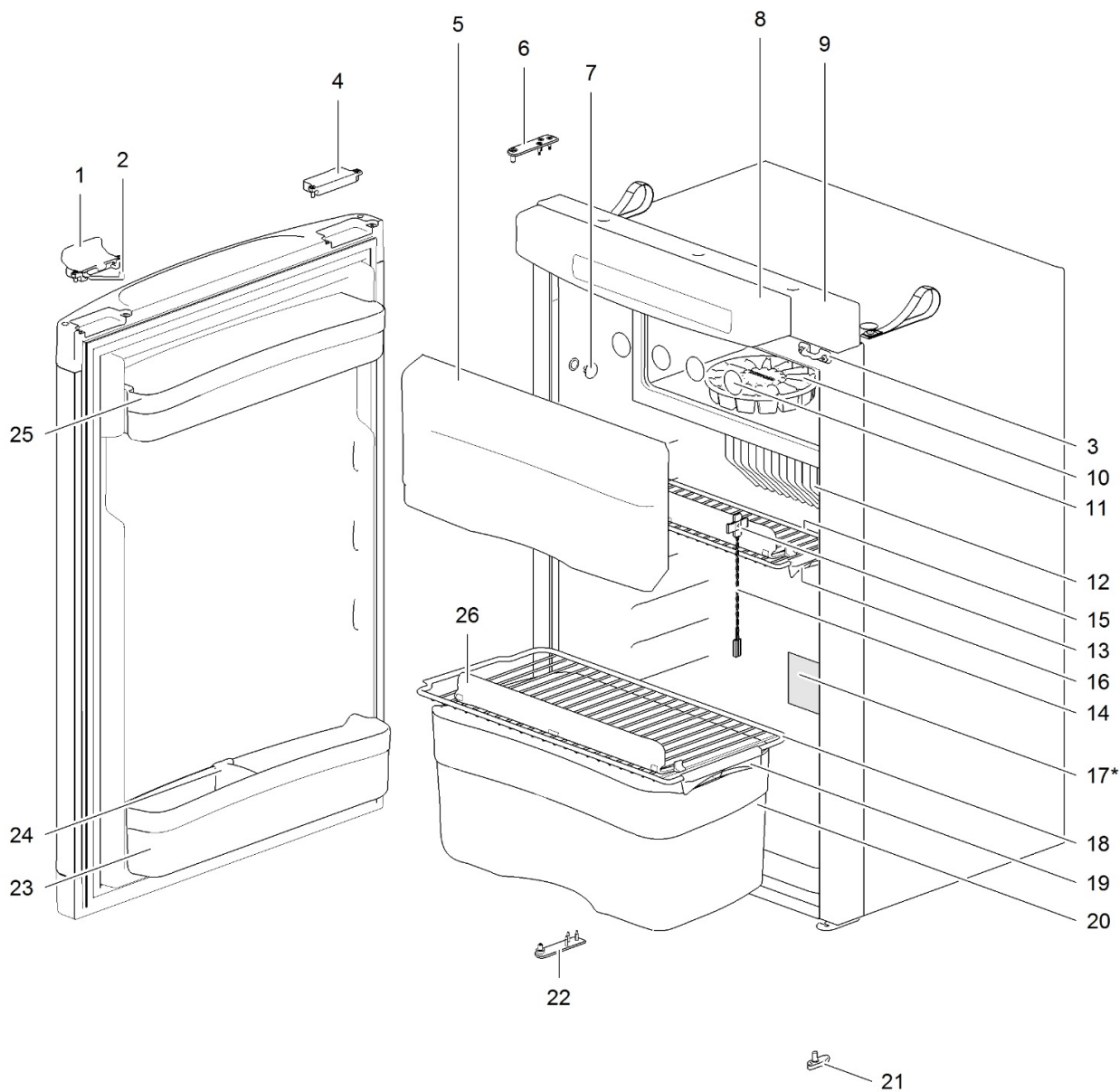
N3100 front

		Spare part number	Spare part number	Spare part number	Colours available
1	Latch		626985		07, 27, 136
2	Storage strap (2x)	626986		691468	27
3	Strike plate			≥ 31-06-2016 (E151T.....)	
4	Pocket cover				
5	Freezer door		690852		
	Hinge freezer door (2x)	624680			08
6	Hinge plate				
7	Cap (2x)	623622			08
8	Control panel	<i>Refer to page 32</i>			
9	Mounting box				
10	Ice cube tray				
11	Cap freezer bolt (12x)	624479			08
12	Fin				
13	Fin clip	623059			
14	Shelf 455 x 133	690815			08
15	Clip shelf small	623626			08
16	Thermistor	623077			
17	Identification label *				
18	Shelf 454 x 220	690828			08
19	Clip shelf large	623625			08
20	Vegetable bin	690829			08
21	Latch bottom	624001			27
22	Hinge plate				
23	Door bin flat wide	690818			08
24	Bottle retainer	626989			12
25	Door bin flat shallow	690817			08
26	Shelf food retainer	691188			08

* With a request for information or service, always provide the serial number of the refrigerator. The serial number is the code below the barcode on the identification label.

THETFORD SPARES

N3104 front



17*

		Type	CE	CE
Model No.		Dimensions	CLass	EN
Serie No.				
Gross Volume Netto Volume Volume Brül Energie Volumen	108 L 90 L 90 L 2,3 W	2011 10/12/13 150 W 130112		
Hersteller Hersteller in Vm Volumen Volumen	100 L 100 L 100 L 100 L	100 L 100 L 100 L 100 L		
Netto Volumen Volumen Volumen	100 L 100 L 100 L	100 L 100 L 100 L		
CE 8883 843207 ABSORBER NH3 = 154,0 g NASCR04 = 10,1 g p max = 21 bar	100 L 100 L 100 L	100 L 100 L 100 L		
100 L 100 L 100 L		100 L 100 L 100 L		
100 L 100 L 100 L		100 L 100 L 100 L		
100 L 100 L 100 L		100 L 100 L 100 L		

THETFORD SPARES

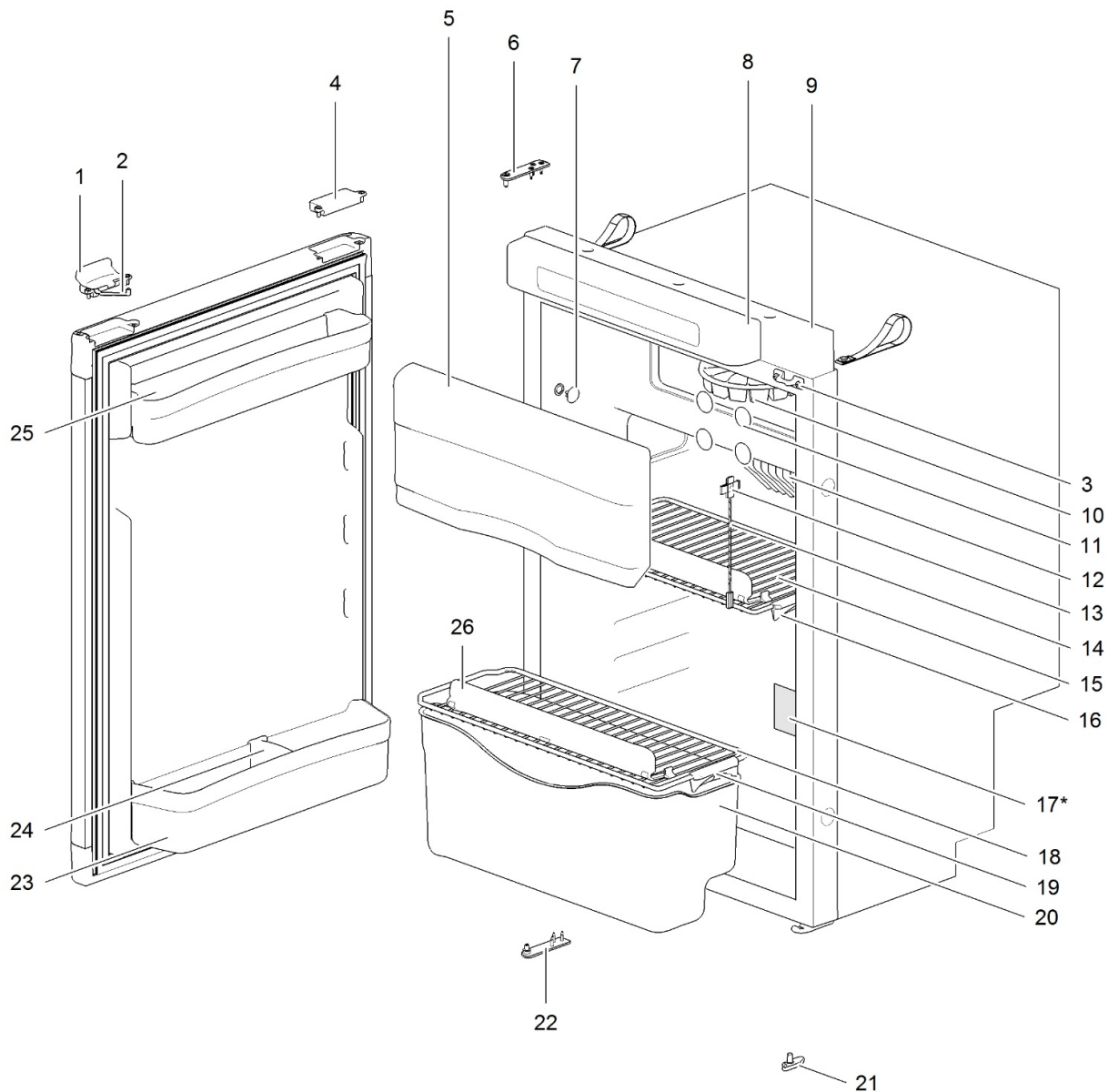
N3104 front

		Spare part number	Spare part number	Colours available
1	Latch		626985	07, 27, 136
2	Storage strap (2x)	626986		27
3	Strike plate			
4	Pocket cover			
5	Freezer door		690852	
	Hinge freezer door (2x)	624680		08
6	Hinge plate			
7	Cap (2x)	623622		08
8	Control panel	<i>Refer to page 34</i>		
9	Mounting box			
10	Ice cube tray			
11	Cap freezer bolt (12x)	624479		08
12	Fin			
13	Fin clip	623059		
14	Thermistor	623077		
15	Shelf 455 x 133	690815		08
16	Clip shelf small	623626		08
17	Identification label *			
18	Shelf 454 x 220	690828		08
19	Clip shelf large	623625		08
20	Vegetable bin	690829		08
21	Latch bottom	624001		27
22	Hinge plate			
23	Door bin curved wide	690824		08
24	Bottle retainer	626989		12
25	Door bin curved shallow	690823		08
26	Shelf food retainer	691188		08

* With a request for information or service, always provide the serial number of the refrigerator. The serial number is the code below the barcode on the identification label.

THETFORD SPARES

N3108 front



17*

SPECIMEN

Model No	Type	CE
Series No	Chrome CLAMP	ES
230 Volt/50 Hz/1150W	12 VDC / 140 W	138912
Drinks Volume		
Boilts Volume		
Washers Size	108 L	
Washers Volume		
Power Voltage		
Coloured Voltage	12000001-26-0007 milin	
Volume Control	1000000000-10000000	
Volume Volume		
Netto Volume		
Volume	102	
Netto Volume		
CE 0963 010207	Part No	034007
ABSORBER 105 x 194.5 g	1052-1054 x 193.5 g	g 1054 x 21.5ml
CFC*HCFC FREE / FRW, FCW/FW FREE	020019	0020_SocialPledge_ESR

0121N1000011

THETFORD SPARES

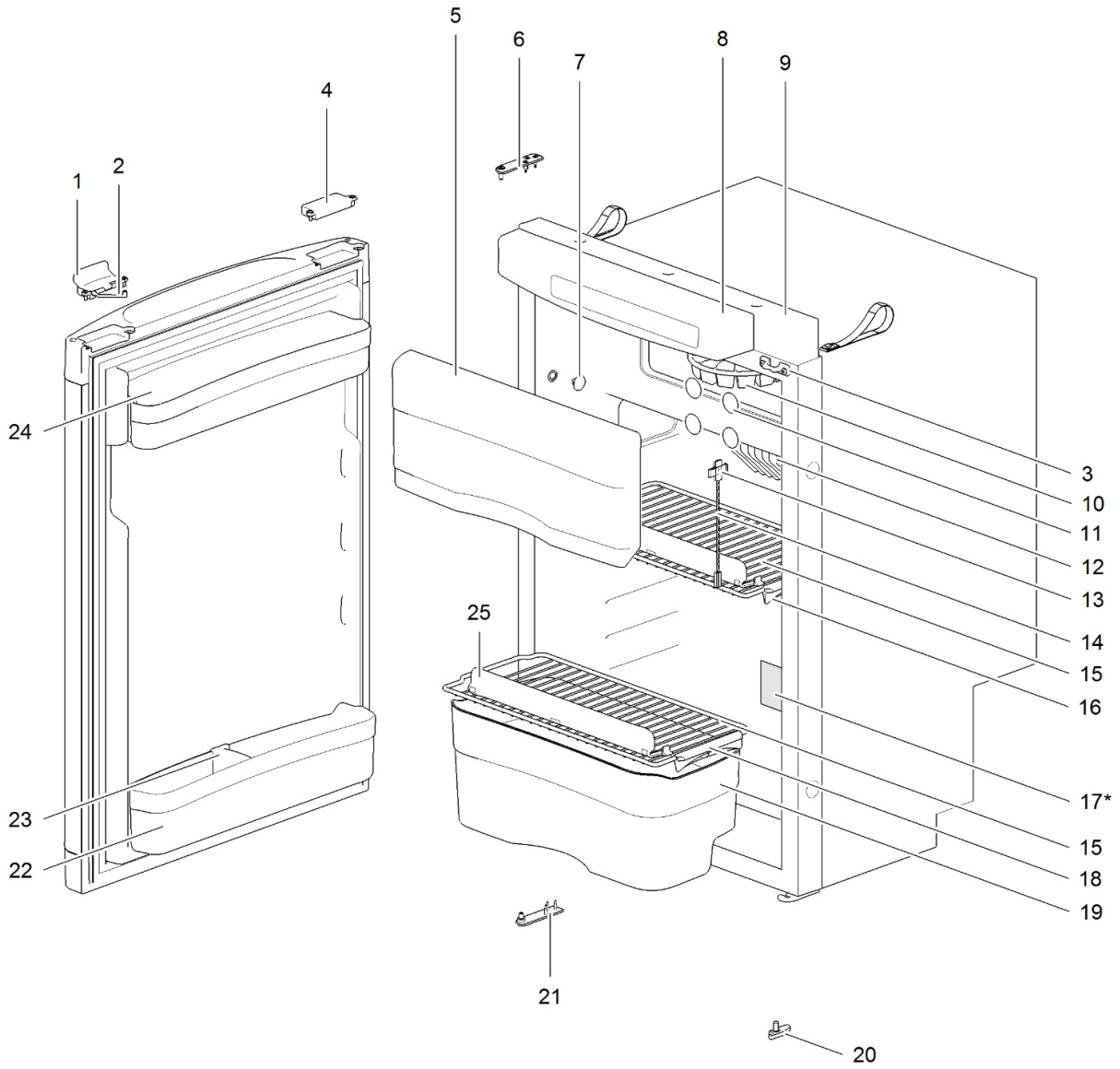
N3108 front

		Spare part number	Spare part number	Spare part number	Colours available
1	Latch		626985		07, 27, 136
2	Storage strap (2x)	626986		691468	27
3	Strike plate			≥ 31-06-2016 (E151T.....)	
4	Pocket cover				
5	Freezer door		690852		
	Hinge freezer door (2x)	624680			08
6	Hinge plate				
7	Cap (2x)	623622			08
8	Control panel	<i>Refer to page 32</i>			
9	Mounting box				
10	Ice cube tray				
11	Cap freezer bolt (12x)	624479			08
12	Fin				
13	Fin clip	623059			
14	Thermistor	623077			
15	Shelf 454 x 205	690831			08
16	Clip shelf large	623625			08
17	Identification label *				
18	Shelf 455 x 174	690832			08
19	Clip shelf small	623626			08
20	Vegetable bin	690833			08
21	Latch bottom	624000			27
22	Hinge plate				
23	Door bin flat wide	690818			08
24	Bottle retainer	626989			12
25	Door bin flat shallow	690817			08
26	Shelf food retainer	691188			08

* With a request for information or service, always provide the serial number of the refrigerator. The serial number is the code below the barcode on the identification label.

THETFORD SPARES

N3112 front



17*

THETFORD Model No. _____ Type E13 Serie No. _____	
ZUSATZ: 7, 8, 9, 10, 11, 12, 13, 14, 15, 16, 17, 18, 19, 20, 21, 22, 23, 24, 25	
Gesamte Volumen Braukapazität Volumen Blauf Braukapazität	100 L 23 L 23 L 23 L
Promotor Volumen Gutfüllbarkeit V Volumen Comp Volumen	100 L 23 L 23 L 23 L
Max. Gewicht Volumen Max. Gewicht	100 L 23 L 23 L 23 L
CE 0002 000007	
ABSORBER: 100 x 100 g NACHFÜLL: 10 L g max = 21 kg	
LFDH: HCF, FREE / PHW, FCKW-FREE 620019 0030, DruckF, Höhe, EUP	

THETFORD SPARES

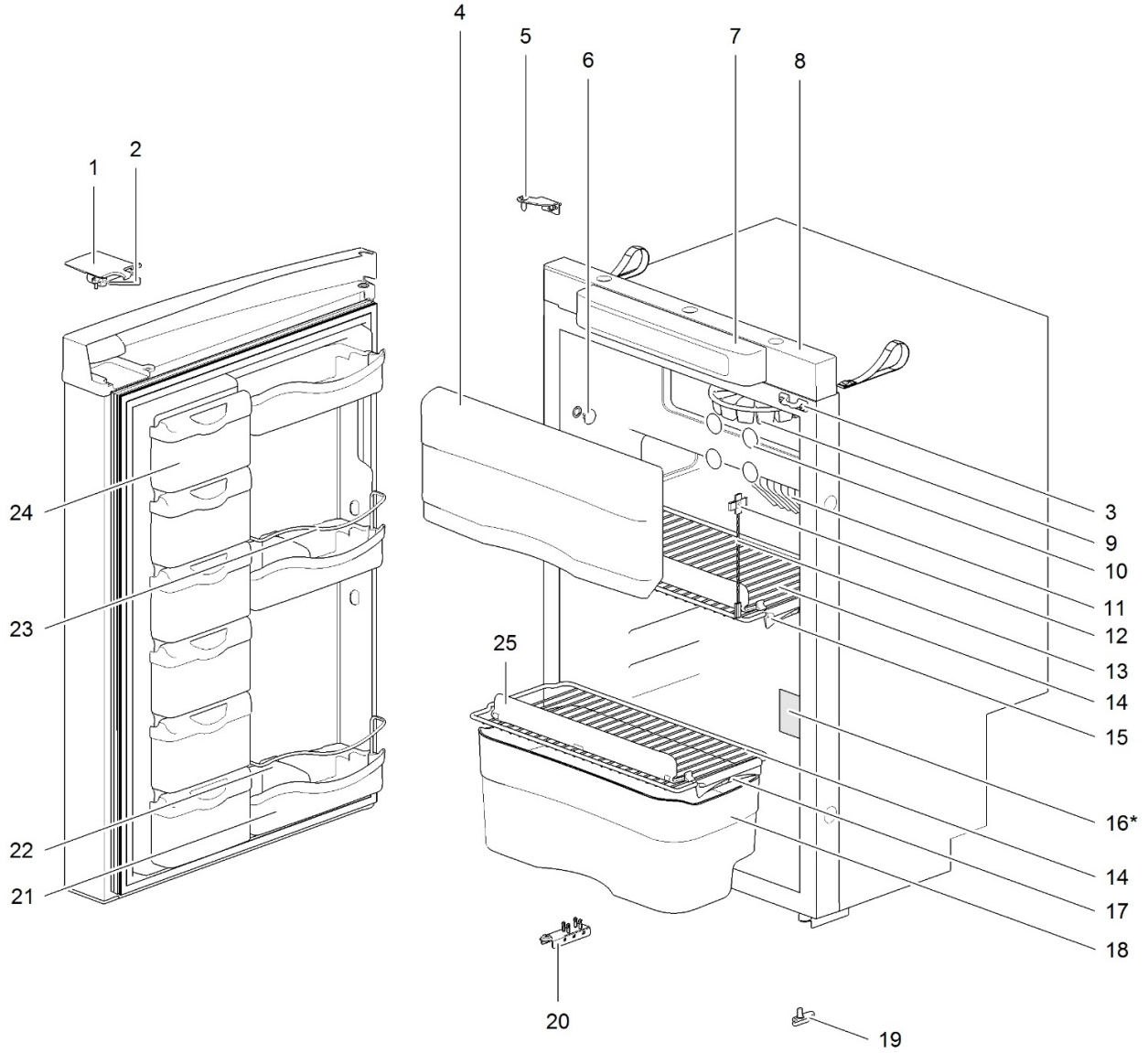
N3112 front

		Spare part number	Spare part number	Colours available
1	Latch		626985	07, 27, 136
2	Storage strap (2x)	626986		27
3	Strike plate			
4	Pocket cover			
5	Freezer door		690852	
	Hinge freezer door (2x)	624680		08
6	Hinge plate			
7	Cap (2x)	623622		08
8	Control panel LED	<i>Refer to page 34</i>		
9	Mounting box			
10	Ice cube tray			
11	Cap freezer bolt (12x)	624479		08
12	Fin			
13	Fin clip	623059		
14	Thermistor	623077		
15	Shelf 454 x 205	690831		08
16	Clip shelf large	623625		08
17	Identification label *			
18	Clip shelf large	623625		08
19	Vegetable bin	690834		08
20	Latch bottom	624001		27
21	Hinge plate			
22	Door bin curved wide	690824		08
23	Bottle retainer	626989		12
24	Door bin curved shallow	690823		08
25	Shelf food retainer	691188		08

* With a request for information or service, always provide the serial number of the refrigerator. The serial number is the code below the barcode on the identification label.

THETFORD SPARES

N3115 front



16*

THETFORD Model No. _____ Type CE EN Serie No. _____	
230 VAC - 50/60 Hz - 135 W - 13 VDC - 140 W CE 0003 EN2207	
Drink Volume 20 liter Volume Brew 100 L Brew Volume	(3) 0300231-28-2027 motor 0000 0300231-28-2027
Power Volume 20 liter Volume Brew 100 L Brew Volume	CE 0003 EN2207 Part No. 034807
ABSORBENT 9031 - 194.5 g MASCORBA 101 - 101 g g/m ² x 25 bar	020019 0030_0000F000p_EUR

SPECIMEN

THETFORD SPARES

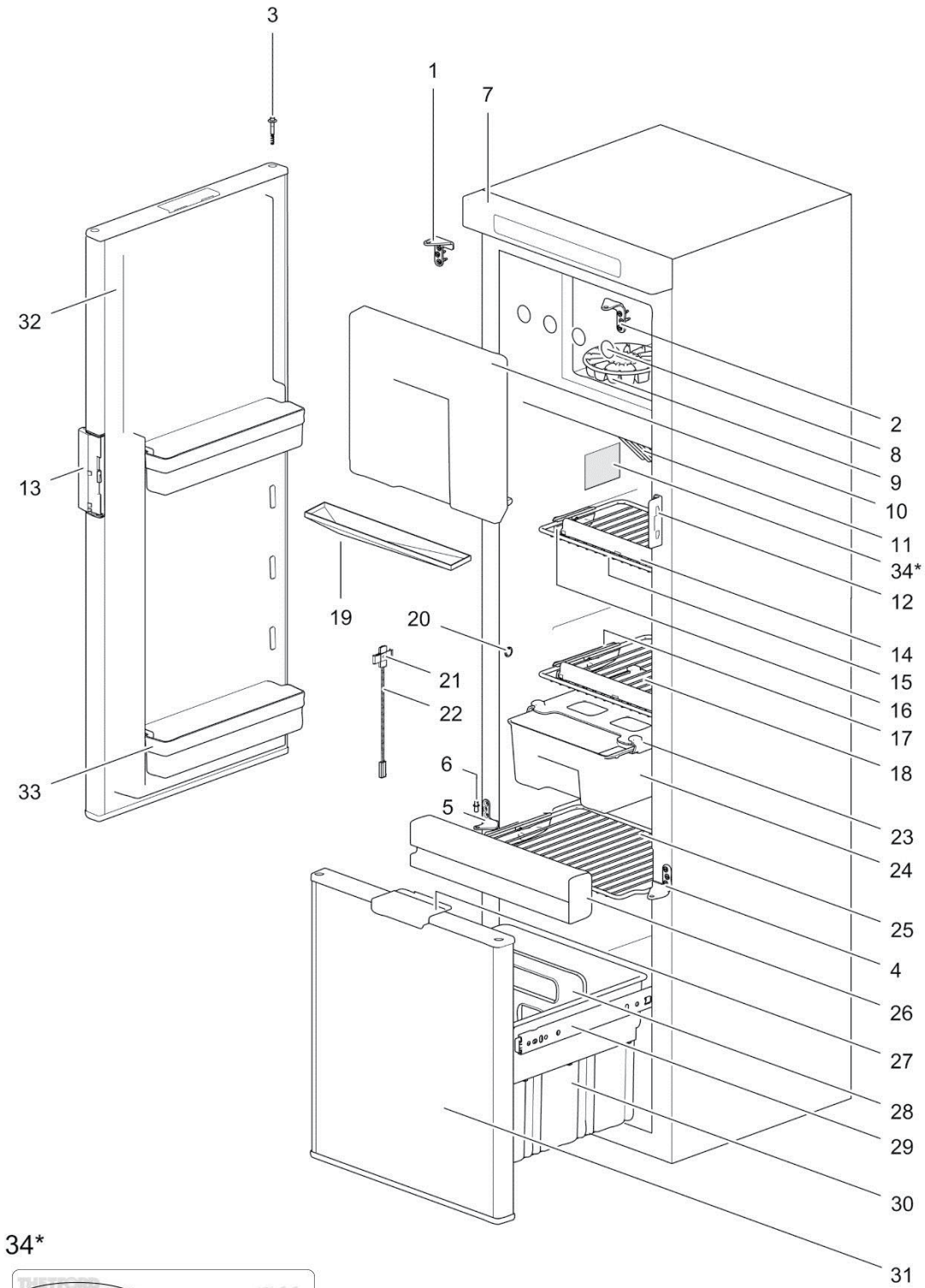
N3115 front

		Spare part number	Spare part number	Colours available
1	Latch		629744	90
2	Storage strap (2x)	626986		27
3	Strike plate			
4	Freezer door		690852	
	Hinge freezer door (2x)	624680		08
5	Hinge plate			
6	Cap (2x)	623622		08
7	Control panel	<i>Refer to page 36</i>		
8	Mounting box			
9	Ice cube tray			
10	Cap freezer bolt (12x)	624479		08
11	Fin			
12	Fin clip	623059		
13	Thermistor	623077		
14	Shelf 454 x 205	690831		08
15	Clip shelf large	623625		08
16	Identification label *			
17	Clip shelf large	623625		08
18	Vegetable bin	690834		08
19	Latch bottom	629721		
20	Hinge plate			
21	Door bin	629745		12
22	Bottle retainer	626989		12
23	Rail			
24	Door bin small	629747		12
25	Shelf food retainer	691188		08

* With a request for information or service, always provide the serial number of the refrigerator. The serial number is the code below the barcode on the identification label.

THETFORD SPARES

N3141 front



34*

SPECIMEN

Model No	Type	CE
Serie No	Climate Class	
230 VAC 50-60 Hz / 50 W / 100 VDC / 140 W / 150 W		
Grünke Volumen	Grünke Klasse	Grünke Klasse
Grünke Volumen	Grünke Klasse	Grünke Klasse
Grünke Volumen	Grünke Klasse	Grünke Klasse
Produktionen		
Schneefrei	Grünke Klasse	Grünke Klasse
Volumen	Grünke Klasse	Grünke Klasse
Netto	Grünke Klasse	Grünke Klasse
Volumen	Grünke Klasse	Grünke Klasse
Netto	Grünke Klasse	Grünke Klasse
Volumen	Grünke Klasse	Grünke Klasse
CE 0063 DR037		
ABBORBER - 140 x 114 x 103 cm - 100 W / 100 W - 100 W		
CPD-MFC; FREE FRESH; FCW; FRI		

Part No: 53487

THETFORD SPARES

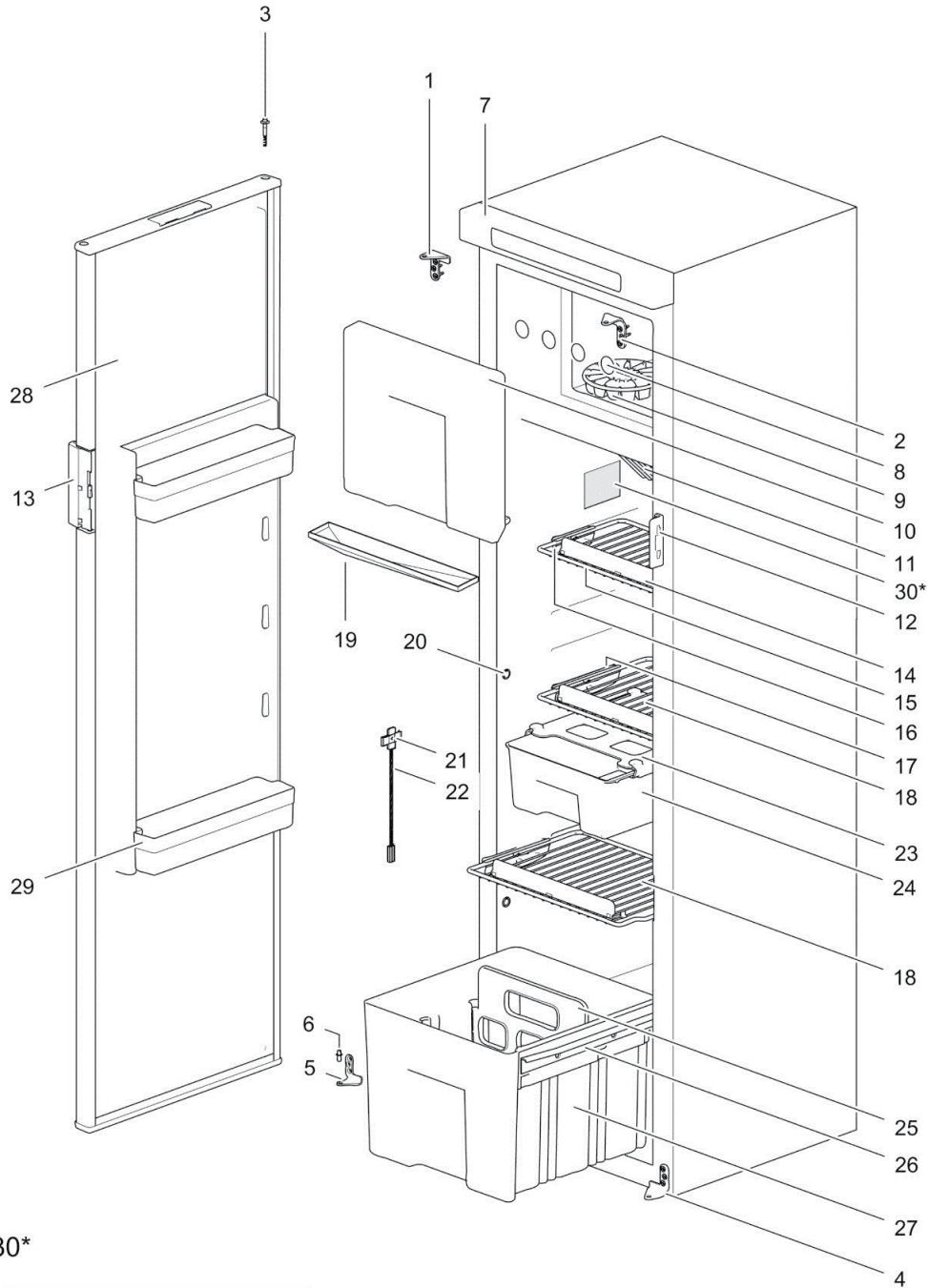
N3141 front

	Spare part number	Spare part number	Colours available
1	Hinge plate top left		
2	Hinge plate top right		
3	Hinge pin (including spring)	691111	27
4	Hinge plate bottom right	< 01-05-2015	
5	Hinge plate bottom left	691456	
6	Hinge pin bottom	≥ 01-05-2015	
7	Control panel	<i>Refer to page 38</i>	
8	Cap freezer bolt (12x)	624479	08
9	Ice cube tray		
10	Freezer door		
	Hinge freezer door (2x)	624680	691112 08
11	Fin		
12	Door lock plate		
13	Door handle		691113
14	Shelf food retainer	691114	08
15	Shelf 340 x 182	691115	08
16	Clip shelf small	623626	08
17	Clip shelf large	623625	08
18	Shelf 340 x 241	691116	08
19	Drip tray	691885	08
20	Cap (2x)	623622	08
21	Fin clip	623059	
22	Thermistor	623077	
23	Guiding cover	691118	08
24	Slide-out box	691119	08, 12
25	Shelf 340 x 268	691117	08
26	Divider bar		
27	Drawer handle	691287	27
28	Drawer divider	691120	12
29	Drawer guides	691123	
30	Drawer bin	691288	08
31	Drawer door	690521	27R
32	Cabinet door	690519	27R
33	Door bin	691121	08, 12
34	Identification label*		

* With a request for information or service, always provide the serial number of the refrigerator. The serial number is the code below the barcode on the identification label.

THETFORD SPARES

N3142 front



30*



THETFORD SPARES

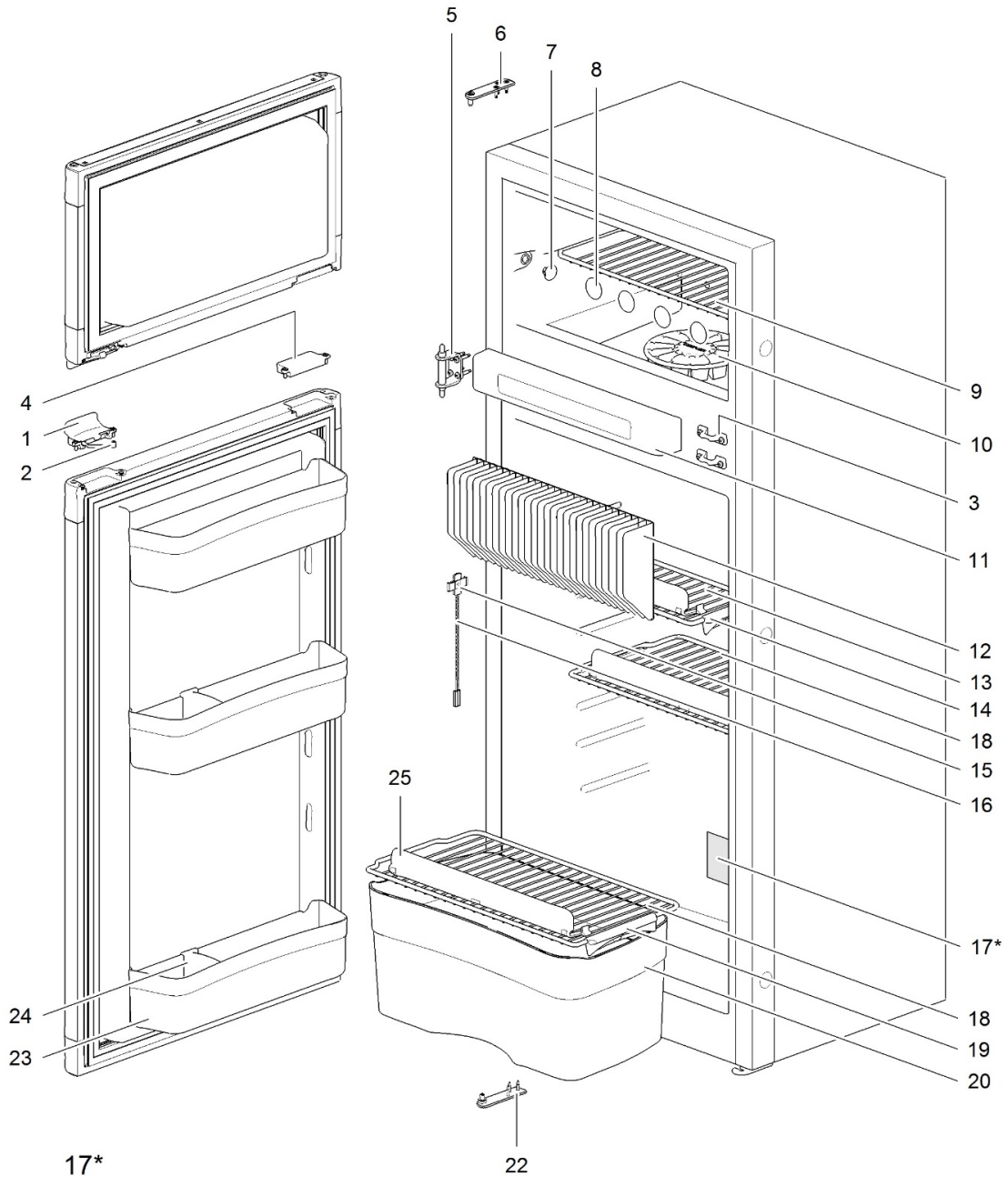
N3142 front

		Spare part number	Spare part number	Colours available
1	Hinge plate left	691111 < 01-05-2015	691456 ≥ 01-05-2015	27
2	Hinge plate right			
3	Hinge pin (including spring)			
4	Hinge plate bottom right			
5	Hinge plate bottom left			
6	Hinge pin bottom			
7	Control panel	<i>Refer to page 38</i>		
8	Cap freezer bolt (12x)	624479		08
9	Ice cube tray			
10	Freezer door		691112	08
	Hinge freezer door (2x)	624680		
11	Fin			
12	Door lock plate		691113	
13	Door handle			
14	Shelf food retainer	691114		08
15	Shelf 340 x 182	691115		08
16	Clip shelf small	623626		08
17	Clip shelf large	623625		08
18	Shelf 340 x 241	691116		08
19	Drip tray	691885		08
20	Cap (2x)	623622		08
21	Fin clip	623059		
22	Thermistor	623077		
23	Guiding cover	691118		08
24	Slide-out box	691119		08, 12
25	Drawer divider	691120		12
26	Drawer guides	691122		
27	Drawer bin	691457		08
28	Cabinet door	690517		27R
29	Door bin	691121		08, 12
30	Identification label*			

* With a request for information or service, always provide the serial number of the refrigerator. The serial number is the code below the barcode on the identification label.

THETFORD SPARES

N3145 front

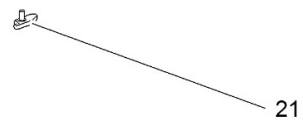


17*

		Type	E 11	CE
Model No		Ultimate Class	201	2002
Serie No				
230 VAC/50/60 Hz/1.6A/13 VDC/1.140 W				
Stroke Volume				530153
Stroke Volume	108 L			
Volume Brat	25			
Stroke Volume				
Pressure Volume	0.30031 28-3007 mbar			
Guinea-fach Vial	1280-0400011 20 mbar			
Volume Volume				
Stroke Volume	102			
Stroke Volume				
Stroke Volume				
CE 0003 0400011	Part No.	034007		
ABSORBER	940 x 154.9 g	NA2CR04	10.1 g	0.200 x 21 bar
CPCK MFCG, FREE / FROV, FCKW FSD				020019
				0030_3000E100p, EUR

SPECIMEN

E013N1000611



THETFORD SPARES

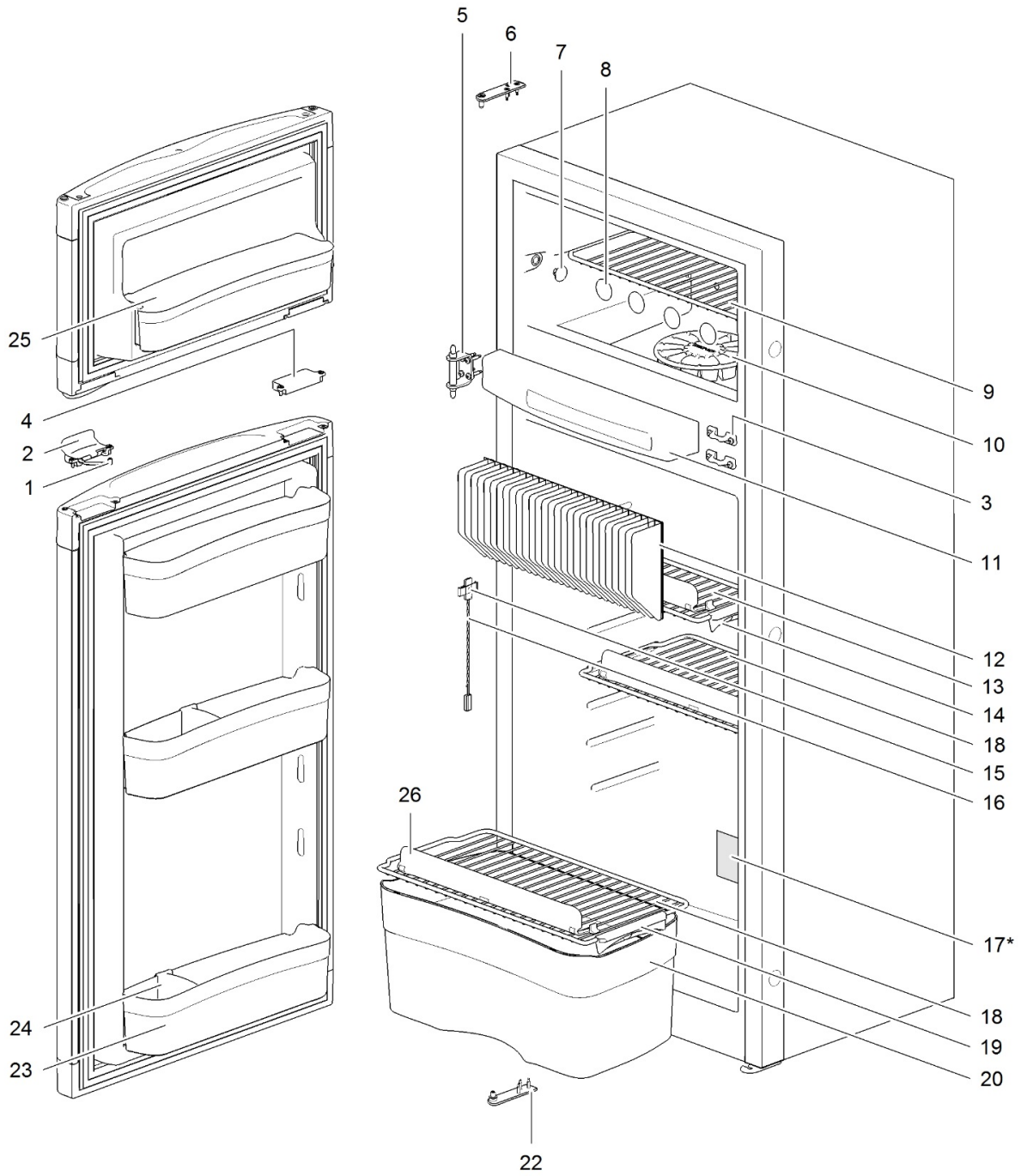
N3145 front

		Spare part number	Spare part number	Spare part number	Colours available
1	Latch		626985		07, 27, 136
2	Storage strap (2x)	626986		691468	27
3	Strike plate			≥ 31-06-2016 (E151T.....)	
4	Pocket cover				
5	Hinge center				
6	Hinge plate				
7	Cap (2x)	623622			08
8	Cap freezer bolt (12x)	624479			08
9	Shelf freezer 405 x 188.5	690836			08
10	Ice cube tray				
11	Control panel	<i>Refer to page 32</i>			
12	Fin				
13	Shelf 428.5 x 158	690837			08
14	Clip shelf small	623626			08
15	Fin clip	623059			
16	Thermistor	623077			
17	Identification label *				
18	Shelf 427.5 x 218.3	690838			08
19	Clip shelf large	623625			08
20	Vegetable bin	690829			08
21	Latch bottom	624001			27
22	Hinge plate				
23	Door bin flat wide	690804			08
24	Bottle retainer	626989			12
25	Shelf food retainer	691188			08

* With a request for information or service, always provide the serial number of the refrigerator. The serial number is the code below the barcode on the identification label.

THETFORD SPARES

N3150 front



17*

THETFORD

Model No. _____ Type L1 L2
 Serie No. _____ Creative Class 20 25

220 Volt 50/60 Hz 14.5 A 14.5 A 14.5 A 14.5 A 14.5 A 14.5 A

Grease Volume _____
 Brakes Volume _____
 Volume Blad _____
 Brake Volume _____

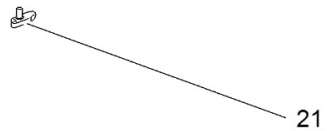
Pressure Volume _____
 DiffPressure V _____
 Volume Comp _____
 Volume _____

Year _____
 Model _____
 Barcode:  87131000611

CE 002 291207 25007

ABSORBER 100 x 150 g NAS304 x 10.5 g p. max = 21 bar

©2007 Thetford, Inc. www.thetford.com



THETFORD SPARES

N3150 front

		Spare part number	Spare part number	Colours available
1	Storage strap (2x)	626986		27
2	Latch		626985	07, 27, 136
3	Strike plate			
4	Pocket cover			
5	Hinge center			
6	Hinge plate			
7	Cap (2x)	623622		08
8	Cap freezer bolt (12x)	624479		08
9	Shelf freezer 405 x 188.5	690836		08
10	Ice cube tray			
11	Control panel	<i>Refer to page 34</i>		
12	Fin			
13	Shelf 428.5 x 158	690837		08
14	Clip shelf small	623626		08
15	Fin clip	623059		
16	Thermistor	623077		
17	Identification label *			
18	Shelf 427.5 x 218.3	690838		08
19	Clip shelf large	623625		08
20	Vegetable bin	690829		08
21	Latch bottom	624001		27
22	Hinge plate			
23	Door bin	690842		08
	Door bin	626977		12
24	Bottle retainer	626989		12
25	Door bin curved shallow	690841		08
26	Shelf food retainer	691188		08

* With a request for information or service, always provide the serial number of the refrigerator. The serial number is the code below the barcode on the identification label.

THETFORD SPARES

N3170 front

		Spare part number	Spare part number	Spare part number	Colours available
1	Storage strap (2x)	626986	626985	691468 ≥ 31-06-2016 (E151T.....)	27
2	Latch				07, 27, 136
3	Strike plate				
4	Pocket cover				
5	Hinge center				
6	Hinge plate				
7	Cap (2x)	623622			08
8	Cap freezer bolt (12x)	624479			08
9	Shelf freezer 404 x 238.5	690843			08
10	Ice cube tray				
11	Control panel	<i>Refer to page 32</i>			
12	Fin				
13	Shelf 428.4 x 232.3	690844			08
14	Clip shelf large	623625			08
15	Fin clip	623059			
16	Thermistor	623077			
17	Identification label *				
18	Shelf 428.4 x 282.3	690845			08
19	Clip shelf large	623625			08
20	Vegetable bin	690829			08
21	Latch bottom	624001			27
22	Hinge plate				
23	Door bin flat wide	690804			08
24	Bottle retainer	626989			12
25	Shelf food retainer	691188			08

* With a request for information or service, always provide the serial number of the refrigerator. The serial number is the code below the barcode on the identification label.

THETFORD SPARES

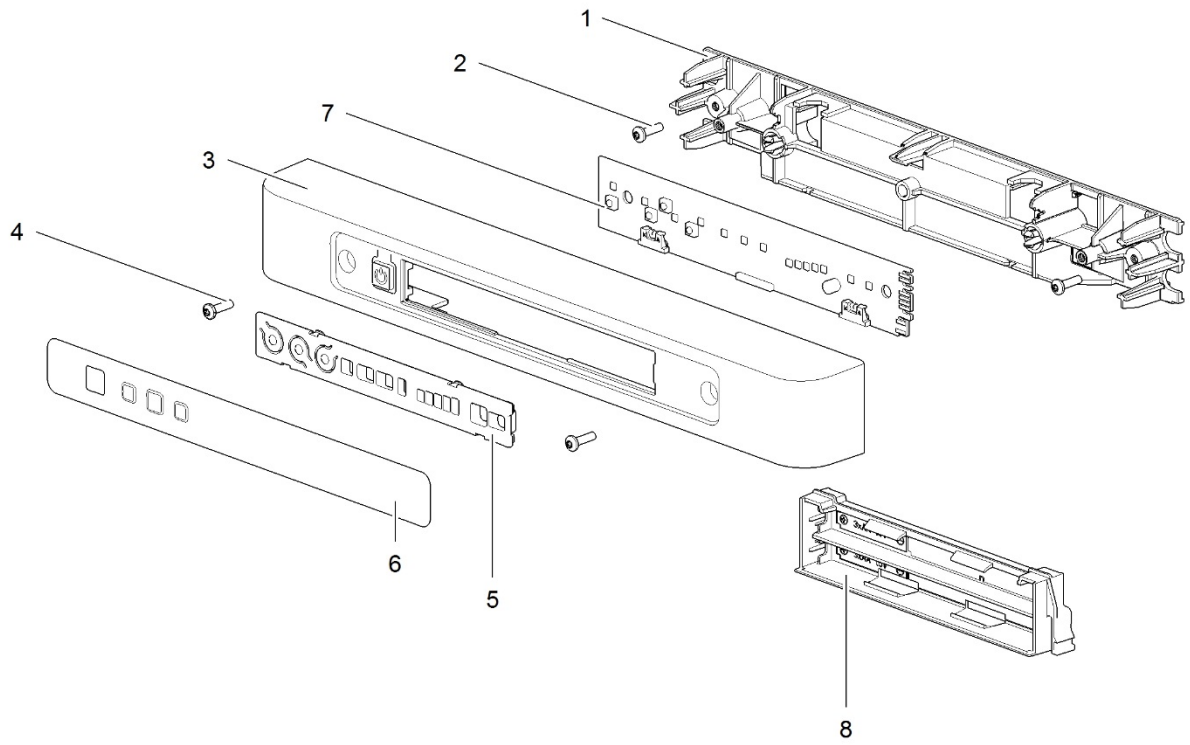
N3175 front

		Spare part number	Spare part number	Colours available
1	Storage strap (2x)	626986		27
2	Latch		626985	07, 27, 136
3	Strike plate			
4	Pocket cover			
5	Hinge center			
6	Hinge plate			
7	Cap (2x)	623622		08
8	Cap freezer bolt (12x)	624479		08
9	Shelf freezer 404 x 238.5	690843		08
10	Ice cube tray			
11	Control panel	<i>Refer to page 34</i>		
12	Fin			
13	Shelf 428.4 x 232.3	690844		08
14	Clip shelf large	623625		08
15	Fin clip	623059		
16	Thermistor	623077		
17	Identification label *			
18	Shelf 428.4 x 282.3	690845		08
19	Clip shelf large	623625		08
20	Vegetable bin	690829		08
21	Latch bottom	624001		27
22	Hinge plate			
23	Door bin curved wide	690842		08
24	Bottle retainer	626989		12
25	Door bin curved shallow	690841		08
26	Shelf food retainer	691188		08

* With a request for information or service, always provide the serial number of the refrigerator. The serial number is the code below the barcode on the identification label.

THETFORD SPARES

N3080 control panel



THETFORD SPARES

N3080 control panel

		Spare part number	Spare part number	Spare part number	Colours available
1	Technical panel flat ¹	690806			
2	Screws				
3	Housing flat ¹	690807			07, 27, 136
4	Screws				
5	Overlay LED		691105		
6	Sticker LED	691106			
7	PCB LED DM			691126	
	≥ 20-06-2015 (E171S.....)				
	< 20-06-2015 (E171S.....)	691138			
		<i>LED version kit²</i>			
8	Battery hatch				
	Battery pack	690225			07, 27

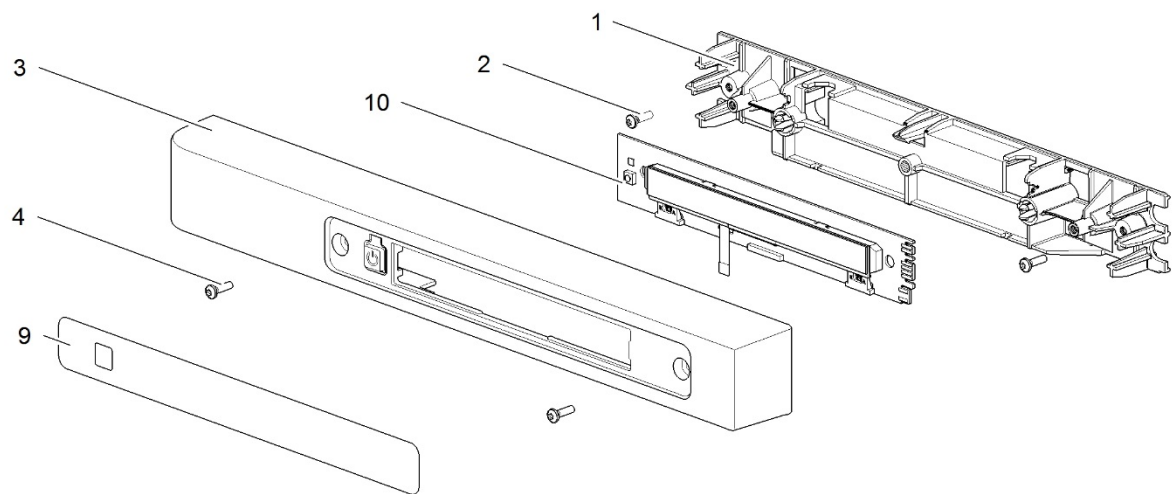
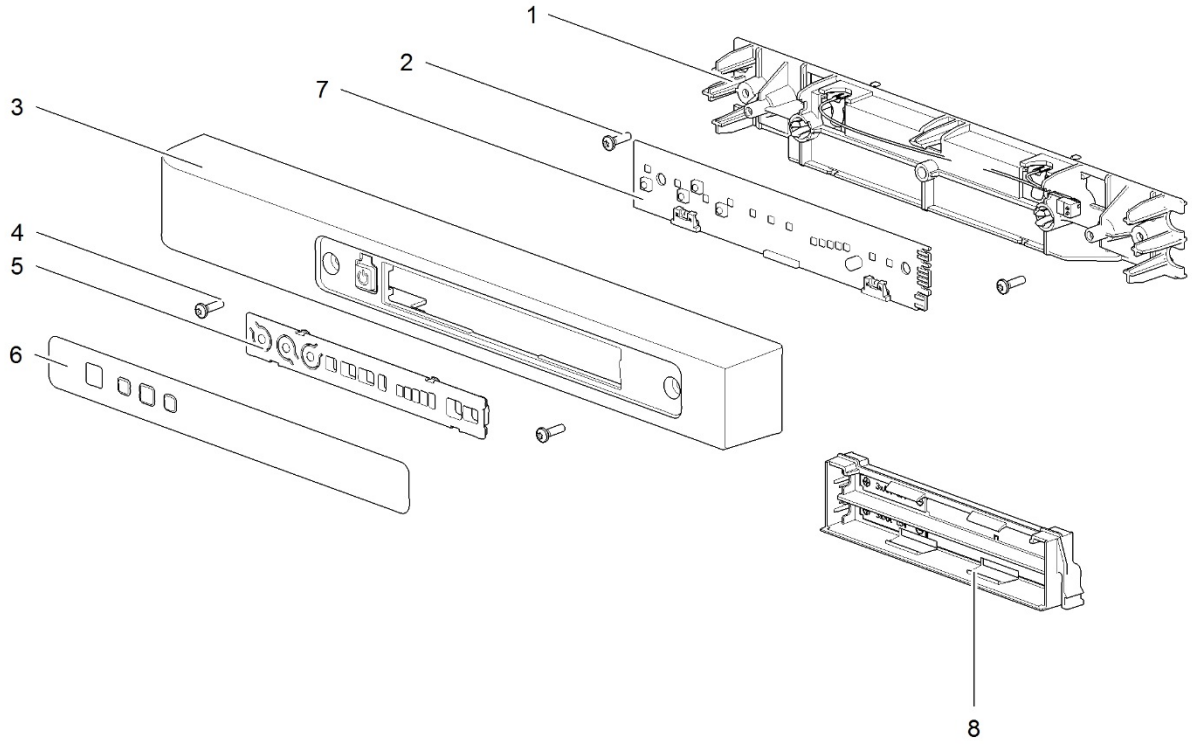
Order also spare part 'Sticker LED' (#6) with this spare part number

LED version kit contains:

- Power control board
- PCB LED Displaymodule
- Sticker LED
- Overlay LED
- Conversion cable

THETFORD SPARES

N3090-N3100-N3108-N3145-N3170 control panel



THETFORD SPARES

N3090-N3100-N3108-N3145-N3170 control panel

		Spare part number	Spare part number	Spare part number	Colours available
1	Technical panel flat ^{1/2}	690806			
2	Screws				
3	Housing flat ^{1/2}				
	right hinged flat door 10 mm ≥ 31-05-2016 (E151T.....)	691463			
	right hinged	690819			07, 27, 136
	left hinged	690820			07, 27, 136
	left hinged flat door 10 mm ≥ 31-05-2016 (E151T.....)	691464			
4	Screws				
5	Overlay LED		691105		
6	Sticker LED	691106			
7	PCB LED DM			691126	
	≥ 20-06-2015 (E171S.....)				
	< 20-06-2015 (E171S.....)	691138			
		<i>LED version kit³</i>			
8	Battery hatch				
	Battery pack	690225			07, 27
9	Sticker LCD	691110			
10	PCB LCD DM		691108		
	≥ 20-06-2015 (E171S.....)				
	< 20-06-2015 (E171S.....)	691139			
		<i>LCD version kit⁴</i>			

¹ Order also spare part 'Sticker LED' (#6) with this spare part number for a LED-version

² Order also spare part 'Sticker LCD' (#9) with this spare part number for a LCD-version

³ LED version kit contains:

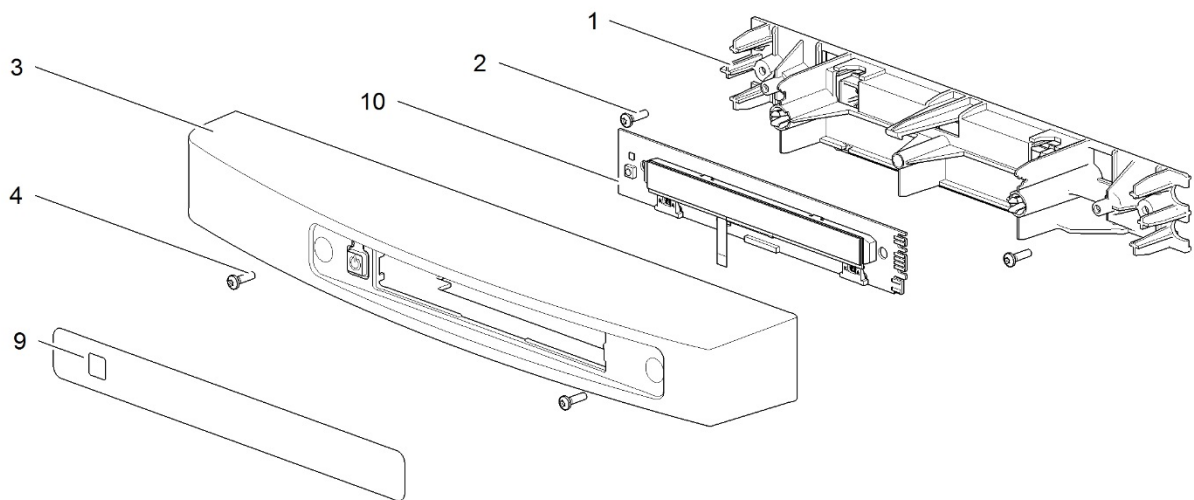
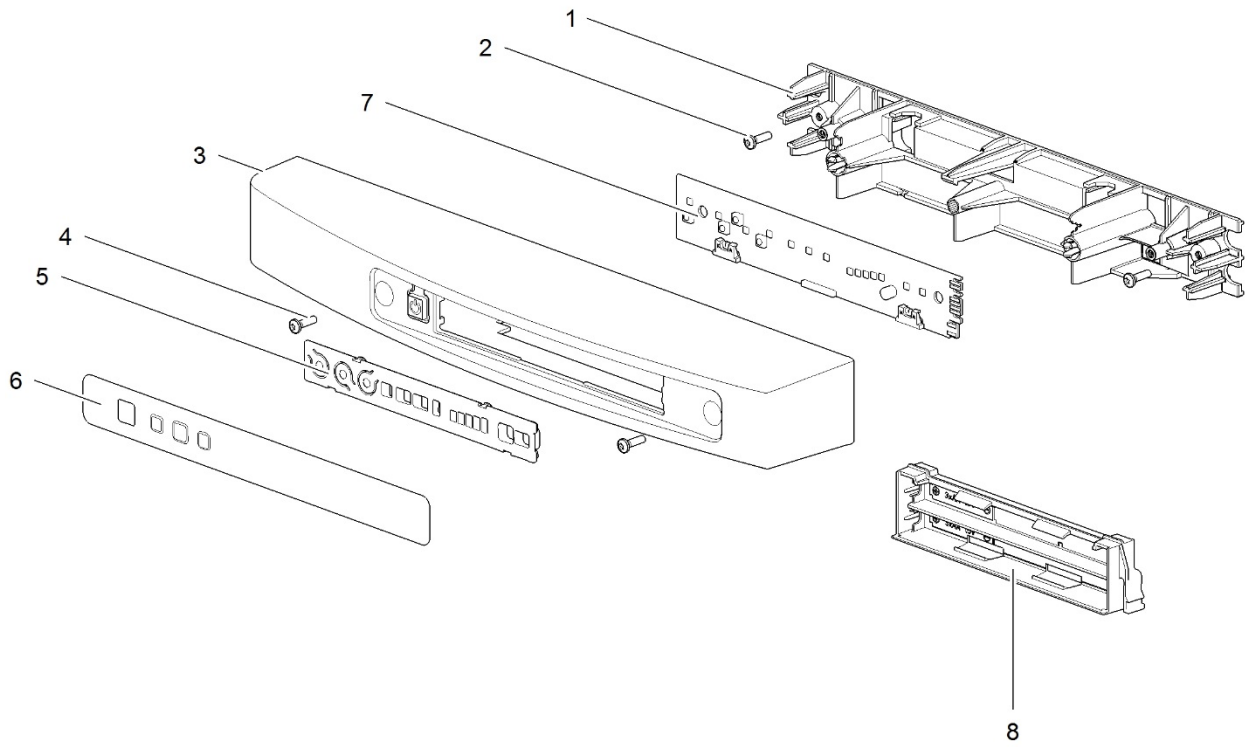
- Power control board
- PCB LED display module
- Sticker LED
- Overlay LED
- Conversion cable

⁴ LCD version kit contains:

- Power control board
- PCB LCD display module
- Sticker LCD
- Conversion cable

THETFORD SPARES

N3097-N3104-N3112-N3150-N3175 control panel



THETFORD SPARES

N3097-N3104-N3112-N3150-N3175 control panel

		Spare part number	Spare part number	Spare part number	Colours available
1	Technical panel curved ^{1/2}	690825			
2	Screws				
3	Housing curved ^{1/2}				
	right hinged	690826			07, 27, 136
	left hinged	690827			07, 27, 136
4	Screws				
5	Overlay LED		691105		
6	Sticker LED	691106		691126	
7	PCB LED DM				
	≥ 20-06-2015 (E171S.....)				
	< 20-06-2015 (E171S.....)	691138			
		<i>LED version kit³</i>			
8	Battery hatch				
	Battery pack	690225			07, 27
9	Sticker LCD	691110			
10	PCB LCD DM		691108		
	≥ 20-06-2015 (E171S.....)				
	< 20-06-2015 (E171S.....)	691139			
		<i>LCD version kit⁴</i>			

¹ Order also spare part 'Sticker LED' (#6) with this spare part number for a LED-version

² Order also spare part 'Sticker LCD' (#9) with this spare part number for a LCD-version

³ *LED version kit* contains:

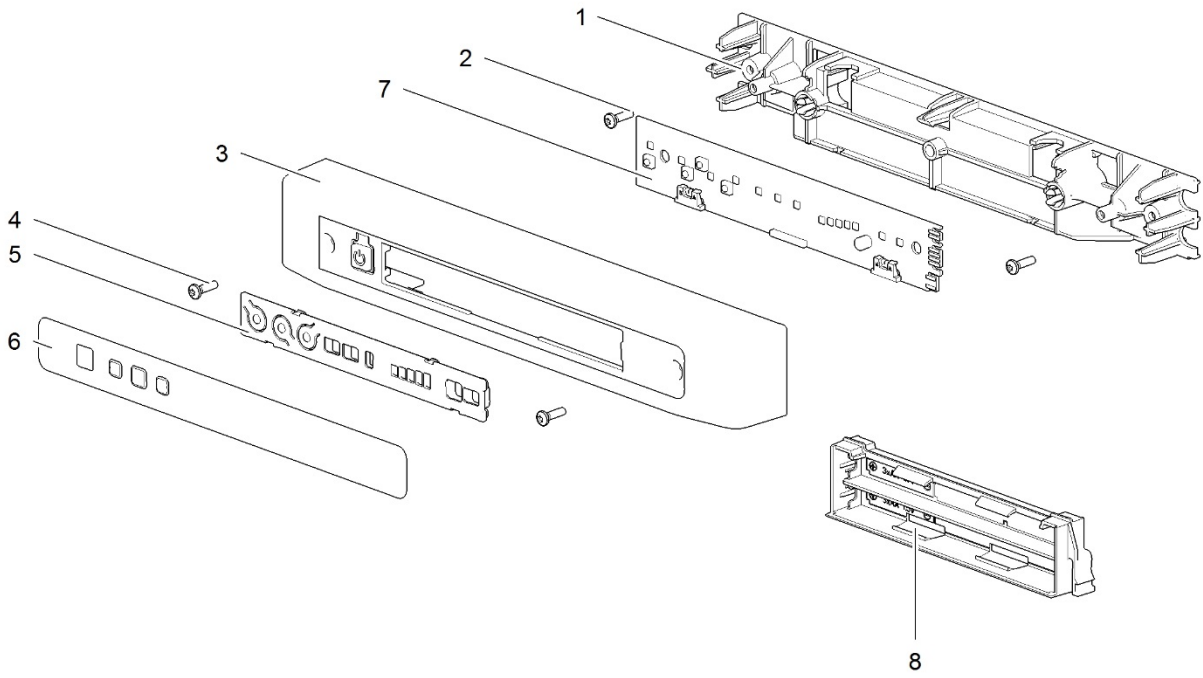
- Power control board
- PCB LED display module
- Sticker LED
- Overlay LED
- Conversion cable

⁴ *LCD version kit* contains:

- Power control board
- PCB LCD display module
- Sticker LCD
- Conversion cable

THETFORD SPARES

N3115 control panel



THETFORD SPARES

N3115 control panel

		Spare part number	Spare part number	Spare part number	Colours available
1	Technical panel flat ¹	690806			
2	Screws				
3	Housing flat ¹	690835			07, 27, 136
4	Screws				
5	Overlay LED		691105		
6	Sticker LED	691106			
7	PCB LED DM				
	< 20-06-2015 (E171S.....)	691138			
		<i>LED version kit²</i>			
	≥ 20-06-2015 (E171S.....)	691126			
8	Battery hatch				
	Battery pack	690225			07, 27

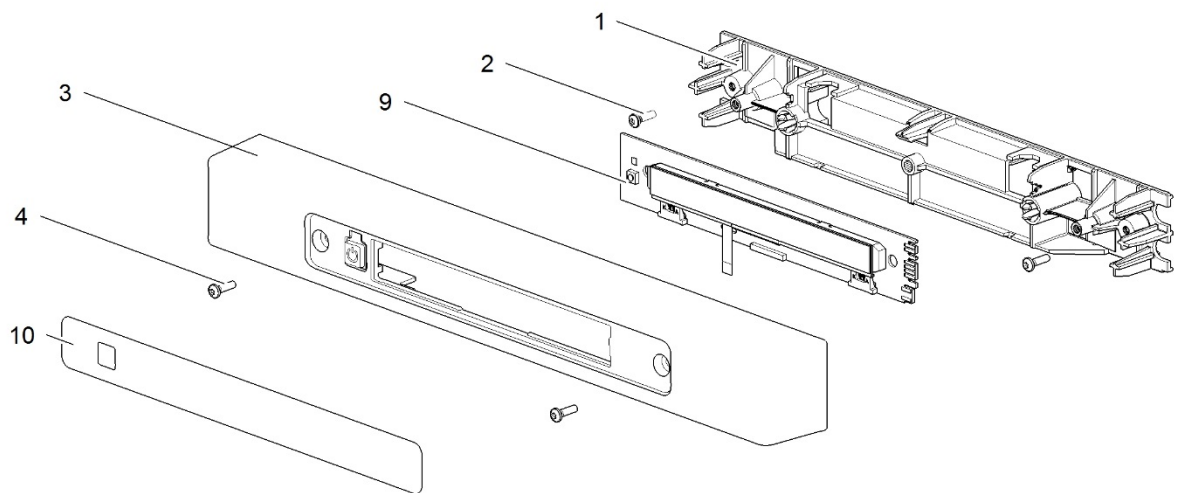
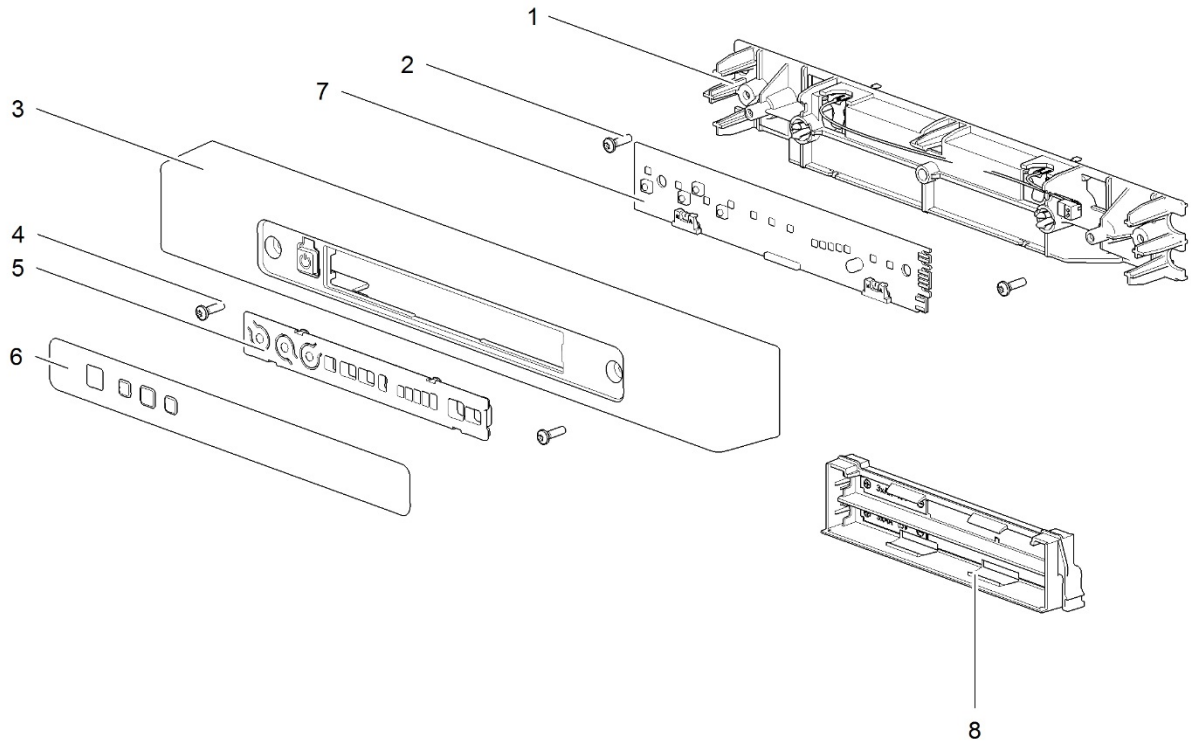
¹ Order also spare part 'Sticker LED' (#6) with this spare part number

² *LED version kit* contains:

- Power control board
- PCB LED Displaymodule
- Sticker LED
- Overlay LED
- Conversion cable

THETFORD SPARES

N3141-N3142 control panel



THETFORD SPARES

N3141-N3142 control panel

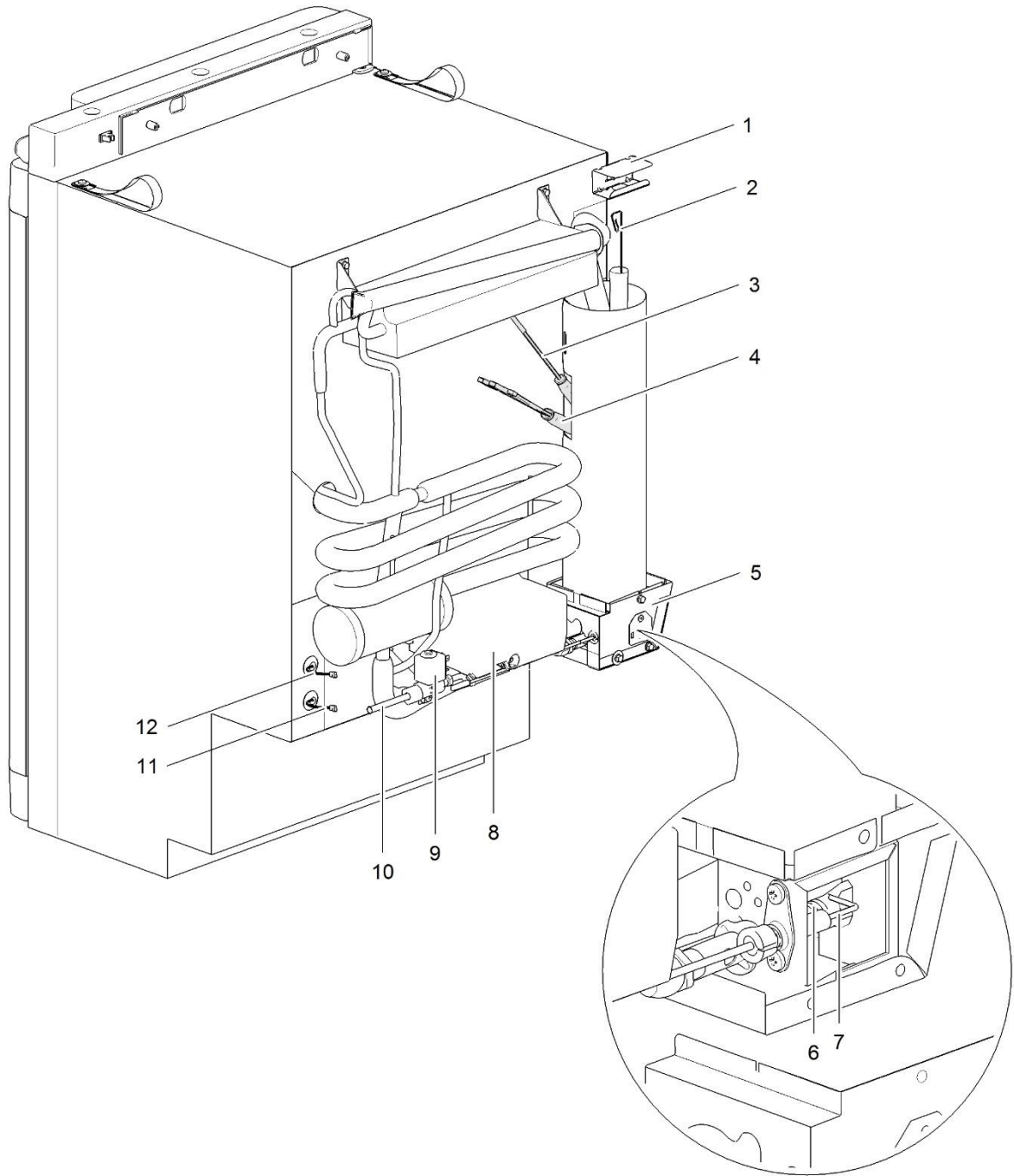
		Spare part number	Spare part number	Spare part number	Colours available
1	Technical panel flat ^{1/2}	691102			
2	Screws				
3	Housing flat ^{1/2}		691104		27
4	Screws				
5	Overlay LED		691105		
6	Sticker LED	691106		691103	
7	PCB LED DM				
8	Battery hatch				
	Battery pack	690225			07, 27
9	PCB LCD DM		691108		
10	Sticker LCD	691110			

¹ Order also spare part 'Sticker LED' (#6) with this spare part number for a LED-version

² Order also spare part 'Sticker LCD' (#10) with this spare part number for a LCD-version

THETFORD SPARES

N3080-N3090-N3097-N3108-N3112-N3115 back



THETFORD SPARES

N3080-N3090-N3097-N3108-N3112-N3115 back

		Spare part number	Spare part number	Colours available
1	Heat cap	690812		
2	Heat diffuser	690878		
3	Heater AC	633575		
4	Heater DC	633574		
5	Heater box			
6	Burner assembly	634570		
7	Spark electrode	690813		
8	Power control board			
	< 20-06-2015 (E171S.....)	691138 <i>LED version kit¹</i>	691139 <i>LCD version kit²</i>	
	≥ 20-06-2015 (E171S.....)	691101		
9	Gas valve	690810		
10	Gas pipe			
11	Thermistor cable			
	Loose connector temperature <i>power board side</i>	690855	690853	
12	Communication cable			
	Loose connector communication	690856	690854	

¹ LED version kit contains:

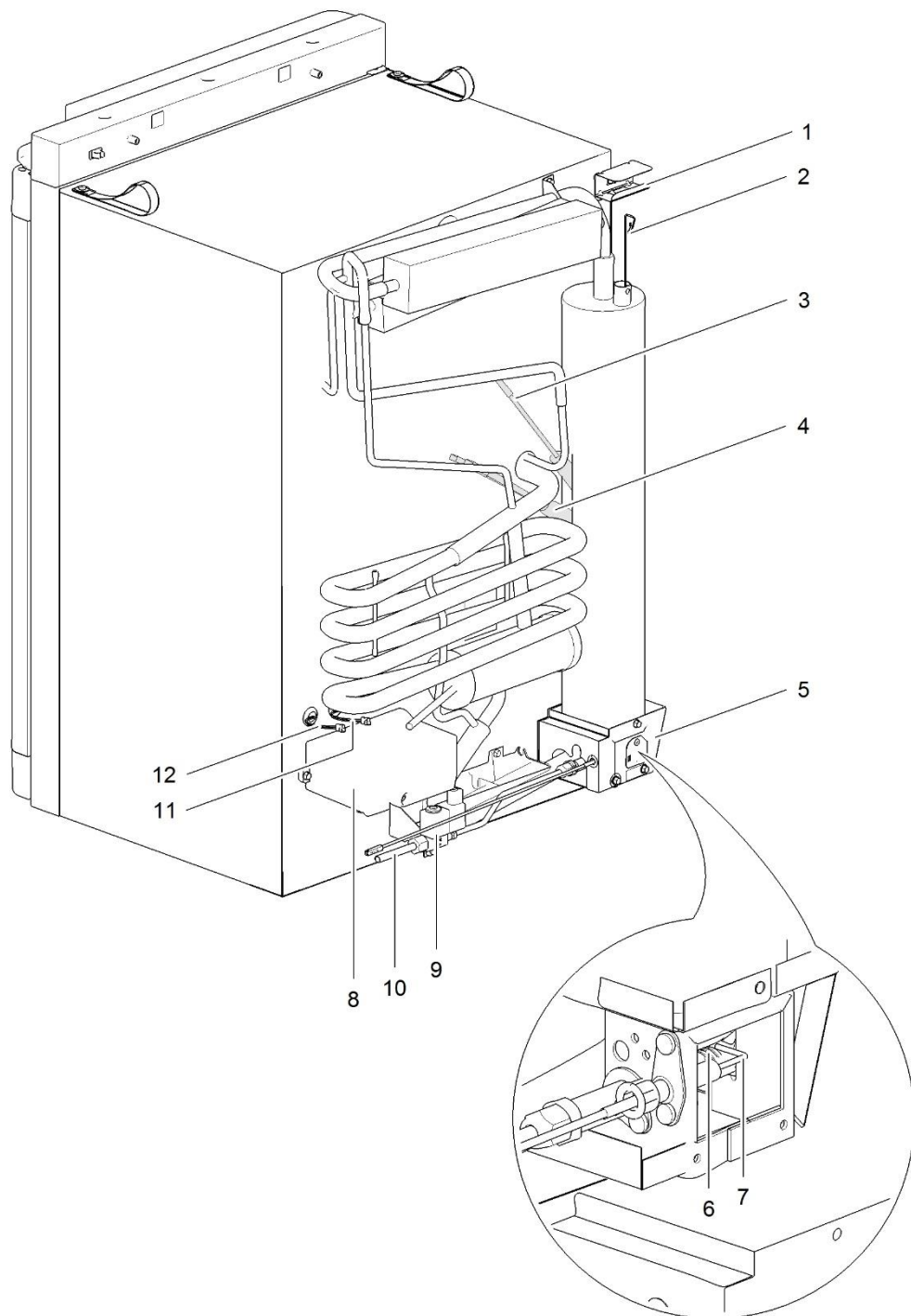
- Power control board
- PCB LED display module
- Sticker LED
- Overlay LED
- Conversion cable

² LCD version kit contains:

- Power control board
- PCB LCD display module
- Sticker LCD
- Conversion cable

THETFORD SPARES

N3100-N3104 back



THETFORD SPARES

N3100-N3104 back

		Spare part number	Spare part number	Colours available
1	Heat cap	690812		
2	Heat diffuser	690878		
3	Heater AC	633575		
4	Heater DC	633574		
5	Heater box			
6	Burner assembly	623019		
7	Spark electrode	690830		
8	Power control board			
	< 20-06-2015 (E171S.....)	691138 <i>LED version kit¹</i>	691139 <i>LCD version kit²</i>	
	≥ 20-06-2015 (E171S.....)	691101		
9	Gas valve	690810		
10	Gas pipe			
11	Thermistor cable			
	Loose connector temperature <i>power board side</i>	690855	690853	
12	Communication cable			
	Loose connector communication	690856	690854	

¹ LED version kit contains:

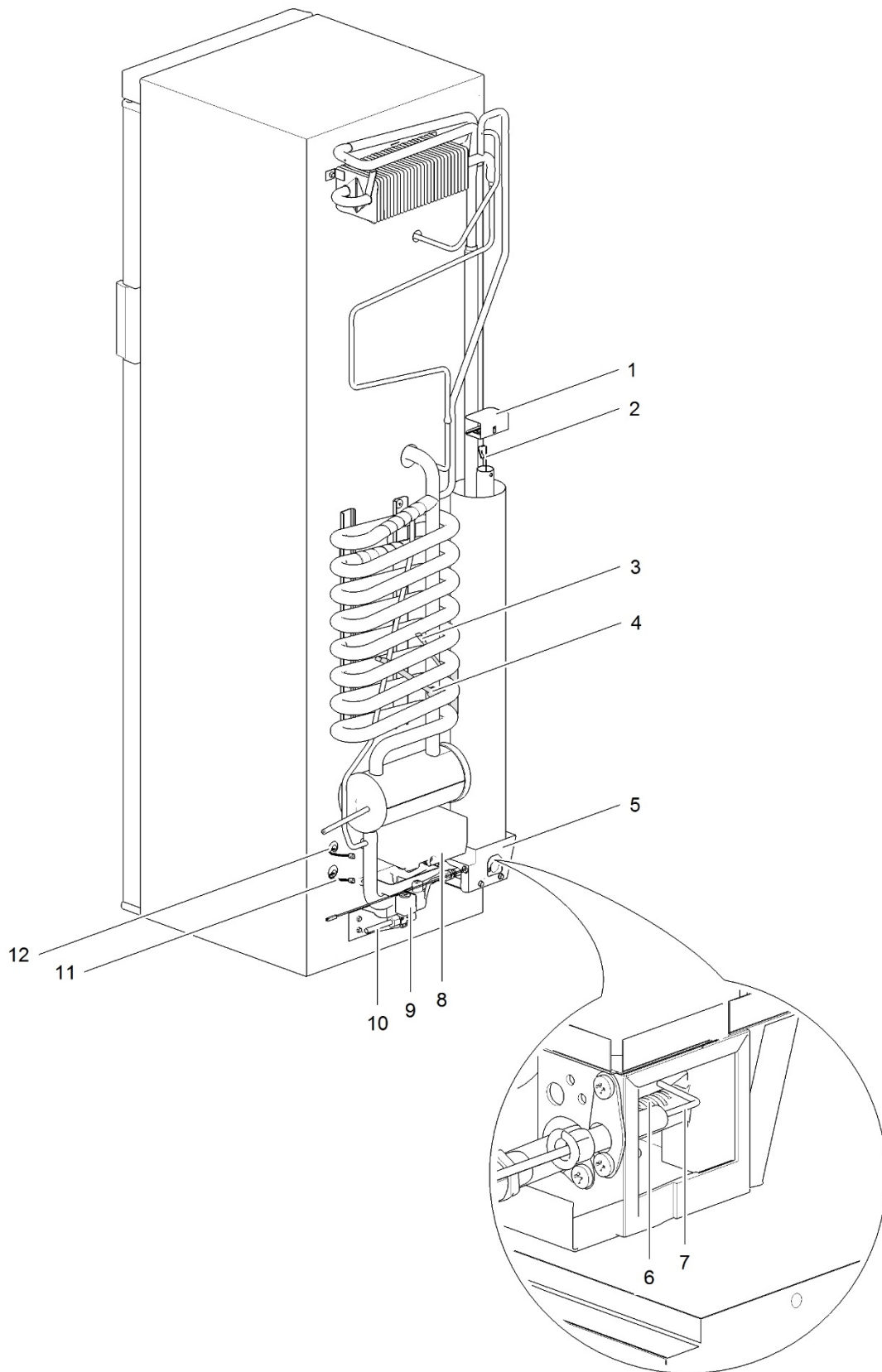
- Power control board
- PCB LED display module
- Sticker LED
- Overlay LED
- Conversion cable

² LCD version kit contains:

- Power control board
- PCB LCD display module
- Sticker LCD
- Conversion cable

THETFORD SPARES

N3141-N3142 back



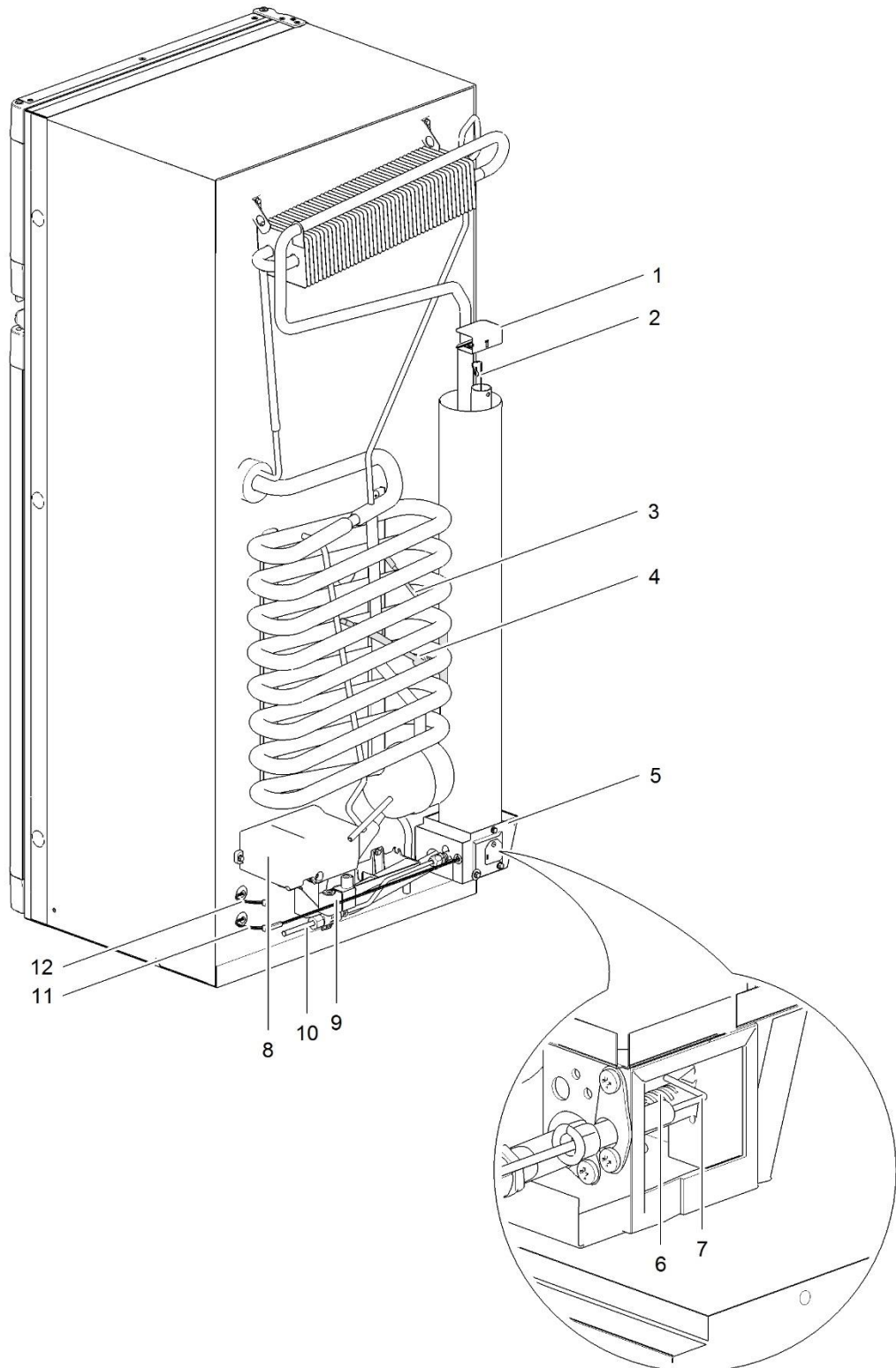
THETFORD SPARES

N3141-N3142 back

		Spare part number	Spare part number	Colours available
1	Heat cap	690839		
2	Heat diffuser			
3	Heater AC	691124		
4	Heater DC	691125		
5	Heater box			
6	Burner assembly	623058		
7	Spark electrode	690840		
8	Power control board	691101		
9	Gas valve	690810		
10	Gas pipe			
11	Thermistor cable			
	Loose connector temperature <i>power board side</i>	690855	690853	
12	Communication cable			
	Loose connector communication	690856	690854	

THETFORD SPARES

N3145-N3150-N3170-N3175 back



THETFORD SPARES

N3145-N3150-N3170-N3175 back

		Spare part number	Spare part number	Colours available
1	Heat cap	690839		
2	Heat diffuser	690879		
3	Heater AC	633573		
4	Heater DC	633572		
5	Heater box			
6	Burner assembly	623058		
7	Spark electrode	690840		
8	Power control board			
	< 20-06-2015 (E171S.....)	691138 <i>LED version kit¹</i>	691139 <i>LCD version kit²</i>	
	≥ 20-06-2015 (E171S.....)	691101		
9	Gas valve	690810		
10	Gas pipe			
11	Thermistor cable			
	Loose connector temperature <i>power board side</i>	690855	690853	
12	Communication cable			
	Loose connector communication	690856	690854	

¹ LED version kit contains:

- Power control board
- PCB LED display module
- Sticker LED
- Overlay LED
- Conversion cable

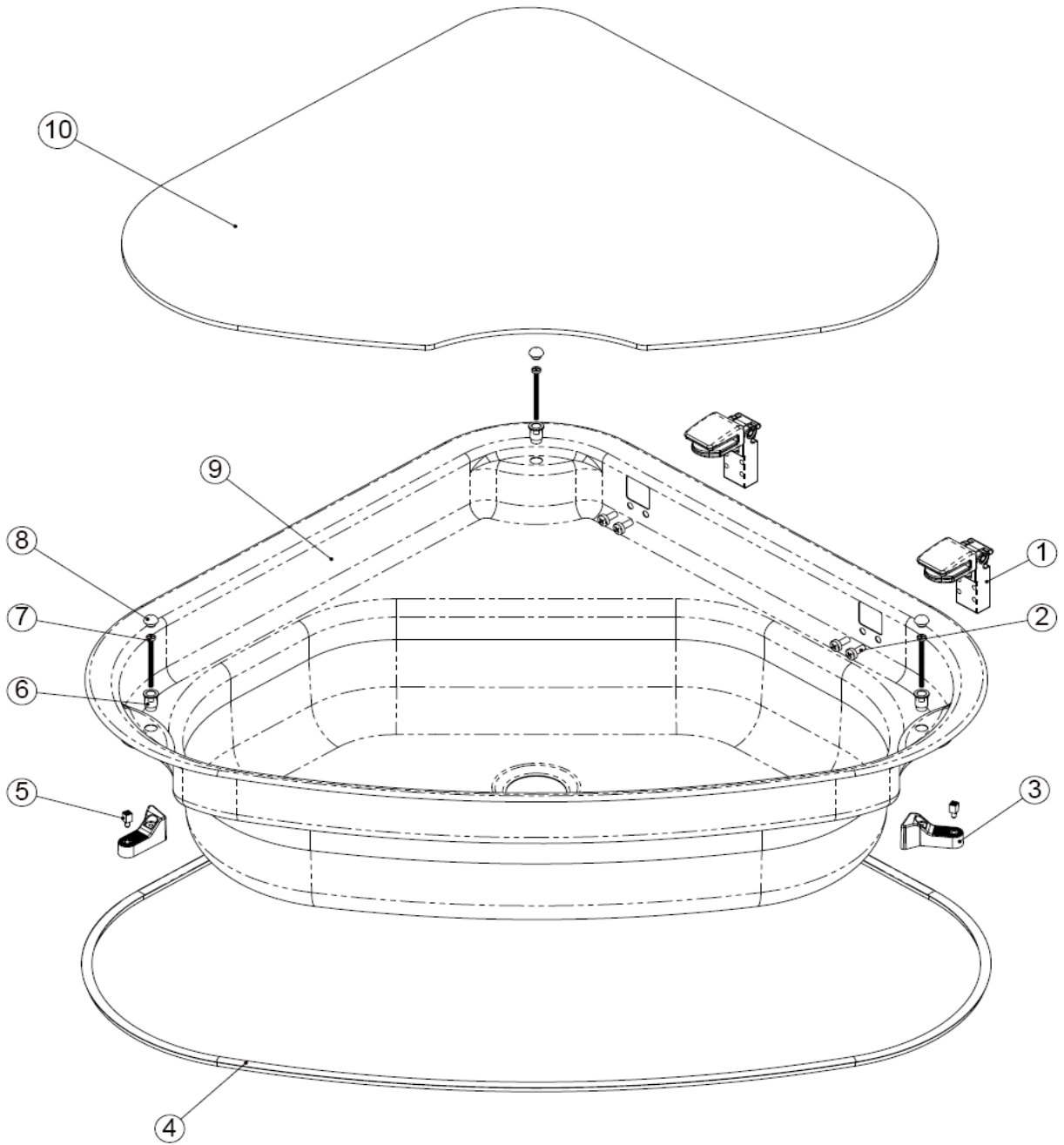
² LCD version kit contains:

- Power control board
- PCB LCD display module
- Sticker LCD
- Conversion cable

Colour index refrigeration

Colour Numbers	Description	Colour reference
07	Traffic Grey	RAL 7042
08	White	MP 1013 MP FR 85 R7
12	Blue	RAL 5012
27(R)	Black	RAL 9005
30	Mocha	NCS S 2005-Y40R
90	Anthracite Grey	RAL 7016
136	Black Grey	RAL 7021
138R	Piano Black	AM50CI EG schwarz 8325 VA 82-99139/10

THETFORD SPARES

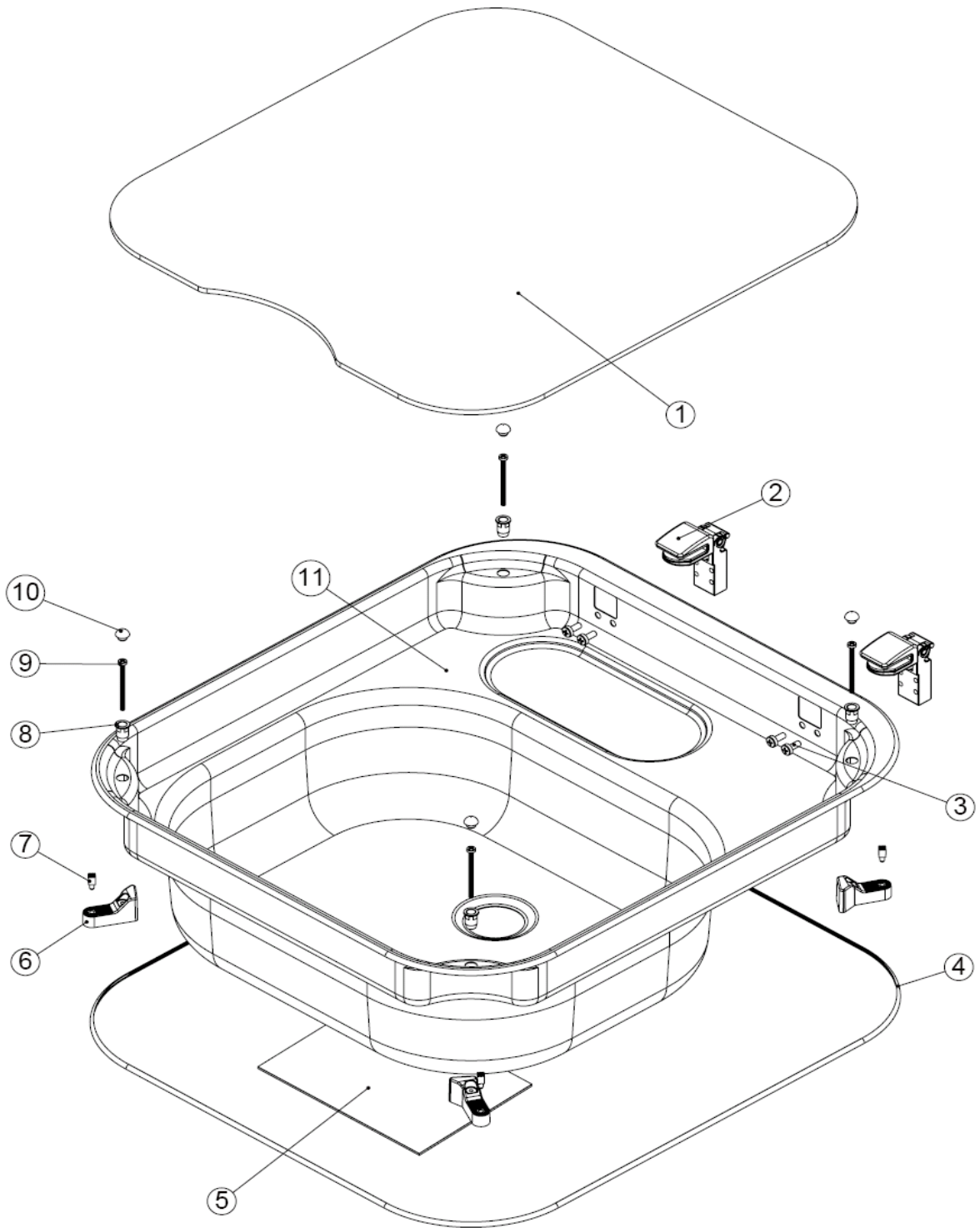
TRIANGULAR BOWL, CONTINENTAL SB3300 - EXPLODED DRAWING (GENERIC)

THETFORD SPARES

TRIANGULAR BOWL, CONTINENTAL SBL3300

DRW No.	PART CODE	DESCRIPTION	MODELS							PRICES £	
			3300	3301	3302	3305	3306	3310	3311		3312
1	SPCC2003.BK	Hinge, Glass Lid, 2004 Style	X	X	X	X	X	X	X	X	
3	SPCX0416	Clamping Arm, CR Clamp System, BK	X	X	X	X	X	X	X	X	
4	SPCC1210	Bezel, Black, self adhesive, silicone rubber		X				X	X	X	
4	SPCC1223	Bezel, cut & join, 1523mm, surf. mount.	X			X	X				
4	SPCC1227	Bezel, cut & join, 1550mm, flush-fit, BK			X						
5	SPCX0415	Bush, snap-fit, CR Clamp System, BK	X	X	X	X	X	X	X	X	
6	SPCX0417	Spacing plug, push-fit, BK	X	X	X	X	X	X	X	X	
7	SPCX0116S	Screw, M3x40 Pozi Pan M/Screw	X	X	X	X	X	X	X	X	
8	SPCX0391	Bump Stop, push-fit	X	X	X	X	X	X	X	X	
9	SMCP7600	Press, Tri CR Bowl, L/H, Lid, No TH, BS	X		X		X				
9	SMCP7601	Press, Tri CR Bowl, R/H, Lid, No TH, BS		X		X					
9	SMCP7605	Press, Tri CR Bowl, L/H, Lid, TH33, BK						X		X	
9	SMCP7606	Press, Tri CR Bowl, R/H, Lid, TH33, BK							X		
10	SG945.BK	Glass Lid, CR Tri Bowl L/H - CHQ BK	X		X			X		X	
10	SG947.BK	Glass Lid, CR Tri Bowl R/H - CHQ BK		X					X		
10	SG948.BK	Glass Lid, CR Tri Bowl R/H - BK				X					
10	SG949.BK	Glass Lid, CR Tri Bowl L/H - BK					X				

THETFORD SPARES

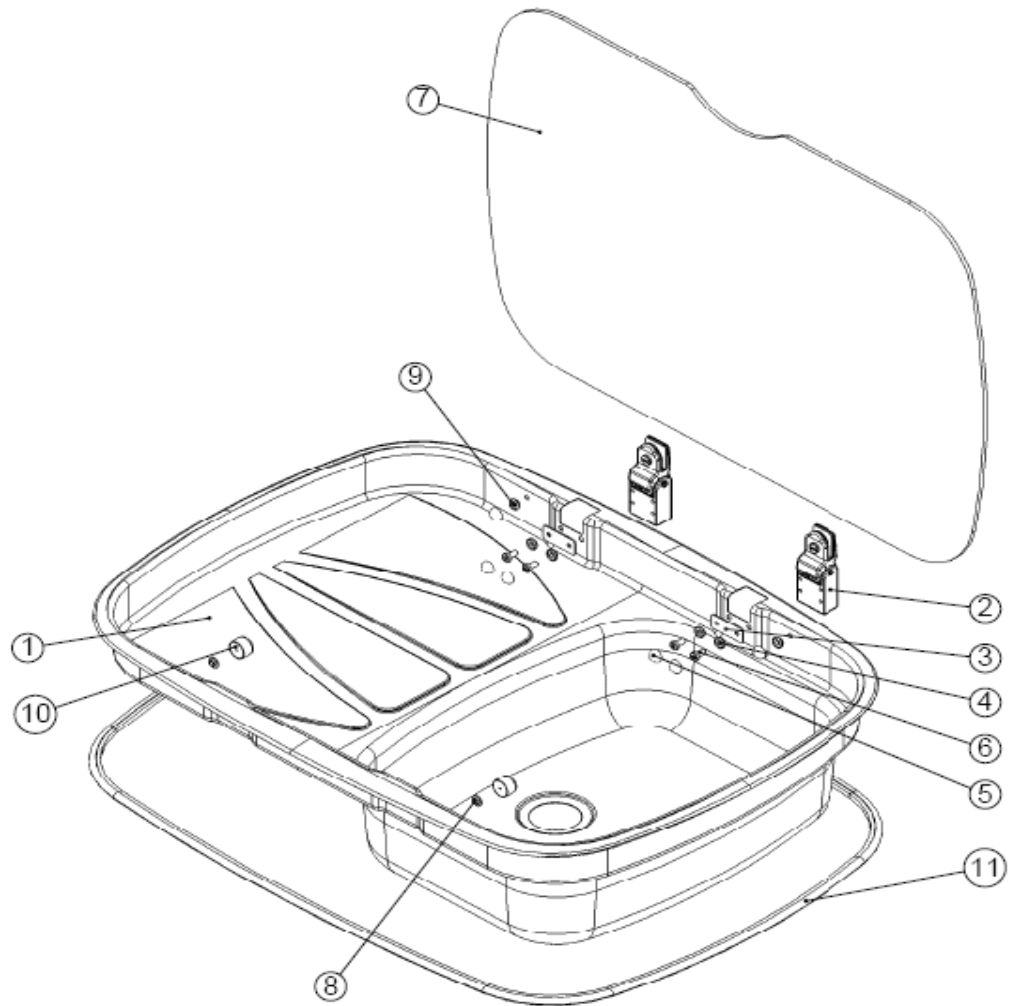
RECTANGULAR BOWL, CONTINENTAL SB3400 - EXPLODED DRAWING (GENERIC)

THETFORD SPARES

RECTANGULAR BOWL, CONTINENTAL SBL3400

DRW No.	PART CODE	DESCRIPTION	MODELS			
			3400	3405	3410	3420
1	SG935.BK	Glass Lid, CR Rect Bowl - CHQ BK	X		X	
1	SG936.BK	Glass Lid, CR Rect Bowl				X
1	SG938.BK	Glass Lid, CR Rect Bowl - Solid BK		X		
2	SPCC2003.BK	Hinge, Glass Lid, 2004 Style	X	X	X	X
4	SPCC1210	Bezel, Black, self adhesive, silicone rubber		X		
4	SPCC1221	Bezel, cut & join, 1482mm, surf. mount.	X		X	X
6	SPCX0416	Clamping Arm, CR Clamp System, BK	X	X	X	X
7	SPCX0417	Bush, snap-fit, CR Clamp System, BK	X	X	X	X
8	SPCX0415	Spacing plug, push-fit, BK	X	X	X	X
9	SPCX0116S	Screw, M3x40 Pozi Pan M/Screw	X	X	X	X
10	SPCX0391	Bump Stop, push-fit	X	X	X	X
11	SMCP7500	Press, Rect CR Bowl, Lid, No DH, No TH, BS	X	X		
11	SMCP7505	Press, Rect CR Bowl, Lid, No DH, TH33, BS			X	X

THETFORD SPARES

ARGENT SINK - EXPLODED DRAWING (GENERIC)

ARGENT SINK (Models SSK)

MODELS SSK

Drw No.	Part Code	Description	1001	1003	1004	1005	1006	1007	1008	1010	1011	1012	1016	1017	1018	1019	1023
1	SMCP6000.??	Press, Arg SK, 630x470 LH				S				CM			CM		CM		
1	SMCP6001.??	Press, Arg SK, 630x470 RH	S				S				CM			CM		CM	
1	SMCP6002.??	Press, Arg SK, 630x470 LH (Dethleffs)															
1	SMCP6003.??	Press, Arg SK, 630x470 RH (Dethleffs)															
1	SMCP6005.??	Press, Arg SK, 630x470 T30 LH						S				CM					
1	SMCP6006.??	Press, Arg SK, 630x470 T30 RH							S								
1	SMCP6007.??	Press, Arg SK, 630x470 T39 LH		S													
1	SMCP6008.??	Press, Arg SK, 630x470 T39 RH			S												
1	SMCP6010.??	Press, Arg SK, 630x470 SH LH															
1	SMCP6011??	Press, Arg SK, 630x470 SH RH															
1	SMCP6027.??	Press, Arg SK, 630x470 T35 LH															S
1	SMCP6028.??	Press, Arg SK, 630x470 T35 RH															
1	SMCP6100.??	Press, Arg SK, 630x470 CM															
1	SMCP6200.??	Press, Arg SKSH, 630x470 LH															
1	SMCP6201.??	Press, Arg SKSH, 630x470 RH															
2	SPCC2005.BK	Hinge, Glass Lid 2001 Style	x	x	x	x	x	x	x	x	x	x	x	x	x	x	x
4	SPCX0370	Washer, Cap Ring, M4, Nylon, WH	x	x	x	x	x	x	x	x	x	x	x	x	x	x	x
5	SPCX0371.GR	Cover, Cap Ring, M4, Nylon, Grey	x	x	x	x	x	x	x	x	x	x	x	x	x	x	x
7	SPCC1910.BK	Glass, 594x398x4mm BK Inset BK	x	x	x	x	x	x	x	x	x	x			x	x	x
7	SPCC1912.BK	Glass, CH, 594x398x4mm BK Inset BK											x	x			x
7	SPCC1911.FWH	Glass, 594x398x4mm FWH Inset BK															
7	SPCC1915.BK	Glass, 594x398x4mm Inset SK, Solid BK															
8	SPCX0368	Insulation Sleeve, Nylon, White	x	x	x	x	x	x	x	x	x	x	x	x	x	x	x
9	SPCX0369	Washer, shoulder, M4, Nylon, White	x	x	x	x	x	x	x	x	x	x	x	x	x	x	x
10	SPCX0385	Bump Stop, Rubber s/fix Dia17	x	x	x	x	x	x	x	x	x	x	x	x	x	x	x
11	SPCC1201	Bezel, inset/lip, 2100mm Sink BK	x	x	x	x	x	x	x	x	x	x					x
11	SPCC1204	Bezel, inset/lip, 2100mm Sink BK											x	x	x	x	

THETFORD SPARES

ARGENT SINK (Models SSK)

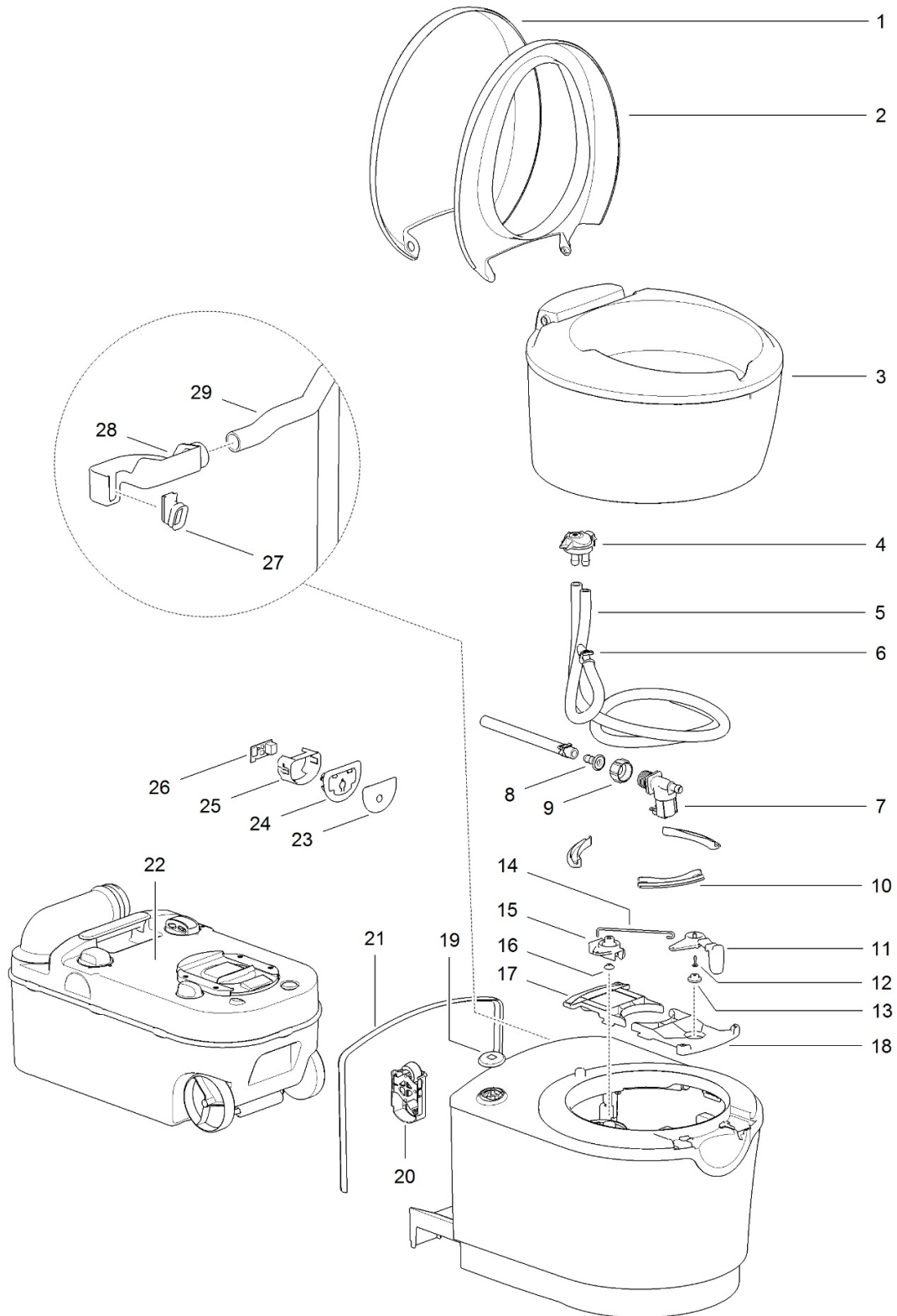
Drw No.	Part Code	Description	1024	1025	1026	1027	1028	1045	1046	1050	1051	1060	1061	1075	1075Z	1076	1076Z
1	SMCP6000.??	Press, Arg SK, 630x470 LH		S				S		MG		BK		S	S		
1	SMCP6001.??	Press, Arg SK, 630x470 RH			S			S			MG		BK			S	S
1	SMCP6002.??	Press, Arg SK, 630x470 LH (Dethleffs)				S											
1	SMCP6003.??	Press, Arg SK, 630x470 RH (Dethleffs)					S										
1	SMCP6005.??	Press, Arg SK, 630x470 T30 LH															
1	SMCP6006.??	Press, Arg SK, 630x470 T30 RH															
1	SMCP6007.??	Press, Arg SK, 630x470 T39 LH															
1	SMCP6008.??	Press, Arg SK, 630x470 T39 RH															
1	SMCP6010.??	Press, Arg SK, 630x470 SH LH															
1	SMCP6011.??	Press, Arg SK, 630x470 SH RH															
1	SMCP6027.??	Press, Arg SK, 630x470 T35 LH															
1	SMCP6028.??	Press, Arg SK, 630x470 T35 RH	S														
1	SMCP6100.??	Press, Arg SK, 630x470 CM															
1	SMCP6200.??	Press, Arg SKSH, 630x470 LH															
1	SMCP6201.??	Press, Arg SKSH, 630x470 RH															
2	SPCC2005.BK	Hinge, Glass Lid 2001 Style	x	x	x	x	x	x	x	x	x	x	x	x	x	x	x
4	SPCX0370	Washer, Cap Ring, M4, Nylon, WH	x	x	x	x	x	x	x	x	x	x	x	x	x	x	x
5	SPCX0371.GR	Cover, Cap Ring, M4, Nylon, Grey	x	x	x	x	x	x	x	x	x	x	x	x	x	x	x
7	SPCC1910.BK	Glass, 594x398x4mm BK Inset BK	x	x	x	x	x	x	x	x	x	x	x	x	x	x	x
7	SPCC1912.BK	Glass, CH, 594x398x4mm BK Inset BK	x	x	x	x	x		x	x							
7	SPCC1911.FWH	Glass, 594x398x4mm FWH Inset BK						x	x			x	x	x	x	x	x
7	SPCC1915.BK	Glass, 594x398x4mm Inset SK, Solid BK															
8	SPCX0368	Insulation Sleeve, Nylon, White															
9	SPCX0369	Washer, shoulder, M4, Nylon, White	x	x	x	x	x	x	x	x	x	x	x	x	x	x	x
10	SPCX0385	Bump Stop, Rubber s/fix Dia17	x	x	x	x	x	x	x	x	x	x	x	x	x	x	x
11	SPCC1201	Bezel, inset/lip, 2100mm Sink BK	x			x	x			x	x			x		x	
11	SPCC1204	Bezel, inset/lip, 2100mm Sink BK		x	x			x	x			x	x		x		x

ARGENT SINK (Models SSK)

Drw No.	Part Code	Description	1077	1078	1090	1091	1092	1093	1095	1096	1110	1205	1210	1211
1	SMCP6000.??	Press, Arg SK, 630x470 LH			LNS		LNS							
1	SMCP6001.??	Press, Arg SK, 630x470 RH				LNS		LNS						
1	SMCP6002.??	Press, Arg SK, 630x470 LH (Dethleffs)												
1	SMCP6003.??	Press, Arg SK, 630x470 RH (Dethleffs)												
1	SMCP6005.??	Press, Arg SK, 630x470 T30 LH	S											
1	SMCP6006.??	Press, Arg SK, 630x470 T30 RH		S										
1	SMCP6007.??	Press, Arg SK, 630x470 T39 LH												
1	SMCP6008.??	Press, Arg SK, 630x470 T39 RH												
1	SMCP6010.??	Press, Arg SK, 630x470 SH LH						S						
1	SMCP6011.??	Press, Arg SK, 630x470 SH RH								S				
1	SMCP6027.??	Press, Arg SK, 630x470 T35 LH												
1	SMCP6028.??	Press, Arg SK, 630x470 T35 RH												
1	SMCP6100.??	Press, Arg SK, 630x470 CM									CM			
1	SMCP6200.??	Press, Arg SKSH, 630x470 LH										S	S	
1	SMCP6201.??	Press, Arg SKSH, 630x470 RH												S
2	SPCC2005.BK	Hinge, Glass Lid 2001 Style	x	x	x	x	x	x	x	x		x	x	x
4	SPCX0370	Washer, Cap Ring, M4, Nylon, WH	x	x	x	x	x	x	x	x		x	x	x
5	SPCX0371.GR	Cover, Cap Ring, M4, Nylon, Grey	x	x	x	x	x	x	x	x		x	x	x
7	SPCC1910.BK	Glass, 594x398x4mm BK Inset BK	x	x	x	x	x	x	x	x	x	x	x	x
7	SPCC1912.BK	Glass, CH, 594x398x4mm BK Inset BK							x	x		x		
7	SPCC1911.FWH	Glass, 594x398x4mm FWH Inset BK	x	x	x	x								
7	SPCC1915.BK	Glass, 594x398x4mm Inset SK, Solid BK					x	x						
8	SPCX0368	Insulation Sleeve, Nylon, White											x	x
9	SPCX0369	Washer, shoulder, M4, Nylon, White	x	x	x	x	x	x	x	x		x	x	x
10	SPCX0385	Bump Stop, Rubber s/fix Dia17	x	x	x	x	x	x	x	x		x	x	x
11	SPCC1201	Bezel, inset/lip, 2100mm Sink BK	x	x					x	x		x		
11	SPCC1204	Bezel, inset/lip, 2100mm Sink BK			x	x	x	x			x		x	x

THETFORD SPARES

C223S



THETFORD SPARES

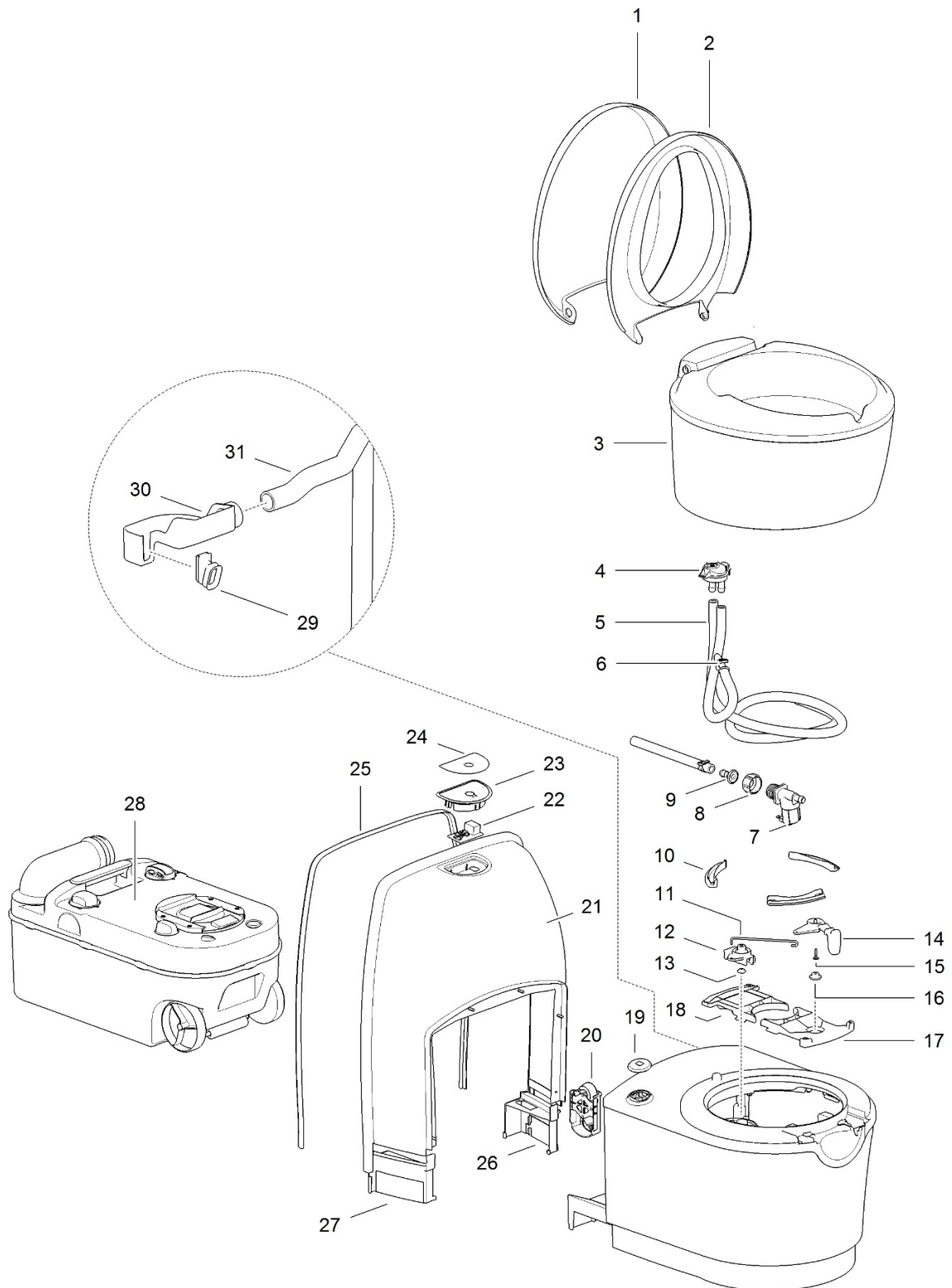
C223S

		Spare part number	Spare part number	Spare part number	Colours available
1	Cover		200950		62
2	Seat				
3	Bowl	200951			62
4	Vacuum breaker	16833			
5	Flush tube		200952		62
6	Nozzle				
7	Electric valve			23709	
8	Hose barb		23581		
9	Hose nut				
10	Retainer bracket				
11	Blade handle				
12	Screw		200953		07
13	Bushing				
14	Link				
15	Saddle		200954		
16	Bushing				
17	Bowl retainer bracket-back				
18	Bowl retainer bracket-front		200955		
19	Lens	200956			
20	Level indicator	200957			
21	Seal base wall	200958			
22	Waste holding tank	<i>Refer to page 36</i>			
23	Sticker	200960			
24	Control panel		200961		62
25	Wall interface				
26	PCB	200962			
27	Socket outside vent				
28	Box outside vent		200959		62
29	Tube outside vent				
	Wiring harness*	200963			

* Wiring harness is not shown on parts drawing.

THETFORD SPARES

C223CS



THETFORD SPARES

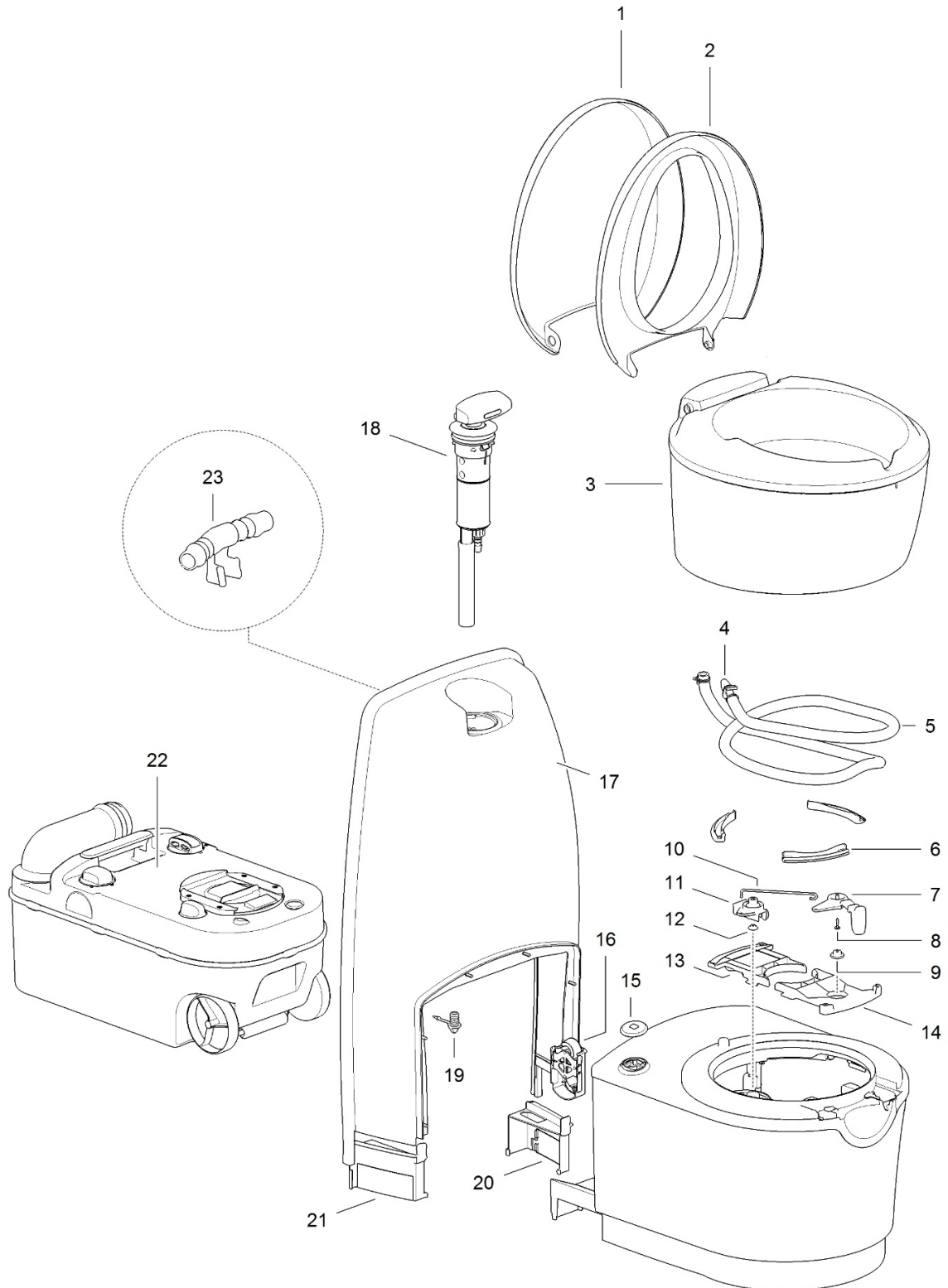
C223CS

		Spare part number	Spare part number	Spare part number	Colours available
1	Cover		200950		62
2	Seat				
3	Bowl	200951			62
4	Vacuum breaker	16833			
5	Flush tube		200952		62
6	Nozzle				
7	Electric valve			23709	
8	Hose nut		23581		
9	Hose barb				
10	Retainer bracket				
11	Link		200954		
12	Saddle				
13	Bushing				
14	Blade handle				
15	Screw		200953		07
16	Bushing				
17	Bowl retainer bracket-front		200955		
18	Bowl retainer bracket-back				
19	Lens	200956			
20	Level indicator	200957			
21	Console				
22	PCB	200962			
23	Control panel		200974		62
24	Sticker	200960			
25	Seal base wall	200975			
26	Splash guard right				
27	Splash guard left				
28	Waste holding tank*	<i>Refer to page 36</i>			
29	Socket outside vent		200959		62
30	Box outside vent				
31	Tube outside vent				
	Wiring harness*	200976			

* Wiring harness is not shown on parts drawing.

THETFORD SPARES

C224CW



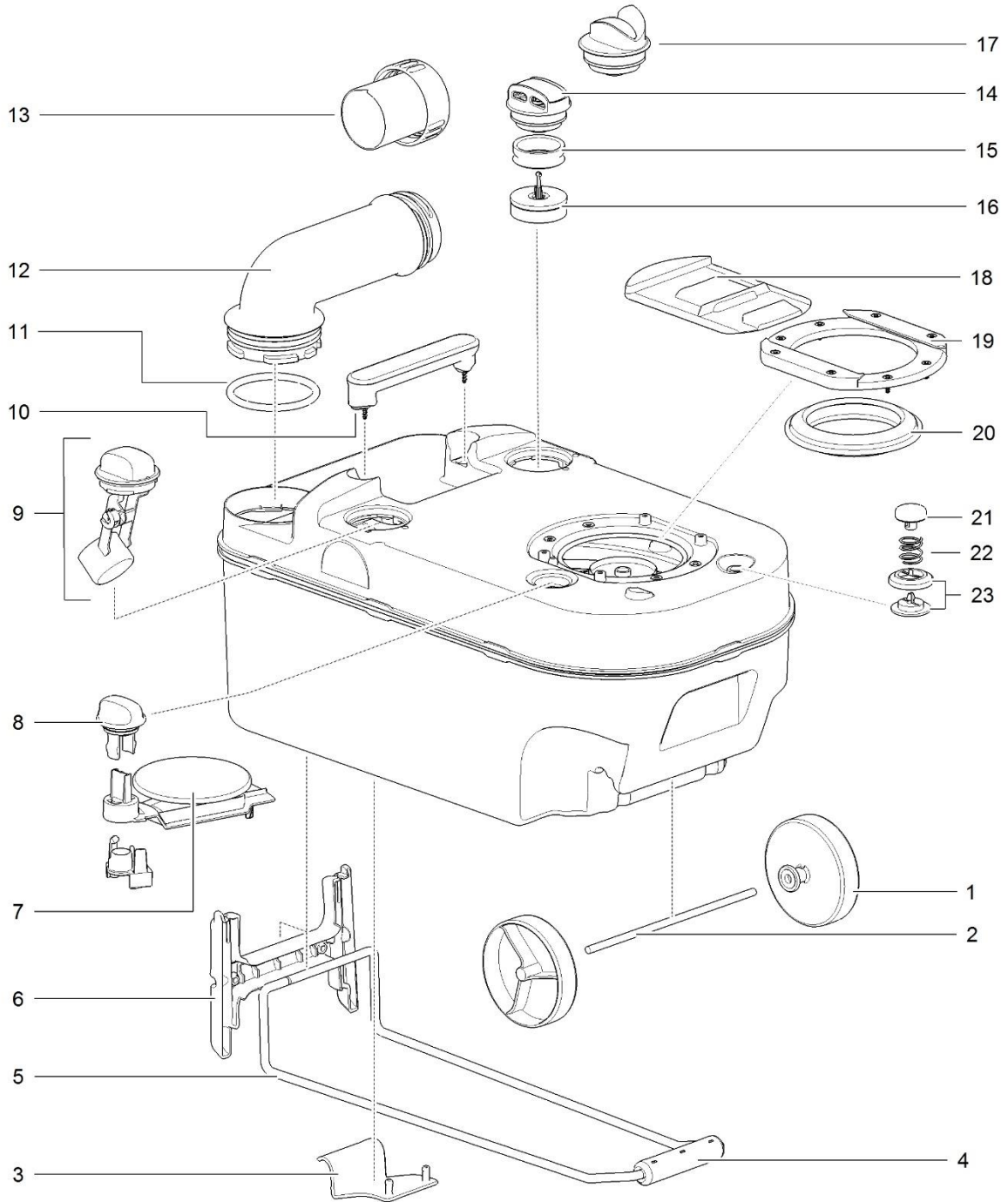
THETFORD SPARES

C224CW

		Spare part number	Spare part number	Colours available
1	Cover		200950	62
2	Seat			
3	Bowl	200951		62
4	Flush tube		200979	62
5	Nozzle			
6	Retainer bracket			
7	Blade handle			
8	Screw		200953	07
9	Bushing			
10	Link			
11	Saddle		200954	
12	Bushing			
13	Bowl retainer bracket-back		200955	
14	Bowl retainer bracket-front			
15	Lens	200956		
16	Level indicator	200957		
17	Console			
18	Pump	200980		
19	Drain plug	23852		74
20	Splash guard right			
21	Splash guard left			
22	Waste holding tank	<i>Refer to page 36</i>		
23	Air vent connector			

THETFORD SPARES

C220 waste-holding tankwaste-holding tank



THETFORD SPARES

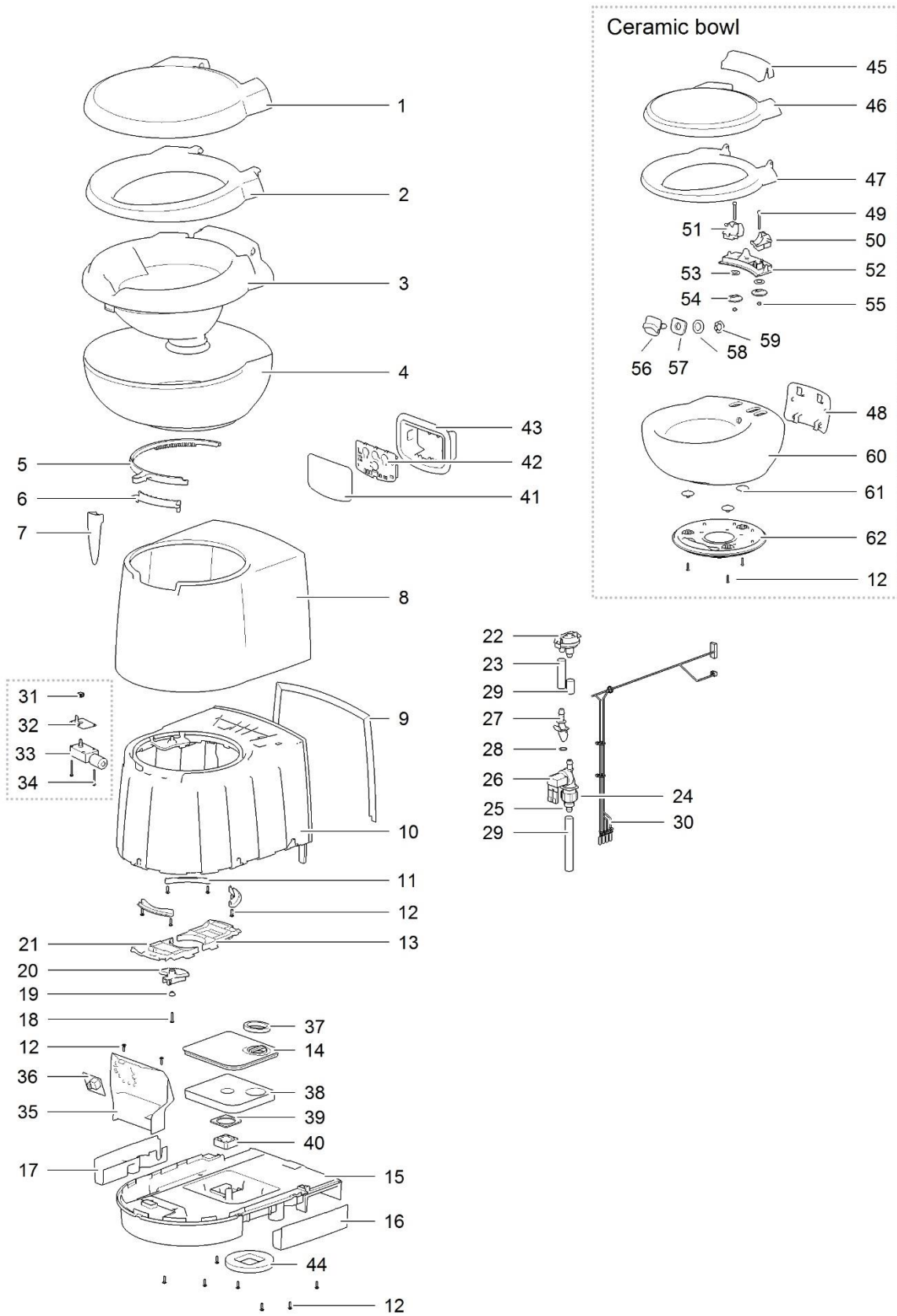
C220 waste-holding tankwaste-holding tank

	Spare part number	Spare part number	Spare part number	Colours available
1	Wheels 2x			
2	Axle	200964		142
3	Tank lock clip	23849		85
4	Grip transport handle	200966		
5	Transport handle		200965	85
6	Transport handle bracket	200968		06
7	Blade	50731		
8	Blade opener	200970		85
9	Float arm	200971		
10	Carry handle	200972		06
11	O-ring			
12	Pour out spout		200973	06, 85
13	Measuring cup	200967		85
14	Automatic vent			
15	Foam		23722	
16	Vent seal			06
17	Outside vent		23788	
18	Sliding cover	50718		06
19	Retainer seal			
20	Lip seal	23721		
21	Vent button			
22	Spring		07524	85
23	Vent seal			
	Waste-holding tank complete <i>including sliding cover, wheels and handle</i>	200977	200978 for outside vent version	06

THETFORD SPARES

Colour index sanitation

Colour Numbers	Description	Colour reference
06	Slate Grey	RAL 7015
07	Traffic Grey	RAL 7042
10	Ivory-United States	Not available
16	Turquoise Green	RAL 6016
30	Mocha	NCS S 2005-Y40R
38	Grey Beige	RAL 1019
44	Beige-Europe	PMS 05543P
47	White/Silver	Not available
57	Creamy White	RAL 9001
62	White/Grey	Not available
66	Light Ivory	RAL 1015
68	Grey White	RAL 9002
74	Moon Grey	Pantone 417
78	Yellow	RAL 1003
79	Edelweiss	Ideal-Std. 46
85	Blue	RAL 5015
88	Grey-Brown	Not available
89	Granite	Not available
90	Anthracite Grey	RAL 7016
92	Orange	Not available
111	Signal White	RAL 9003
127	White	NCS S 0300-N
130	Ruby Red	RAL 3003
132	Signal Black	RAL 9004
133	Agate Grey	RAL 7038
135	Light Grey Granite	Not available



THETFORD SPARES

C263S

	Spare part number	Spare part number	Spare part number	Colours available
1	Cover			
2	Seat	93401		30, 62
3	Bowl inner	93433		62
4	Bowl outer			
5	Ring blade mechanism	50760		
6	Water diverter	93429		62
7	Handle	93402		47
8	Base upper			
9	Seal base wall	93428		62
10	Base frame			
11	Retainer bracket			
12	Screw 3.9 x 14			
13	Bowl retainer bracket	50733		
14	Vent plate			
15	Base lower			
16	Side cover left			
17	Side cover right			
18	Screw 3.9 x 22			
19	Bushing	50735		
20	Saddle			
21	Bowl retainer			
22	Vacuum breaker	16833		
23	Water supply tube			
24	Hose nut	23851		
25	Hose barb			
26	Electric valve < 01-09-2013 Serial number < E244P..... or C260 toilets with Waste Transfer system		23709	
	Electric valve 90° > 01-09-2013 Serial number > E244P..... <i>Including numbers 24 & 25</i>	90717		
27	Nozzle			
28	O-ring	93430		62
29	Water supply tube			
30	Wire harness	93421		
31	Gear wheel motor			
32	Metal bracket electric blade	93415		
33	Motor electric blade			
34	Screw Hilo 3,1 x 35/15 PH2			

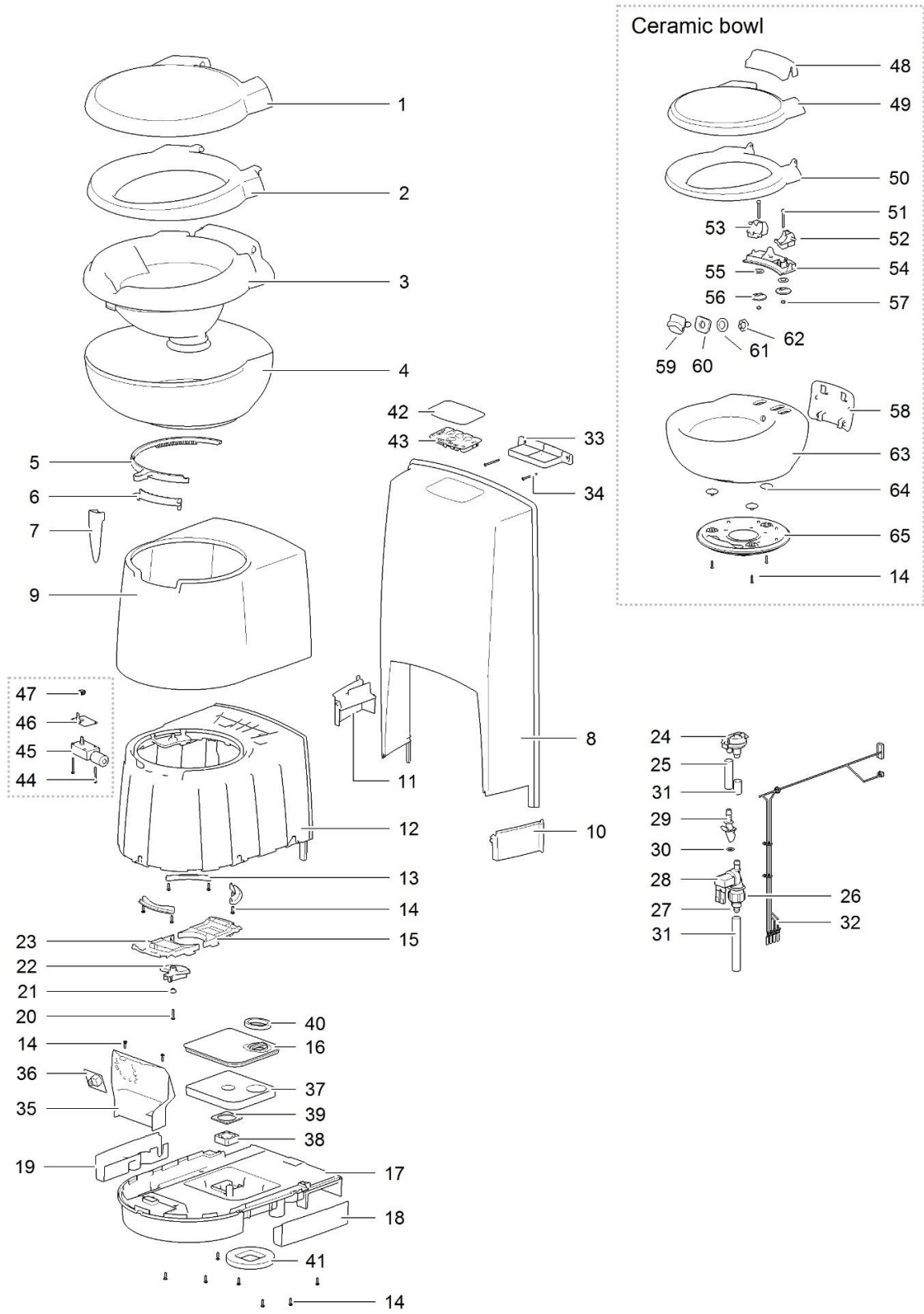
THETFORD SPARES

C263S

		Spare part number	Spare part number	Spare part number	Colours available
35	Housing main PCB	93407			62
36	Reed switch single level	93408		93417 <i>electric ventilator kit</i>	
	Reed switch multi level	93409			
37	Seal vent plate				
38	Filter electric ventilator	93426			
	Filter electric ventilator 8 pack	93416			
39	Ventilator foam		93411		
40	Electric ventilator				
41	Sticker control panel	93403			
42	Control SN	50709			
	Control SW	93405			
	Control FF	50711			
43	Wall box	93427			62
44	Seal adapter				
45	POD			93412	62
46	Cover				
47	Seat				
48	Service cover		93413		62
49	Inner hex head screw M6 x 50				
50	Hinge block left				
51	Hinge block right				
52	Bracket seat & cover				
53	Adhesive ring				
54	Plastic ring M6				
55	Nut M6				
56	Nozzle		50756		62
57	Seal				
58	Washer M17				
59	Pal nut M16				
60	Ceramic bowl				
61	Nut rotating plate				
62	Rotating plate				

THETFORD SPARES

C263CS



THETFORD SPARES

C263CS

		Spare part number	Spare part number	Spare part number	Colours available
1	Cover				
2	Seat		93401		30, 62
3	Bowl inner	93433			62
4	Bowl outer				
5	Ring blade mechanism	50760			
6	Water diverter	93429			62
7	Handle	93402			47
8	Console				
9	Base upper				
10	Splashguard left				
11	Splashguard right				
12	Base frame				
13	Retainer bracket				
14	Screw 3.9 x 14				
15	Bowl retainer bracket	50733			
16	Vent plate				
17	Base lower				
18	Side cover left				
19	Side cover right				
20	Screw 3.9 x 22				
21	Bushing		50735		
22	Saddle				
23	Bowl retainer				
24	Vacuum breaker	16833			
25	Water supply tube				
26	Hose nut				
27	Hose barb	23851			
28	Electric valve				
	< 01-09-2013			23709	
	Serial number < E244P.....				
	or C260 toilets with Waste Transfer system				
	Electric valve 90°				
	> 01-09-2013				
	Serial number > E244P.....		90717		
	Including numbers 26 & 27				
29	Nozzle				
30	O-ring		93430		62
31	Water supply tube				
32	Wire harness	93422			
33	Wall bracket				
34	Screw parker 8 x ½ IN				

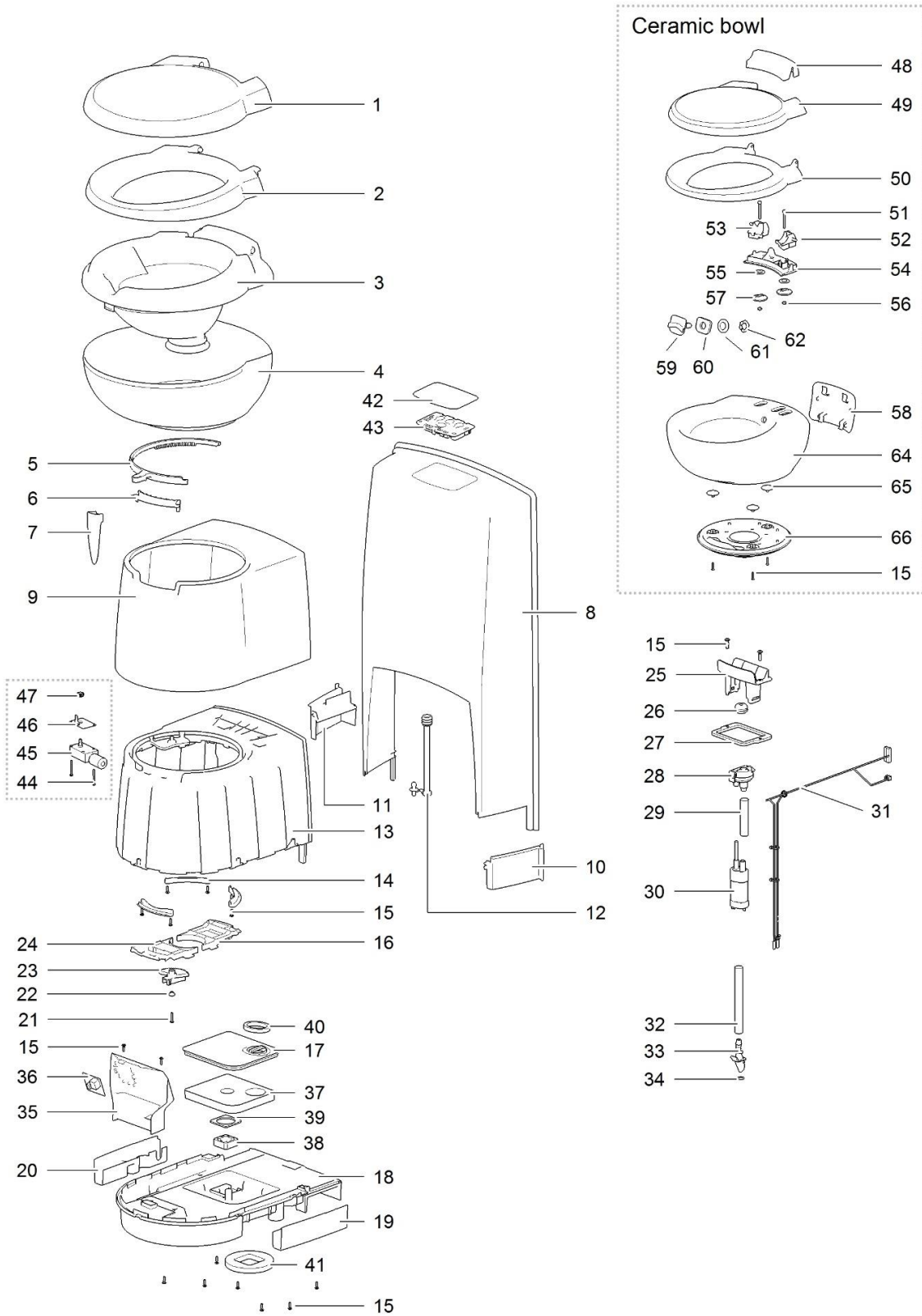
THETFORD SPARES

C263CS

		Spare part number	Spare part number	Spare part number	Colours available
35	Housing main PCB	93407			62
36	Reed switch (single level)	93408		93417 <i>electric ventilator kit</i>	
	Reed switch (multi level)	93409			
37	Filter electric ventilator	93426			
	Filter electric ventilator 8 pack	93416			
38	Electric ventilator		93411		
39	Ventilator foam				
40	Seal, vent plate				
41	Seal, adaptor				
42	Sticker control panel	93403			
43	Control SN	50709			
	Control SW	93405			
	Control FF	50711			
44	Screw Hilo 3.1 x 35/15 PH2				
45	Motor electric blade		93415		
46	Metal bracket electric blade				
47	Gear wheel motor				
48	POD for ceramic bowl			93412	62
49	Cover for ceramic bowl				
50	Seat for ceramic bowl				
51	Inner Hex head screw M6 x 50		93413		
52	Hinge block left				
53	Hinge block right				
54	Bracket seat & cover				
55	Adhesive ring				
56	Plastic ring M6				
57	Nut M6				
58	Service cover				
59	Nozzle		50756		
60	Seal				
61	Washer M17				
62	Pal nut M16			62	
63	Ceramic bowl				
64	Nut rotating plate				
65	Rotating plate				

THETFORD SPARES

C262CWE | 0117



THETFORD SPARES

C262CWE

		Spare part number	Spare part number	Spare part number	Colours available
1	Cover		93401		30, 62
2	Seat				
3	Bowl inner	93433			62
4	Bowl outer				
5	Ring blade mechanism	50760			
6	Water diverter	93429			62
7	Handle	93402			47
8	Console				
9	Base upper				
10	Splashguard left				
11	Splashguard right				
12	Drain	50717			
13	Base frame				
14	Retainer bracket				
15	Screw 3.9 x 14				
16	Bowl retainer bracket	50733			
17	Vent plate				
18	Base lower				
19	Side cover left				
20	Side cover right				
21	Screw 3.9 x 22		50735		
22	Bushing				
23	Saddle				
24	Bowl retainer				
25	Cover console				
26	Grommet seal				
27	Cover seal				
28	Vacuum breaker	16833			
29	Tube WT inside				
30	Pump	93418			
31	Wire harness	93423			
32	Water supply tube		93430		62
33	Nozzle				
34	O-ring				

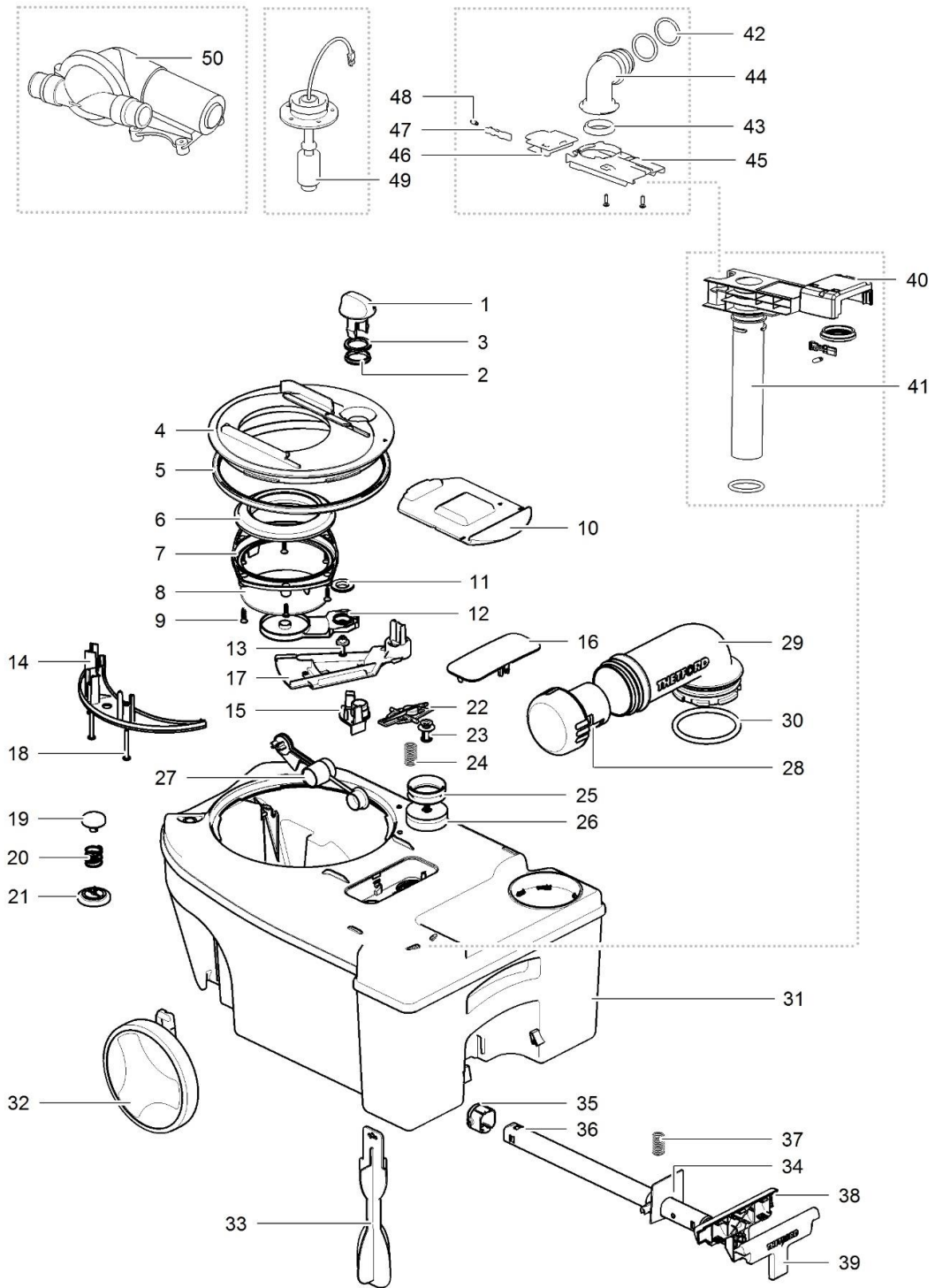
THETFORD SPARES

C262CWE

		Spare part number	Spare part number	Spare part number	Colours available
35	Housing main PCB	93407			62
36	Reed switch (single level)	93408		93417 <i>electric ventilator kit</i>	
	Reed switch (multi level)	93409			
37	Filter electric ventilator	93426			
	Filter electric ventilator 8 pack	93416			
38	Electric ventilator		93411		
39	Ventilator foam				
40	Seal vent plate				
41	Seal adaptor				
42	Sticker control panel	93403			
43	Control SN	50709			
	Control SW	93405			
	Control FF	50711			
44	Screw Hilo 3.1 x 35/15 PH2				
45	Motor electric blade		93415		
46	Metal bracket electric blade				
47	Gear wheel motor				
48	POD for ceramic bowl			93412	
49	Cover for ceramic bowl				62
50	Seat for ceramic bowl				
51	Inner Hex head screw M6 x 50		93413		
52	Hinge block left				
53	Hinge block right				
54	Bracket seat & cover				62
55	Adhesive Ring				
56	Nut M6				
57	Plastic ring M6				
58	Service cover				
59	Nozzle		50756		
60	Seal				62
61	Washer M17				
62	Pal nut M16				
63	Ceramic bowl				
64	Nut rotating plate				
65	Rotating plate				

THETFORD SPARES

C250 - C260 waste-holding tank



THETFORD SPARES

C250 - C260 waste-holding tank

		Spare part number	Spare part number	Spare part number	Colours available
1	Blade opener				
2	Seal		23743		92
3	Washer				
4	Waste-holding tank plate	50723			06
5	Seal mechanism	50724			
6	Lip seal	23721			
7	Blade arm driver			50727 waste- holding tank mechanism	06
8	Blade	50731			
9	Screw				
10	Sliding cover	50718			
11	Bearing plate				
12	Blade arm				
13	Bushing/screw				
14	Support track				
15	Retainer mechanism				
16	Vent lid	50741			06
17	Blade driver				
18	Screw				
19	Vent button				
20	Spring		07524		92
21	Vent seal				
22	Vent lifter				
23	Vent pivot				
24	Vent spring				
25	Seal vent	21528	50732		
26	Float stem				
27	Float	50725			
28	Measuring cup	25810			06
29	Pour out spout		50719		92
30	O-ring				
31	Waste-holding tank complete including sliding cover		50700	50701 pump out system	06
32	Wheels 2X	50726			
33	Vent actuator				
34	Guide	50738			06
35	Bracket				
36	Telescopic system			50728	
37	Vent spring				
38	Handle grip				92
39	Handle cover	50737			

THETFORD SPARES

C250 - C260 waste-holding tank

		Spare part number	Spare part number	Spare part number	Colours available
Pump out system - spare parts & accessories					
<i>Only for S-models</i>					
40	Waste-holding tank cover	50742			06
41	Waste-holding tank insert	50743			06
42	Seal	50749			
43	Seal		50745		06
44	Tube connection				
45	Base			50747	06
46	Base cover				
47	Clicker		50744		06
48	Spring				
49	Level indicator pump out	50746			06
50	Pump	50748			

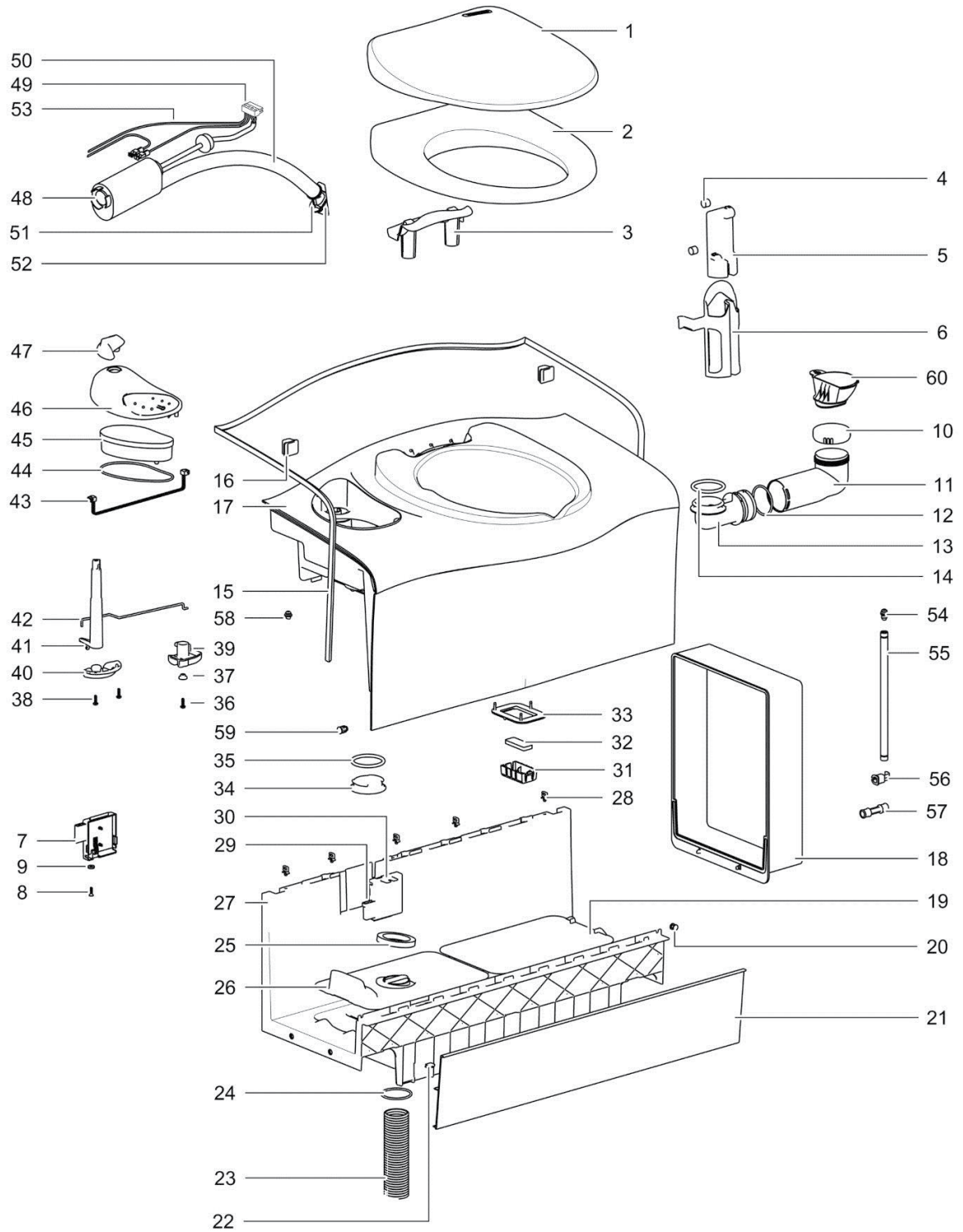
THETFORD SPARES

Colour index sanitation

Colour Numbers	Description	Colour reference
06	Slate Grey	RAL 7015
07	Traffic Grey	RAL 7042
10	Ivory-United States	Not available
16	Turquoise Green	RAL 6016
30	Mocha	NCS S 2005-Y40R
38	Grey Beige	RAL 1019
44	Beige-Europe	PMS 05543P
47	White/Silver	Not available
57	Creamy White	RAL 9001
62	White/Grey	Not available
66	Light Ivory	RAL 1015
68	Grey White	RAL 9002
74	Moon Grey	Pantone 417
78	Yellow	RAL 1003
79	Edelweiss	Ideal-Std. 46
85	Blue	RAL 5015
88	Grey-Brown	Not available
89	Granite	Not available
90	Anthracite Grey	RAL 7016
92	Orange	Not available
111	Signal White	RAL 9003
127	White	NCS S 0300-N
130	Ruby Red	RAL 3003
132	Signal Black	RAL 9004
133	Agate Grey	RAL 7038
135	Light Grey Granite	Not available

THETFORD SPARES

C402C / X



THETFORD SPARES

C402C / X

		Spare part number	Spare part number	Spare part number	Colours available
1	Cover				
2	Seat		51814		62
3	Pod				
4	Magnet				
5	Float box/foam				
6	Float box guiding		32330		62
7	Reed switch housing WT Reed switch PCB		<i>X-model</i>		
8	Screw				
9	Washer				
10	Cap fill bottle	16848			16
11	Waterfill funnel				
12	O-ring		32315		06
13	Fill funnel elbow				
14	O-ring				
15	Wall seal	32311			
16	Wall bracket				
17	Bench				
18	Door interface				
19	Storage cover	51809			62
20	Lock plug <i>toilet produced < May 2004</i>				
21	Kicking plate (4x) Kicking plate LB	32426			62
22	Clip				
23	Vent hose				
24	O-ring		32324		
25	Seal vent plate				
26	Vent plate				
27	Base				
28	Wire clip				
29	Fuse	21766			
30	Reed switch housing + PCB		32317 <i>X-model</i>	32316 <i>C-model</i>	62
31	Magnet basket				
32	Magnet				
33	Retaining plate				
34	Fill plug				
35	O-ring				
36	Screw				
37	Bushing				

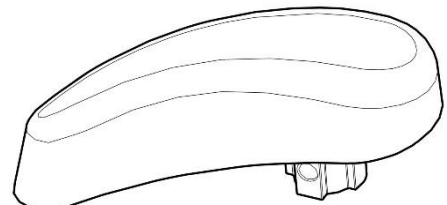
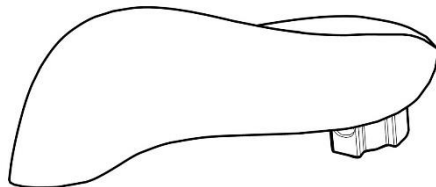
THETFORD SPARES

C402C / X

		Spare part number	Spare part number	Spare part number	Colours available
38	Screw				
39	Saddle				
40	Bracket		51802		
41	Shaft				
42	Link	51806			
43	Wire harness	32319			
44	O-ring				
45	Control well				
46	Control panel MK2		51811	51810	62
47	Handle	Refer to page 69	X-model	C-model	
48	Pump	16374			
49	Connector spare kit PCB	51808			
50	Flush tube				
51	O-ring		51807		62
52	Nozzle				
53	Wire harness main power				
54	Drain connector		51804		74
55	Sight glass		toilets		
56	Clamp		produced >		
57	Drain tube		Oct 2005		
58	Plug sight tube hole <i>toilet produced > Oct 2005</i>				
59	Blind plug <i>toilet produced > Oct 2005</i>				
60	Water fill extension	32329			16

Handles

Handle



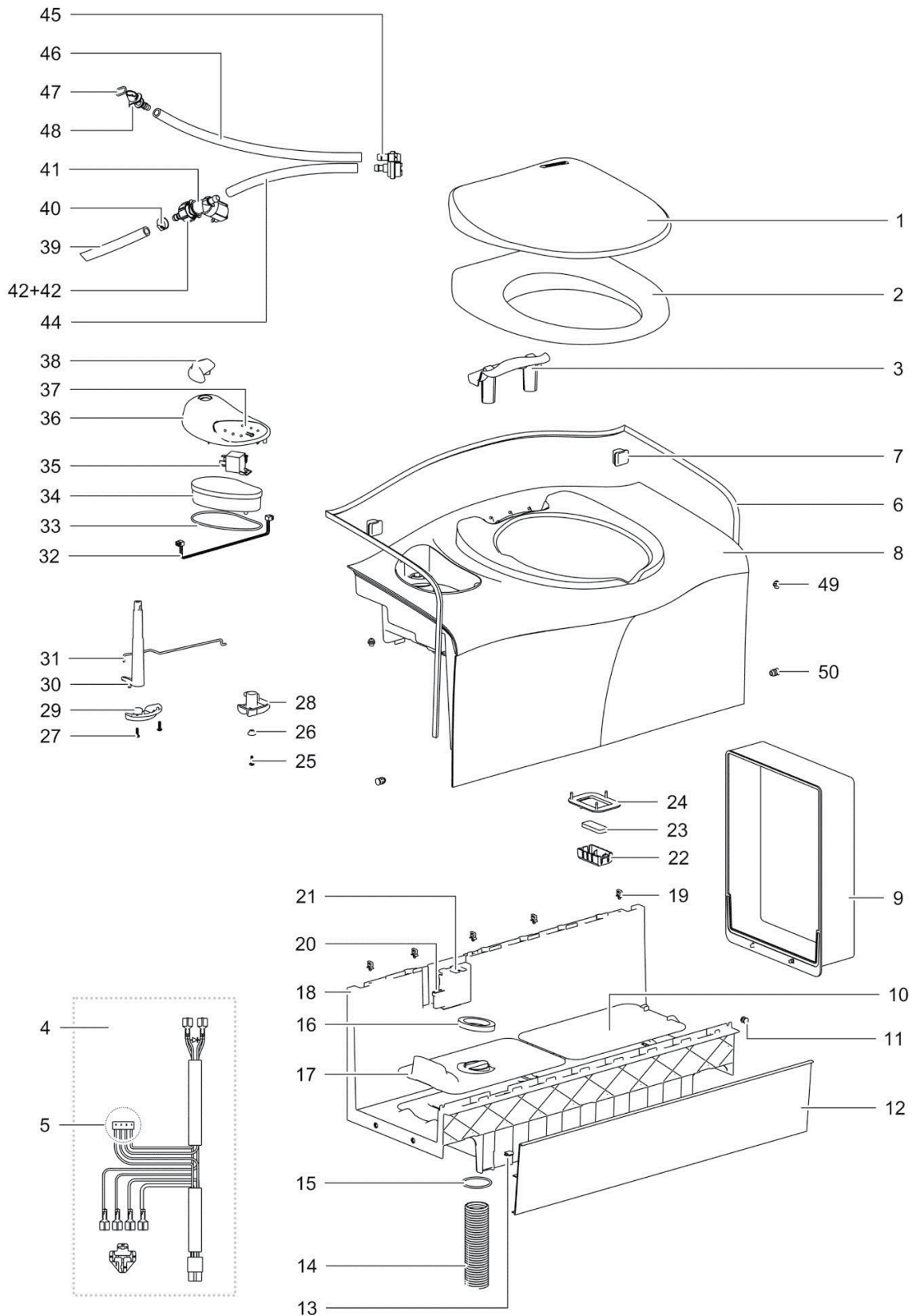
Spare part number

51803-62

51813-62

THETFORD SPARES

C403L



THETFORD SPARES

C403L

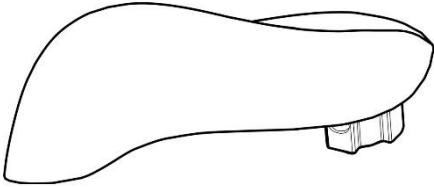
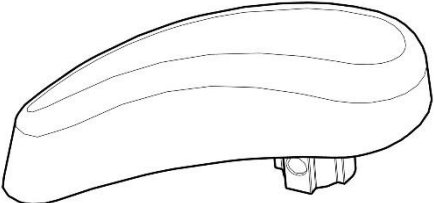
		Spare part number	Spare part number	Colours available
1	Cover			
2	Seat		51814	62
3	Pod			
4	Wire harness			
5	Wall seal	32311		
6	Connector spare kit PCB	51808		
7	Bracket			
8	Bench			
9	Door interface			
10	Storage cover	51809		62
11	Lock plug <i>toilet produced < May 2004</i>			
	Kicking plate (4x)		32426	62
12	Kicking plate LB			
13	Clip			
14	Vent hose			
15	O-ring		32324	
16	Seal vent plate			
17	Vent plate			
18	Base			
19	Wire clip			
20	Fuse	21766		
21	Reed switch housing HT and PCB		32317	62
22	Magnet basket			
23	Magnet			
24	Retaining plate			
25	Screw			
26	Bushing			
27	Screw			
28	Saddle			
29	Bracket		51802	
30	Shaft			
31	Link	51806		
32	Wire harness	32319		
33	O-ring			
34	Control well			
35	Relais	20106		
36	Control panel MK2		51812	62
37	Handle	<i>Refer to page 73</i>		62

THETFORD SPARES

C403L

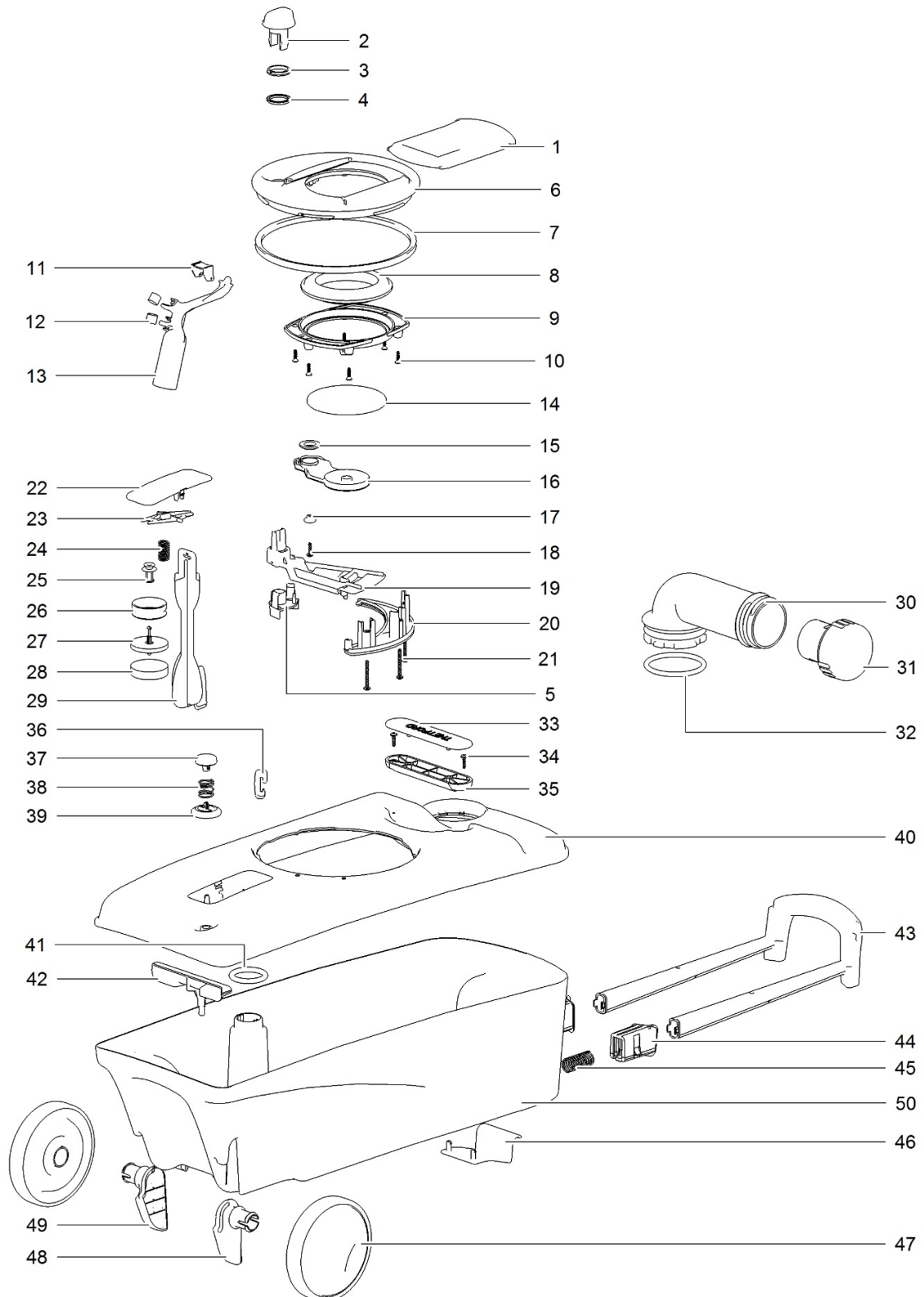
		Spare part number	Spare part number	Colours available
38	Water supply tube			
39	Clamp			
40	Electric valve	23709		
	Hose barb			
41	Hose nut		23851	
42	Water tube			
43	Vacuum breaker	16833		
44	Flush tube			
45	O-ring			
46	Nozzle			
47	Plug sight tube hole <i>toilet produced > Oct 2005</i>			
48	Blindplug <i>toilet produced > Oct 2005</i>			

Handles

Handle		
		
	51803-62	
		
		51813-62
Spare part number		

THETFORD SPARES

C400 waste-holding tank



THETFORD SPARES

C400 waste-holding tank

		Spare part number	Spare part number	Spare part number	Colours available	
1	Sliding cover	32301			06	
2	Blade opener		32331 <i>Mechanism Right</i>	32332 <i>Mechanism Left</i>		
3	Washer	32300				16
4	Seal parker					
5	Mechanism retainer					
6	Holding tank plate					
	Left hand version				32302	
	Right hand version	32328				06
7	Seal mechanism	50724				
8	Lip seal	23721				
9	Seal plate					
10	Screw					06
11	Retainer					
12	Magnet	32304				
13	Float arm					
14	Blade	50731				
15	Bearing					
16	Blade arm					
17	Bushing					
18	Screw					
19	Blade driver					
20	Support track					
21	Screw					

THETFORD SPARES

C400 waste-holding tank

	Spare part number	Spare part number	Spare part number	Colours available
22	Vent lid			
23	Vent lifter			
24	Vent Spring			
25	Vent pivot			
26	Vent seal	32305		
27	Float stem			
28	Float			
29	Vent actuator			
30	Pour out spout	32306		06
31	Measuring cup	25810		16
32	O-ring			
33	Handle cover			
34	Screw			
35	Handle			
36	Vent clip			
37	Vent button			
38	Vent spring	32307		16
39	Vent seal			
40	Waste-holding tank upper			
41	O-ring			
42	Wheel support bracket			
43	Pull handle			
44	Bushing (Left/Right)	51805		16
45	Spring			
46	Tank lock clip	51801		16
47	Wheel			
48	Wheel bearing right	32308		06
49	Wheel bearing left			
50	Waste-holding tank lower			
	Waste-holding tank complete	32327 <i>Right hand version</i>	32326 <i>Left hand version</i>	06

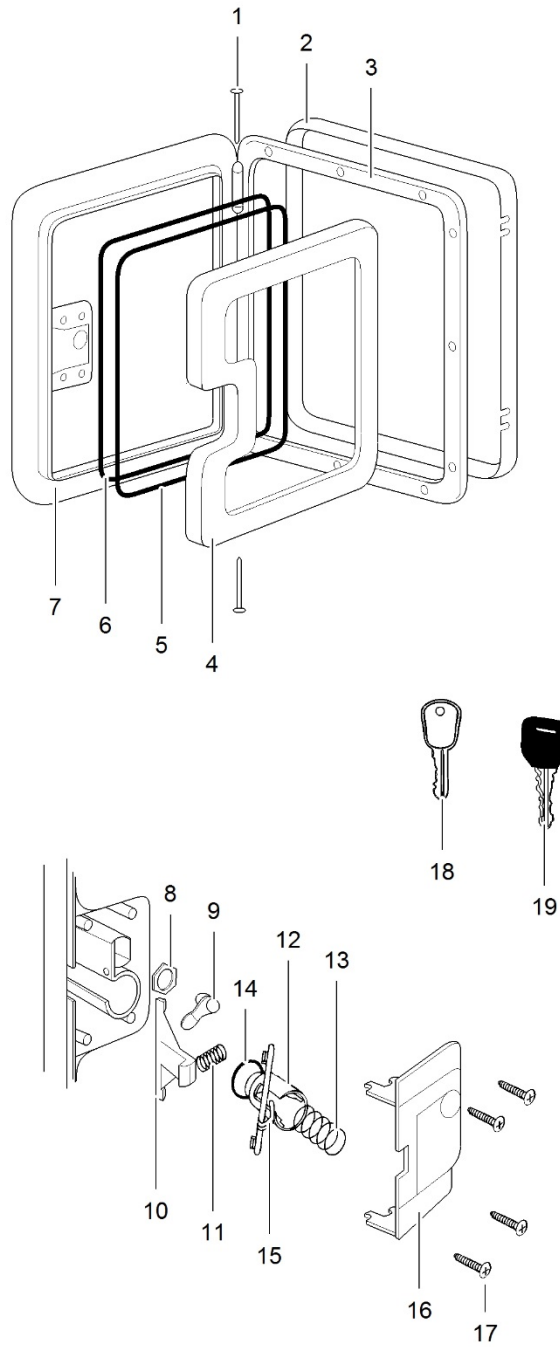
THETFORD SPARES

Colour index sanitation

Colour Numbers	Description	Colour reference
06	Slate Grey	RAL 7015
07	Traffic Grey	RAL 7042
10	Ivory-United States	Not available
16	Turquoise Green	RAL 6016
30	Mocha	NCS S 2005-Y40R
38	Grey Beige	RAL 1019
44	Beige-Europe	PMS 05543P
47	White/Silver	Not available
57	Creamy White	RAL 9001
62	White/Grey	Not available
66	Light Ivory	RAL 1015
68	Grey White	RAL 9002
74	Moon Grey	Pantone 417
78	Yellow	RAL 1003
79	Edelweiss	Ideal-Std. 46
85	Blue	RAL 5015
88	Grey-Brown	Not available
89	Granite	Not available
90	Anthracite Grey	RAL 7016
92	Orange	Not available
111	Signal White	RAL 9003
127	White	NCS S 0300-N
130	Ruby Red	RAL 3003
132	Signal Black	RAL 9004
133	Agate Grey	RAL 7038
135	Light Grey Granite	Not available
142	Fiat Ducato	RAL 7016

THETFORD SPARES

D2 (last production in 2012)



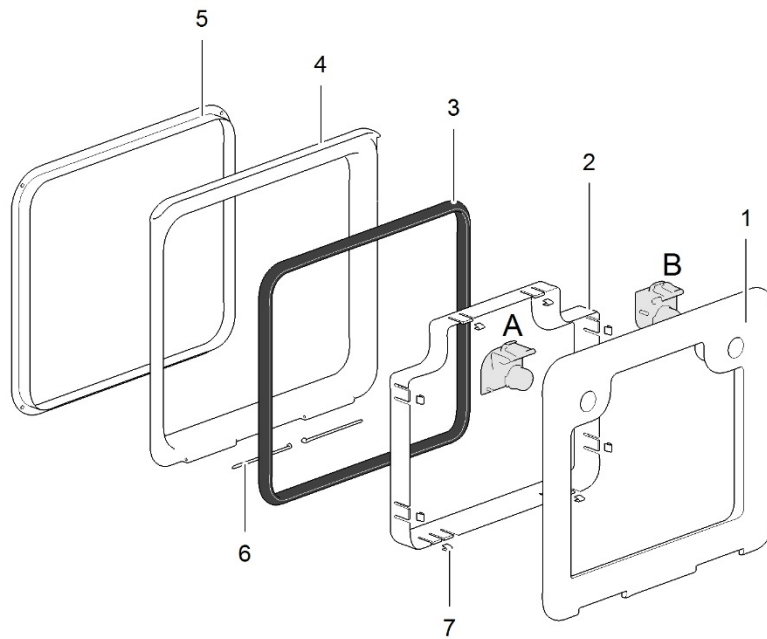
THETFORD SPARES

D2 (last production in 2012)

	Spare part number	Spare part number	Colours available
1	Hinge pin	16899	
2	Frame sleeve		
3	Frame outer		
4	Door inner		
5	Door seal	21111	
6	Triangle seal		
7	Door outer		
8	Housing nut		
9	Lock pawl		
10	Latch		
11	Spring		
12	Button		
13	Spring button		
14	O-ring		
15	Lever door		
16	Back plate		
17	Screw		
18	Key Oberholz		
19	Key Zadi		
	Lock cover	21109	56, 57, 58
	Lock Oberholz complete		
	Lock Zadi complete	16831	57
	Service door complete <i>incl. lock Zadi</i>	26614	57

THETFORD SPARES

D3

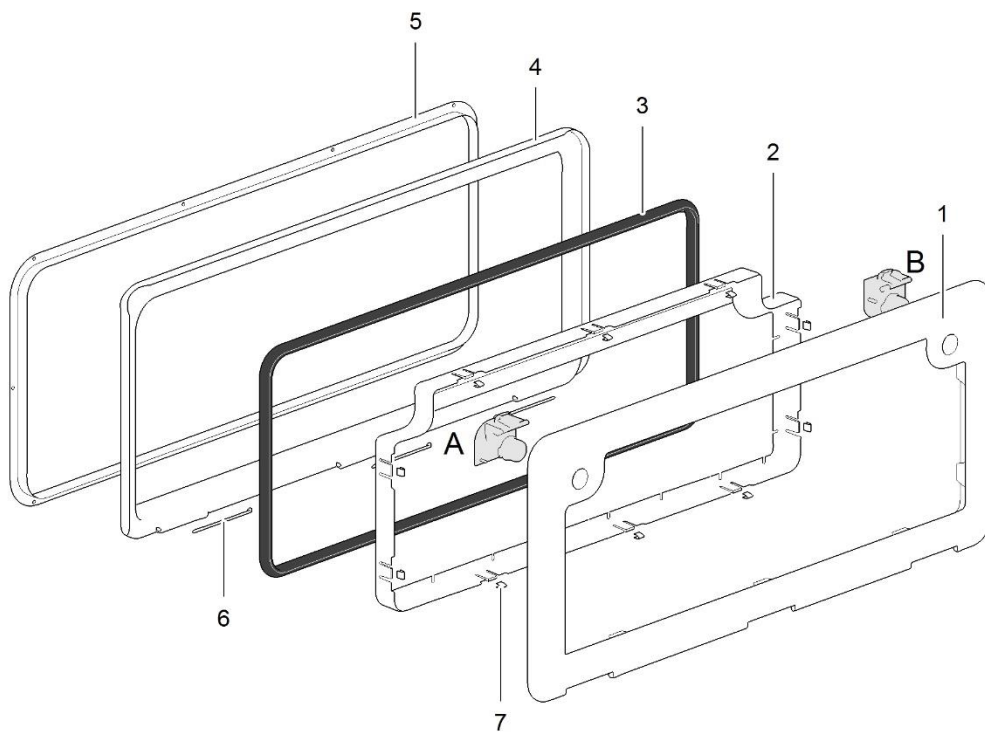


	Spare part number	Spare part number	Colours available
1	Door outer		
2	Door inner		
3	Door seal	26601	
4	Frame outer		
5	Frame inner		
6	Hinge pin	26602	
7	Door clip (18x)	26634	
		26628 <i>without locks</i>	15, 22, 25, 27, 57, 58, 76, 80, 84

For parts A and B refer to page 14

THETFORD SPARES

D4

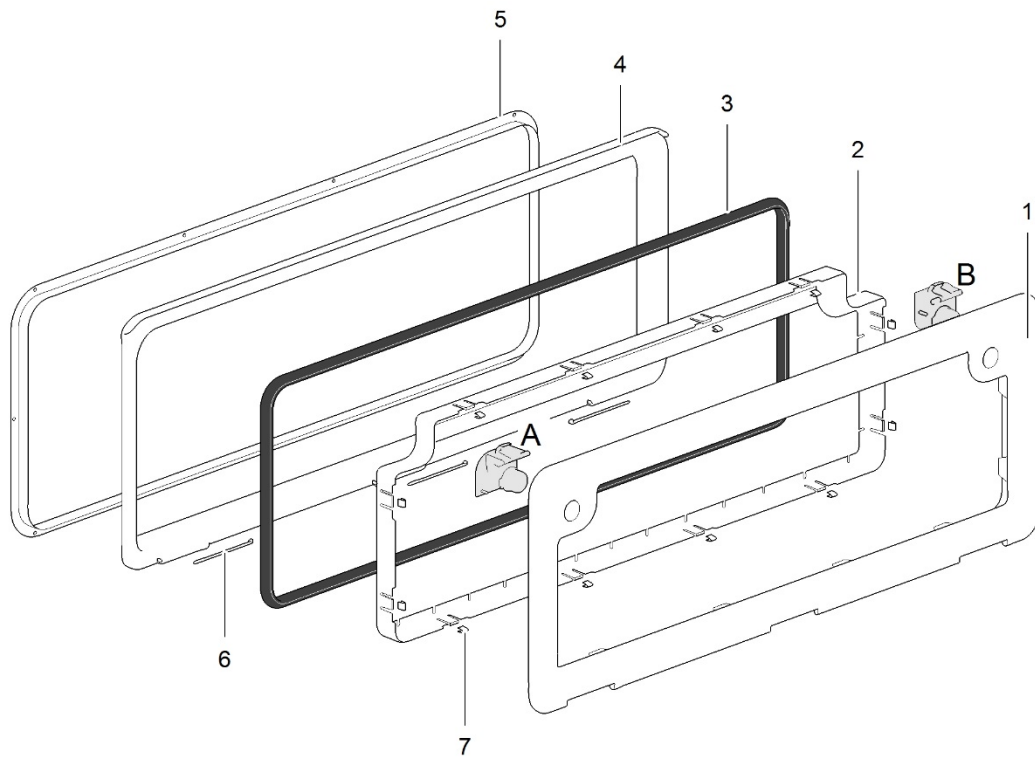


	Spare part number	Spare part number	Colours available
1	Door outer		
2	Door inner		
3	Door seal	26605	
4	Frame outer	26629 <i>without locks</i>	22, 25, 27, 57, 76, 80, 84
5	Frame inner		
6	Hinge pin	26602	
7	Door clip (18x)	26634	

For parts A and B refer to page 14

THETFORD SPARES

D5

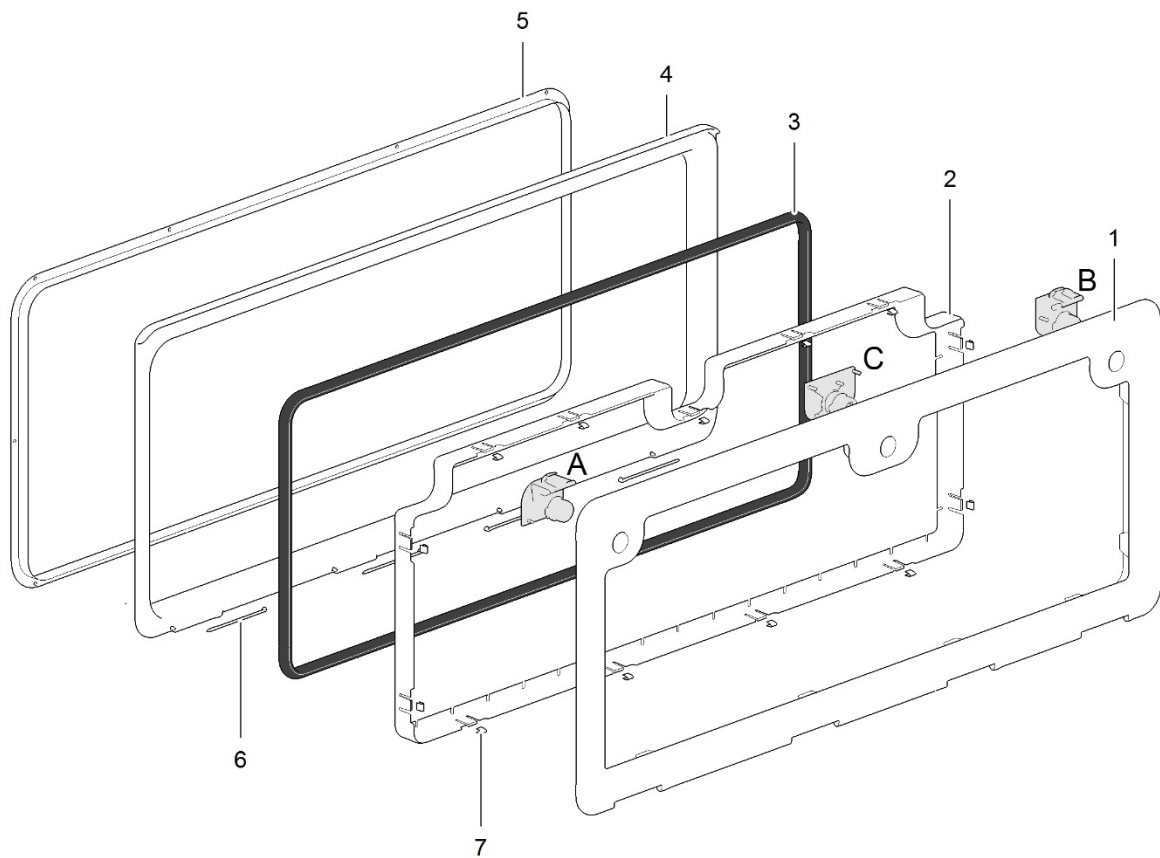


		Spare part number	Spare part number	Colours available
1	Door outer			
2	Door inner			
3	Door seal	26610	26630 <i>without locks</i>	15, 22, 25, 27, 57, 58, 76, 80, 84
4	Frame outer			
5	Frame inner			
6	Hinge pin	26602		
7	Door clip (18x)	26634		

For parts A and B refer to page 14

THETFORD SPARES

D6

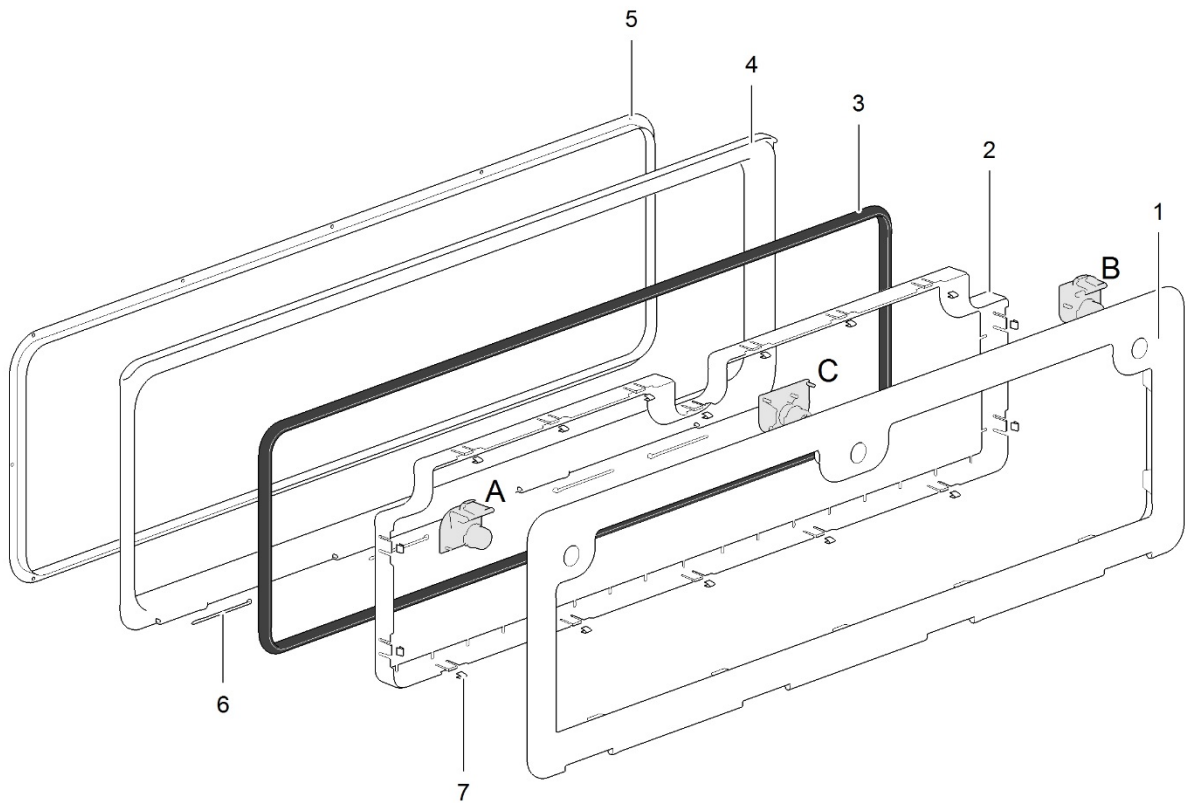


	Spare part number	Spare part number	Colours available
1	Door outer		
2	Door inner		
3	Door seal	26611	
4	Frame outer	26631 <i>without locks</i>	22, 25, 27, 57, 58, 76, 80, 84
5	Frame inner		
6	Hinge pin	26602	
7	Door clip (18x)	26634	

For parts A, B and C refer to page 14

THETFORD SPARES

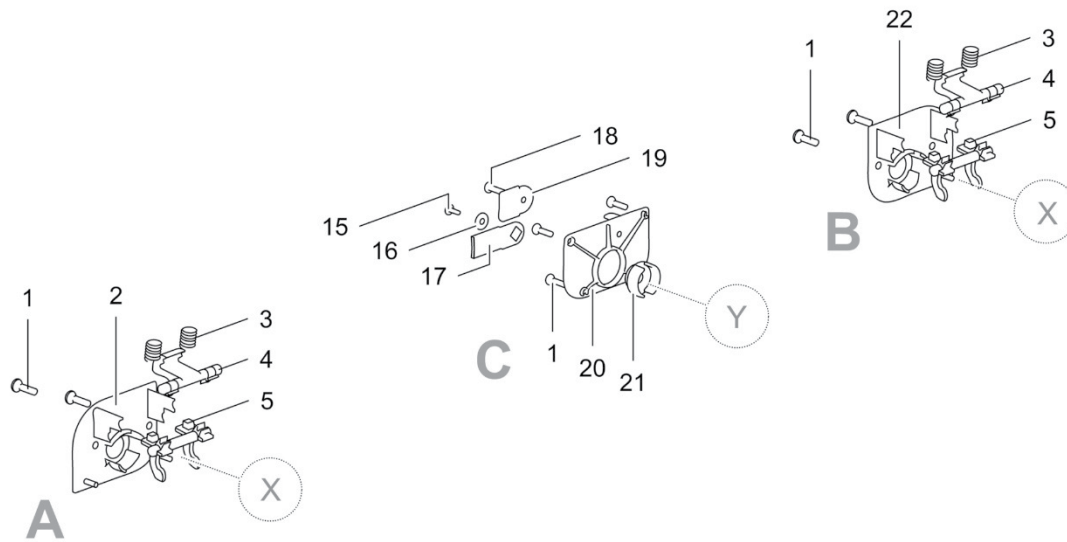
D7



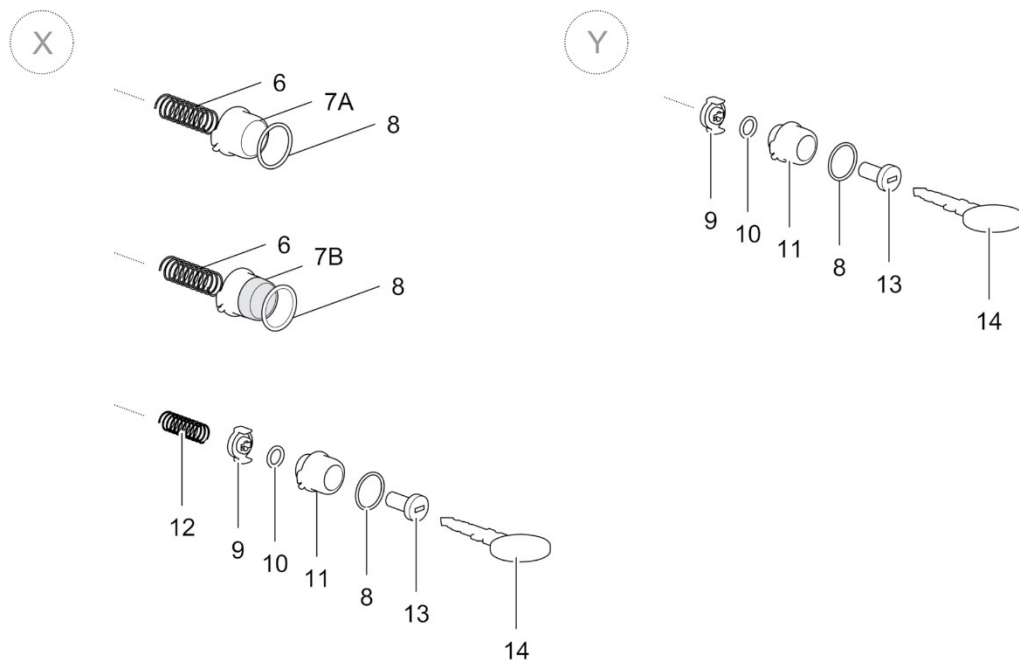
	Spare part number	Spare part number	Colours available
1	Door outer		
2	Door inner		
3	Door seal	26612	
4	Frame outer	26632	22, 25, 76, 80,
5	Frame inner	<i>without locks</i>	84
6	Hinge pin	26602	
7	Door clip (18x)	26634	

For parts A, B and C refer to page 14

Base



Locks and buttons



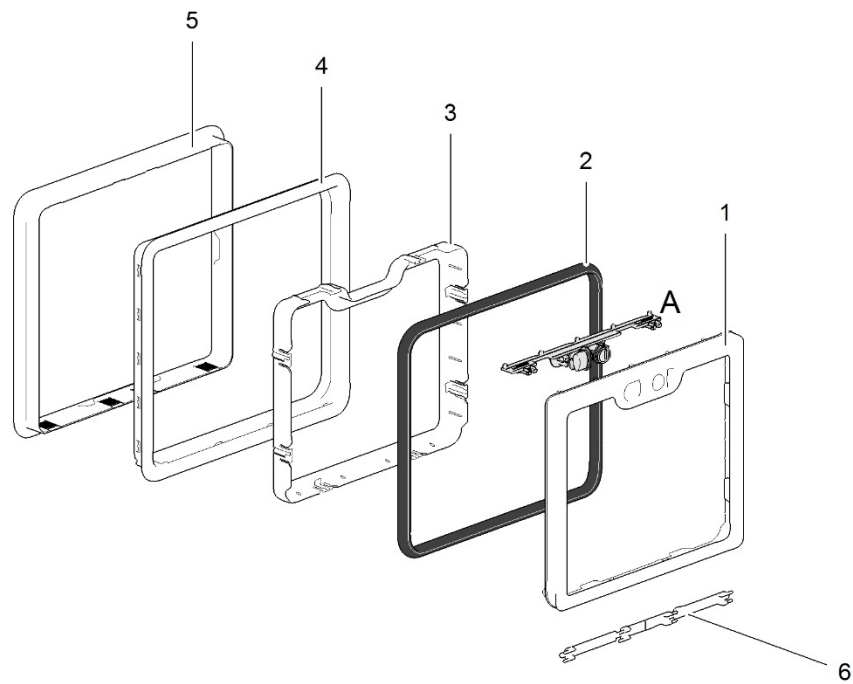
THETFORD SPARES

Service doors locks & buttons

		Spare part number	Spare part number	Colours available
1	Screw			
2	Back plate (right)			
3	Spring			
4	Latch			
5	Lever			
6	Spring			
7A	Button	26603		27, 57, 58, 80, 84
7B	Push button magnet	26622		
8	O-ring			
9	Pawl			
10	O-ring			
11	Lock housing			
	<i>FAWO 1 – (F/W)</i>	26606		57, 58, 80, 84
	<i>FAWO 2 (F(2))</i>		26608	27, 57, 58, 80, 84
	<i>ZADI (ZA)</i>		26607	27, 57, 58, 80, 84
	<i>West Alloy Snake Lock (WS)</i>			58, 80
12	Spring			
13	Lock ZADI			
14	Key		26604	
15	Screw			
16	Washer			
17	Latch			
18	Screw			
19	Latch bar			
20	Back plate (centre)			
21	Pawl extension			
22	Back plate (left)			
A + B	Kit for Service door 3, 4 & 5 <i>incl. #6, #8, #12</i>		26626	27, 57, 58, 80, 84
A + B + C	Kit for Service door 6 & 7 <i>incl. #6, #8, #12</i>		26625	27, 57, 58, 80, 84

THETFORD SPARES

FD3 | 1114

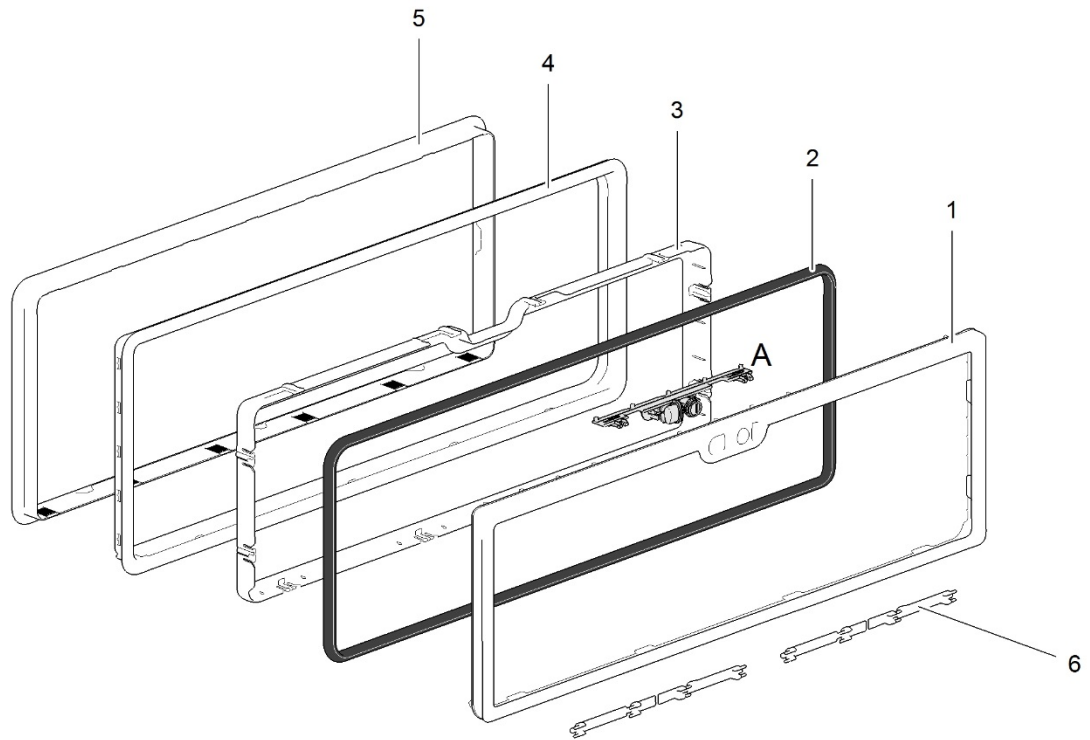


		Spare part number	Spare part number	Colours available
1	Door outer			
2	Door seal	26901		
3	Door inner			
4	Frame outer			
5	Frame inner			
6	Hinge pin (2x)	26430		

For part A refer to page 20

THETFORD SPARES

FD5 | 1114

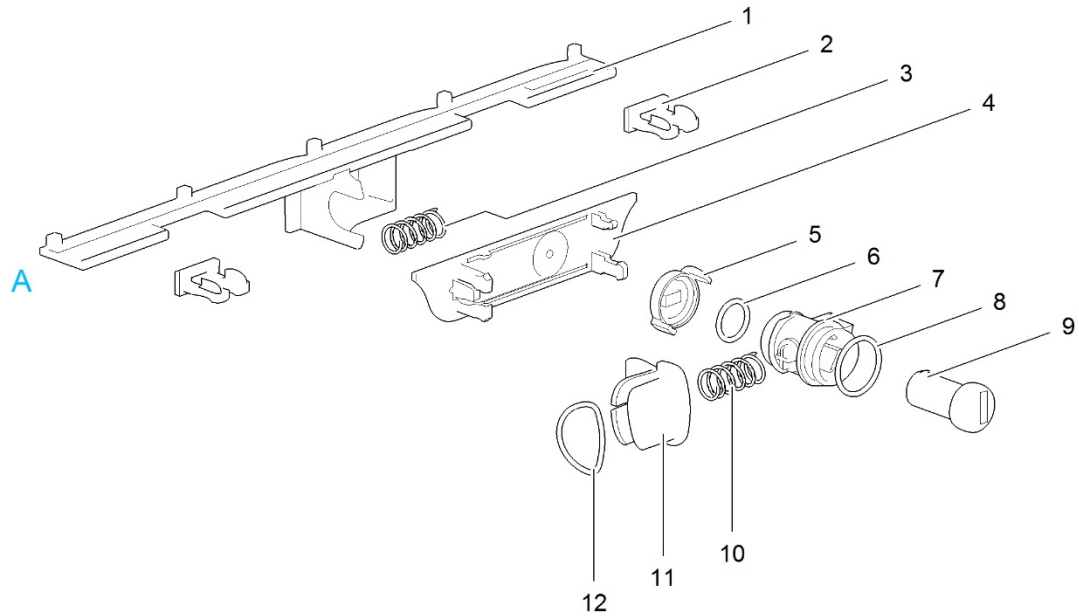


	Spare part number	Spare part number	Colours available
1	Door outer		
2	Door seal	26917	
3	Door inner		
4	Frame outer		
5	Frame inner		
6	Hinge pin (2x)	26430	

For part A refer to page 20

THETFORD SPARES

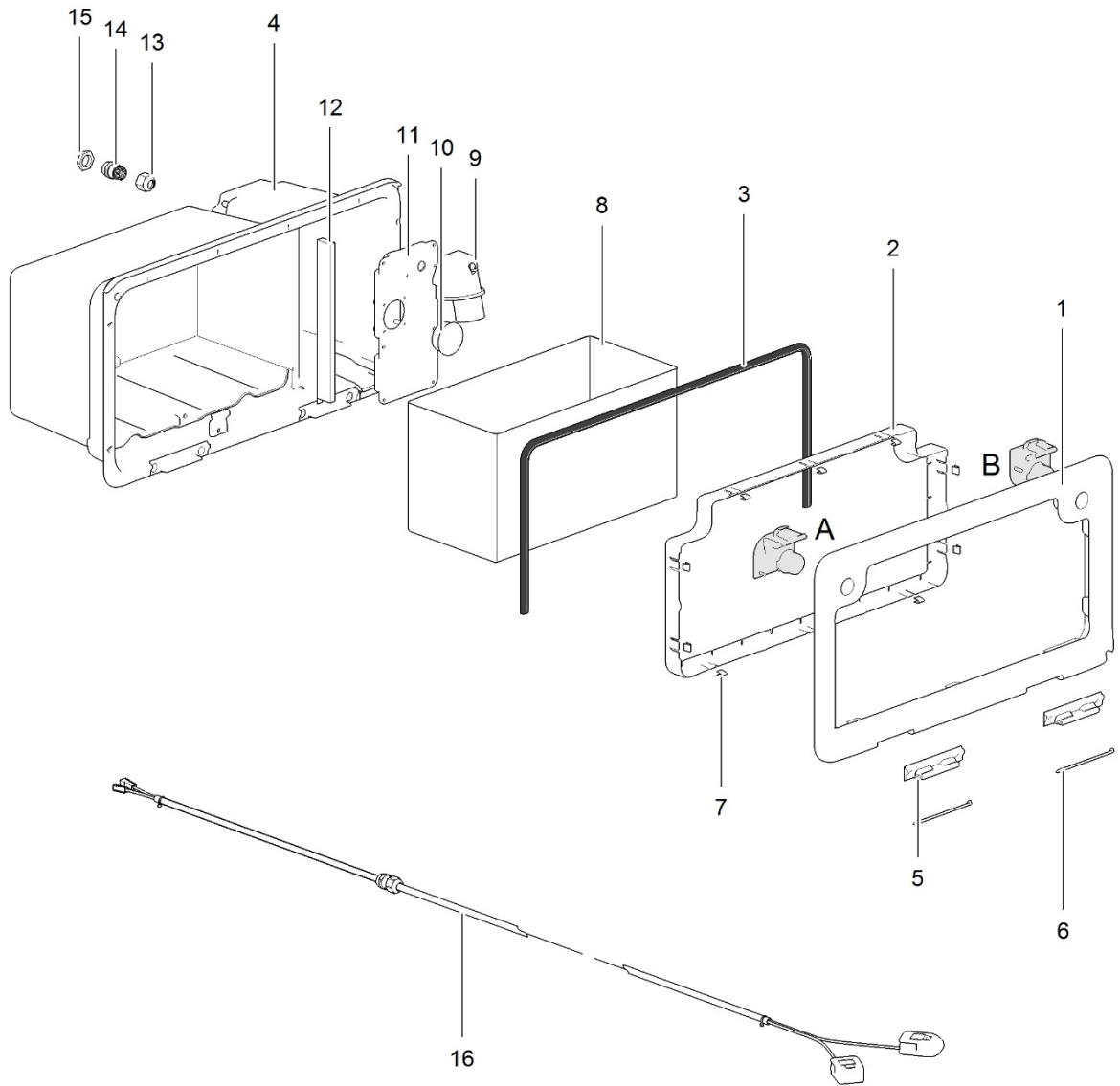
Flush doors locks & buttons



	Spare part number	Spare part number	Colours available
1	Lock plate		
2	Lock plate fixation		
3	Spring		
4	Cover plate		
5	Lock end cap		
6	O-ring		
7	Lock holder		
8	O-ring		
9	Lock		
10	Spring		
11	Button		
12	O-ring		

THETFORD SPARES

Battery Box | 1114



THETFORD SPARES

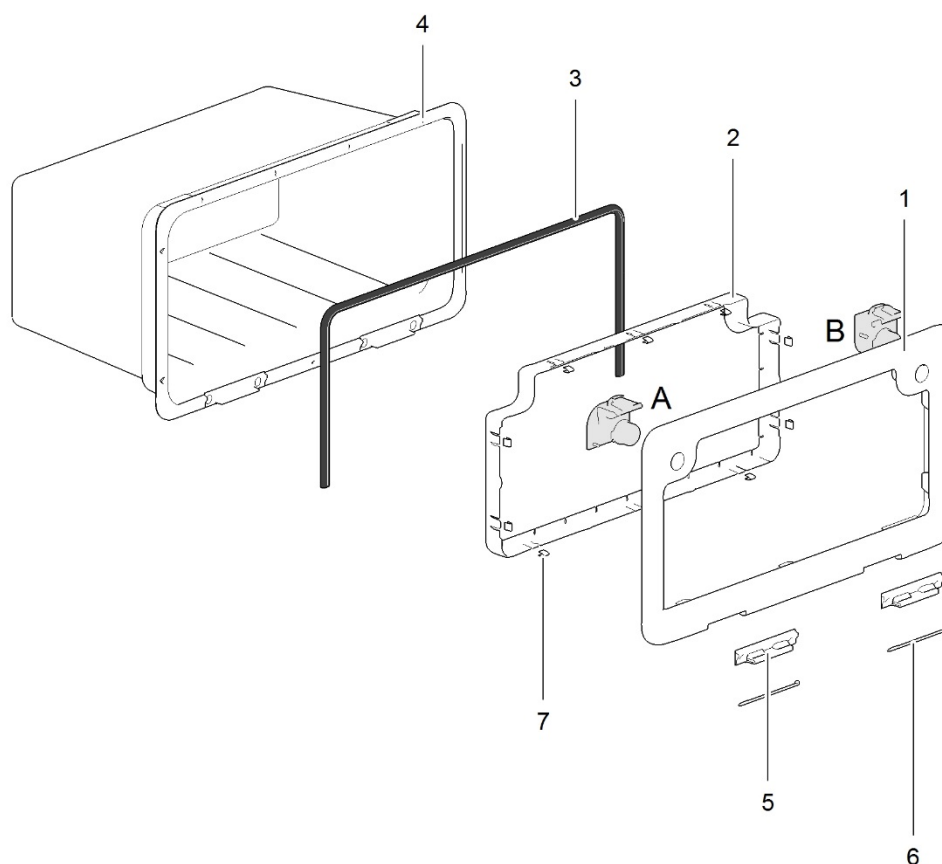
Battery Box

		Spare part number	Spare part number	Colours available
1	Door outer hook			
2	Door inner screw			
3	Door seal clamping plate			
4	Battery box			
5	Hinge			
6	Hinge pin	26602		
7	Door clip (18x)	26634		
8	Soft tray	26620		
9	CEE socket			
10	Blind plug			
11	Mounting plate			
12	Foam divider			
13	Nut PG 13,5			
14	Grommet PG 13,5			
15	Nut			
16	12V Wire harness			

For parts A and B refer to page 14

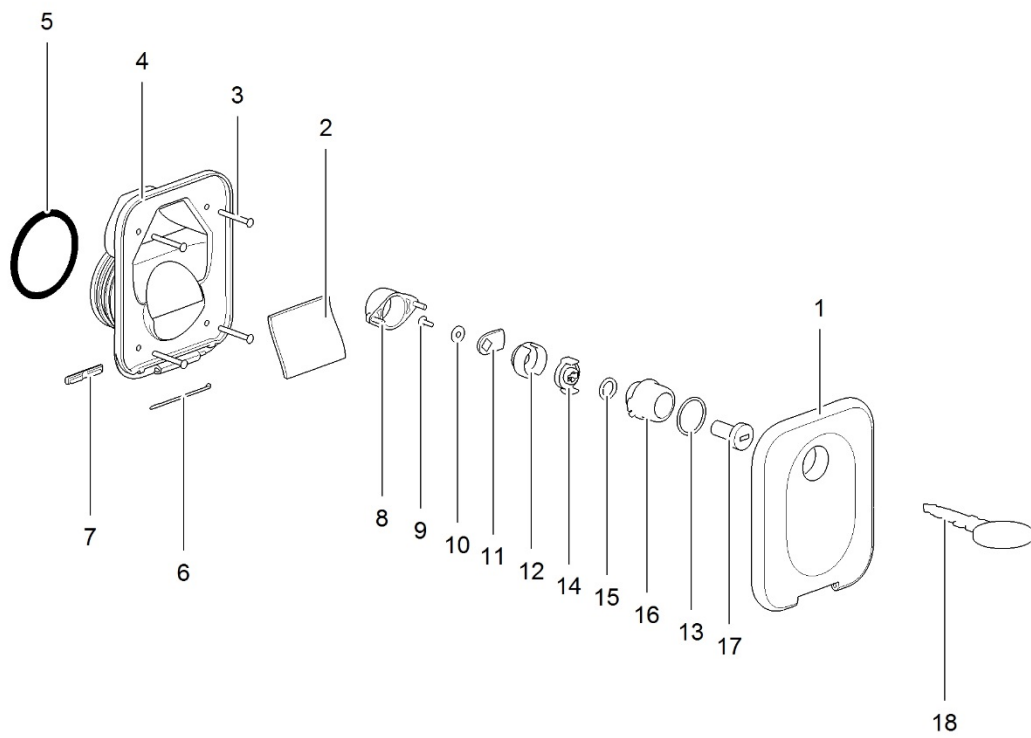
THETFORD SPARES

Wet Locker Box



	Spare part number	Spare part number	Colours available
1	Door outer		
2	Door inner		
3	Door seal		
4	Wet locker box		
5	Hinge		
6	Hinge pin	26602	
7	Door clip (18x)	26634	

For parts A and B refer to page 14



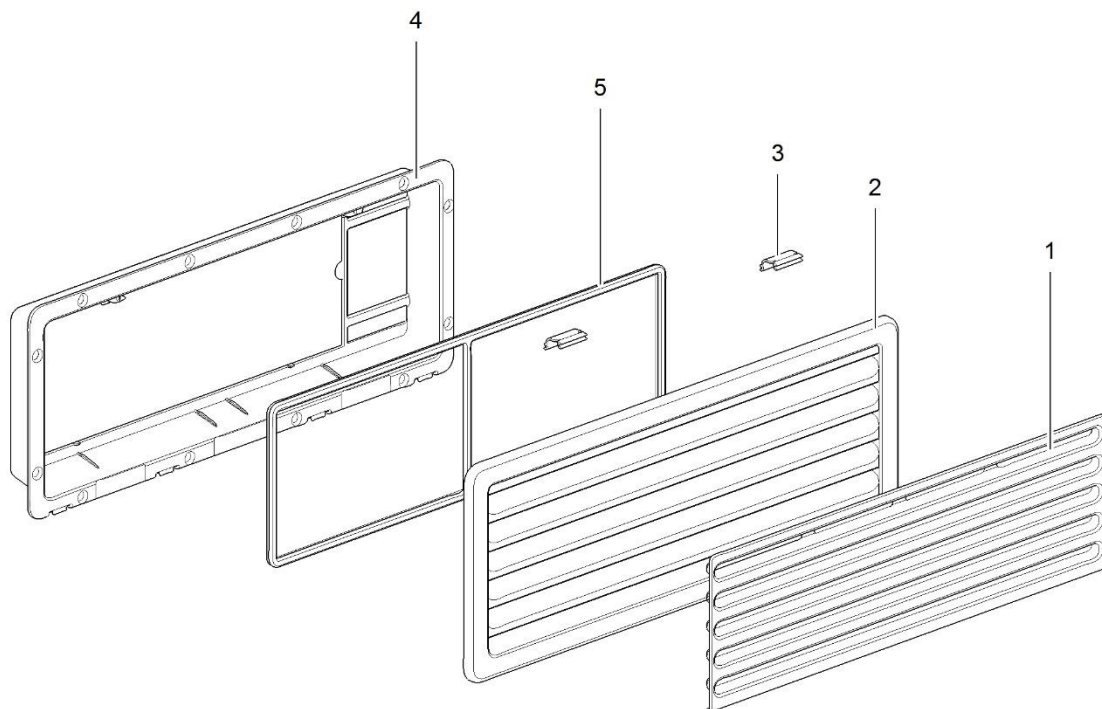
THETFORD SPARES

WATER FILL DOOR

		Spare part number	Spare part number	Spare part number	Colours available
1	Door				
2	Seal				
3	Screws				
4	Frame				
5	O-ring				
6	Hinge pin	26602			
7	Hinge pin guide				
8	Bracket			23791	22, 25, 57, 76, 80, 84
9	Screw				
10	Washer				
11	Latch				
12	Pawl extension				
13	O-ring				
14	Pawl				
15	O-ring				
16	Lock housing				
	<i>FAWO 1 (F/W)</i>	26606			57,58,80,84
	<i>FAWO 2 (F2)</i>		26608		27,57,58,80,84
	<i>ZADI (ZA)</i>			26607	27,57,58,80,84
	<i>West Alloy Snake lock (WS)</i>			26621	58, 80
17	Lock ZADI				
18	Key		26604		

THETFORD SPARES

Vent 186 x 483

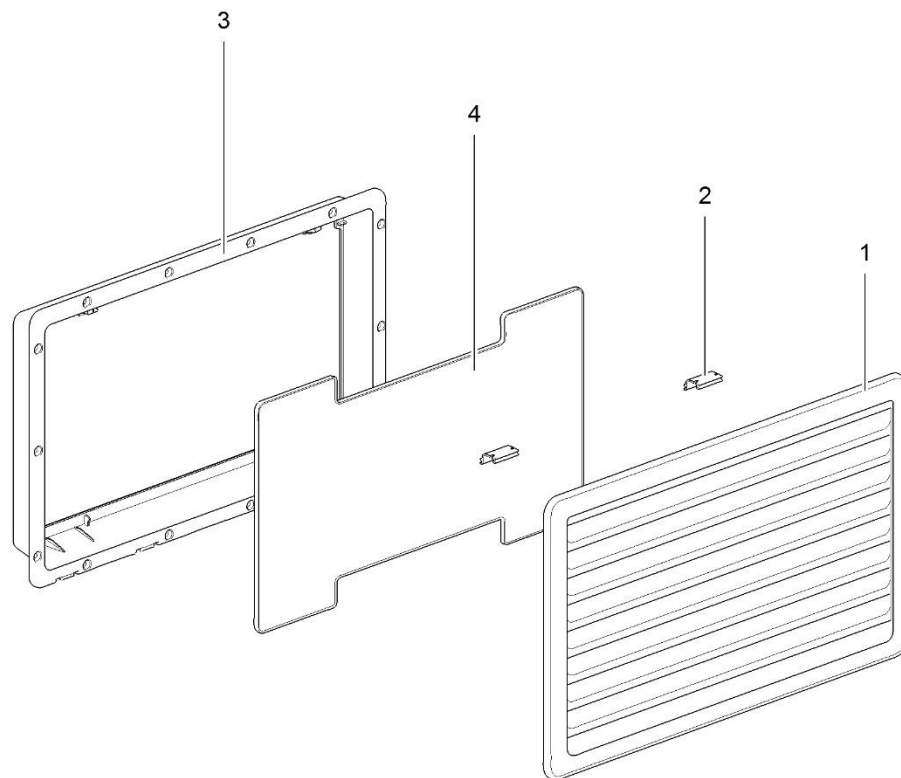


		Spare part number	Spare part number	Colours available
1	Cover	624455		15, 22, 25, 27, 57, 80, 84
2	Vent outer		624454	15, 22, 25, 27, 57, 76, 80, 84
3	Lock clip	628449		
4	Frame			
5	Screen	691128		80

Vent 186 x 483 is mainly used for small fridges.

THETFORD SPARES

Vent 257 x 432 | 1114

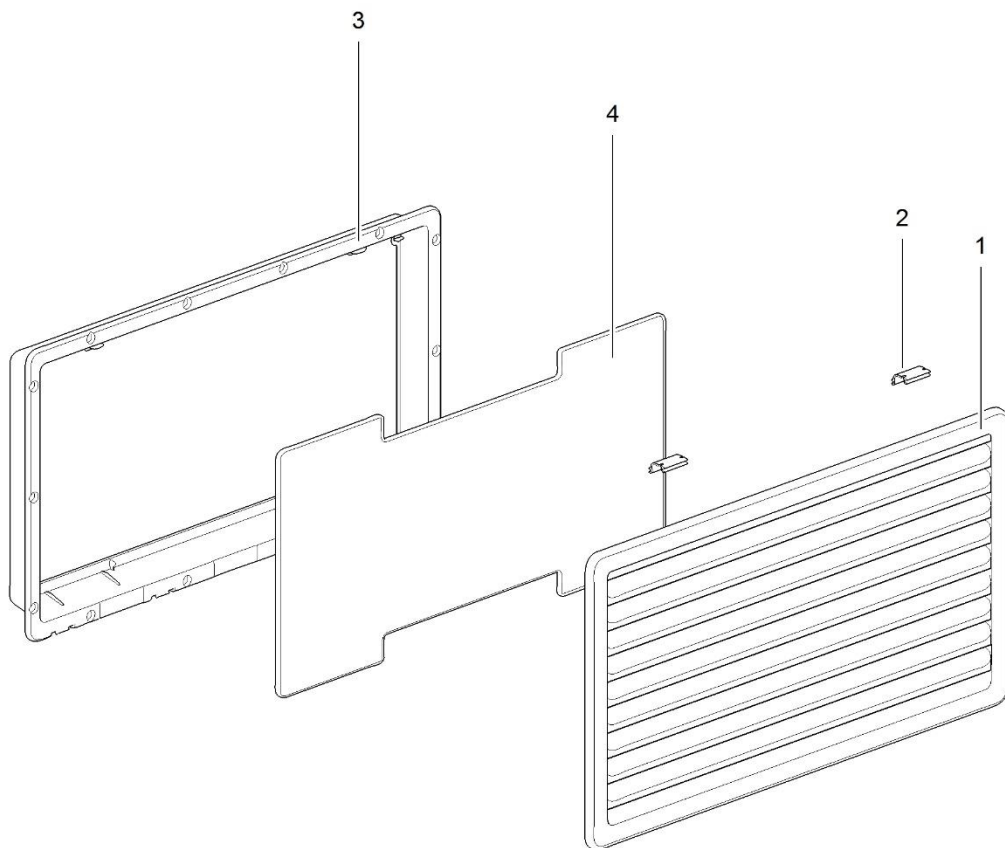


		Spare part number	Spare part number	Colours available
1	Vent outer		691100	22, 25, 76, 80, 84
2	Lock clip	628449		
3	Frame			
4	Cover	691099		80

Vent 257 x 432 is mainly used for N3141/N3142.

THETFORD SPARES

Vent 281 x 523 | 1114



	Spare part number	Spare part number	Colours available
1 Vent outer		631140	15, 22, 25, 27, 57, 76, 80, 84
2 Lock clip	628449		
3 Frame			
4 Cover	631150		80

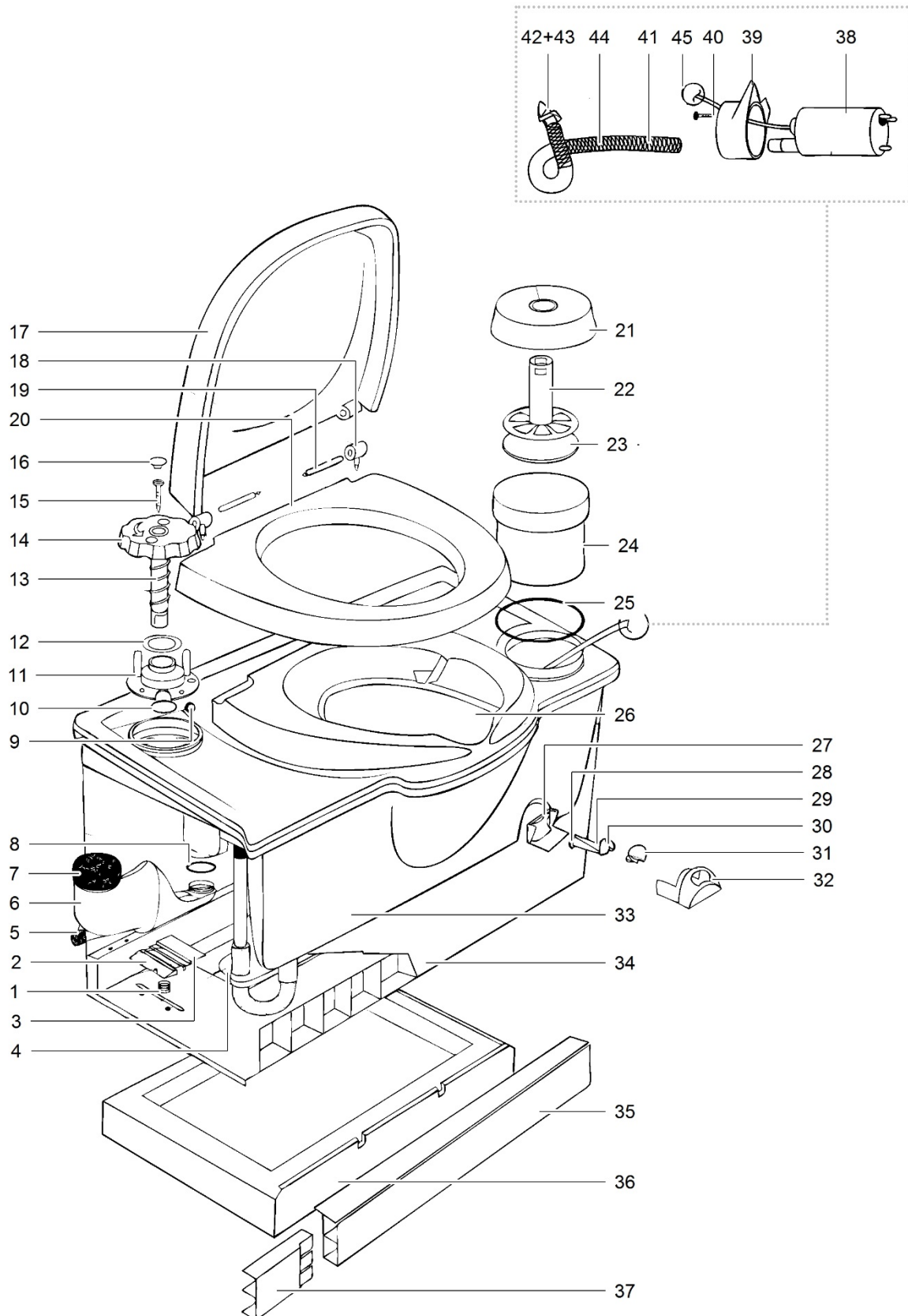
Vent 281 x 523 is mainly used for large fridges.

THETFORD SPARES

Colour index exteriors

Colour Numbers	Description	Colour reference
15	Light Grey	NCS S 3000-N
22	White	NCS S1002-G50Y
25	Dark Grey	NCS S 7000-N
27	Black	RAL 9005
56	Very Dark Brown	BASF P30782T
57	Creamy White	RAL 9001
58	Slate Grey	RAL 7015
76	Light Grey	RAL 7035
80	Pure White	RAL 9010
84	Fiat Bianco	NCS S 1002-B
142	Fiat Ducato	RAL 7016

C2 (last production in 2007)



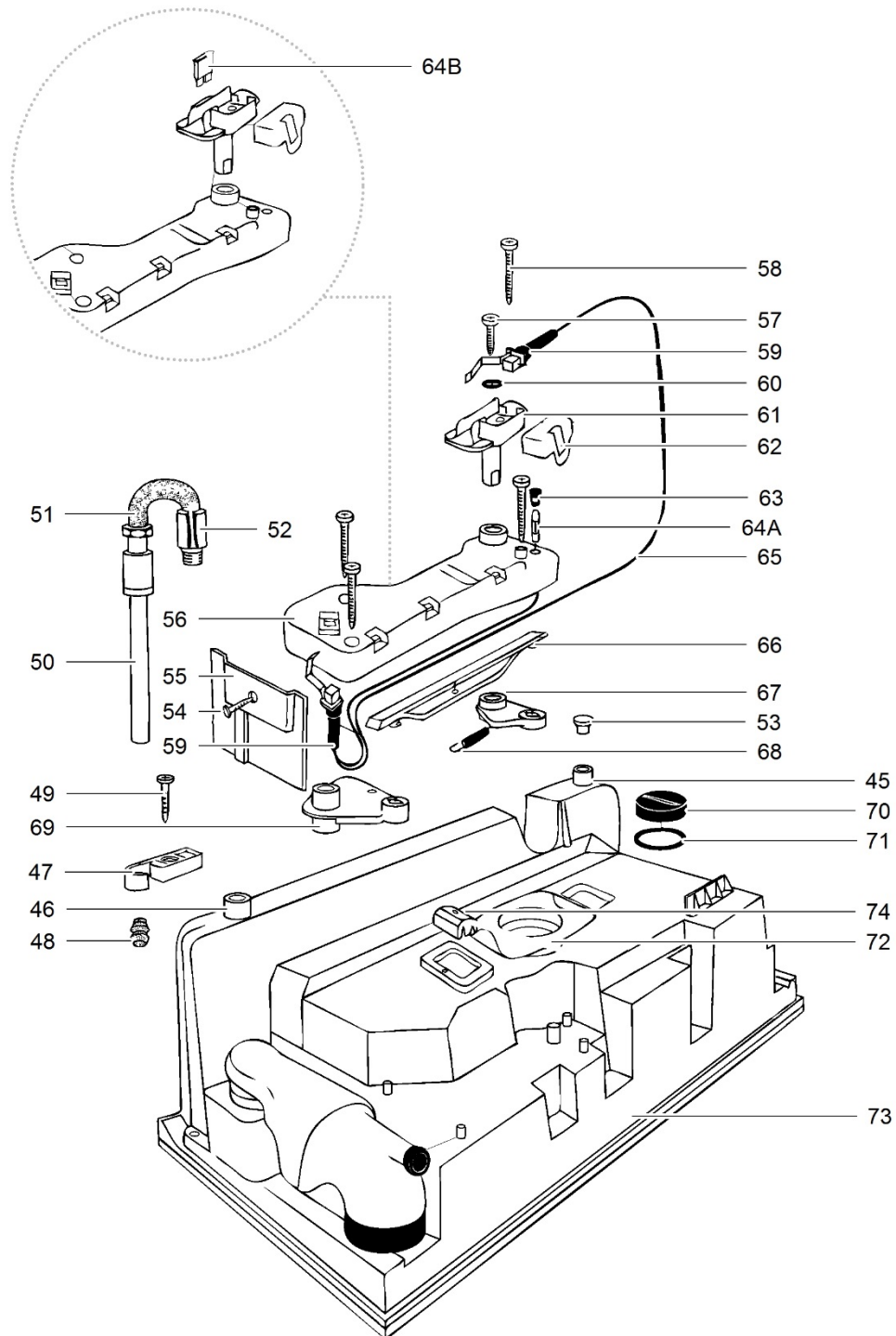
THETFORD SPARES

C2 (last production in 2007)

	Spare part number	Spare part number	Colours available
1	Spring clip retainer	16169	
2	Clip retainer	16350	78
3	Clip		
4	Drip tray	16166	78
5	Draincap waterfill funnel	16385	78
6	Waterfill funnel	16381	74
7	Cap waterfill funnel		16848
8	O-ring		
9	Ball float		
10	O-ring		
11	Stop retainer	16377	62
12	Nylon bushing		
13	Spring flush knob		
14	Flush knob		
15	Screw		
16	Plug flush knob		
17	Cover	16183	62
18	Hinge post		
19	Hinge pin		
20	Seat		
21	Tissue cap		
22	Tissue holder		
23	Tissue bracket		
24	Tissuwell		
25	O-ring	16731	
26	Bowl		
27	Dial support	16171	62
28	Magnet		
29	Level indicator dial		
30	Decal level indicator		
31	Lens		
32	Level indicator bezel		
33	Watertank		
34	Base		
35	Frontpanel		
36	Basepad		
37	Extension frontpanel	16266	62
38	Pump	16374	
39	Pump retainer		
40	Screw		
41	Flush tube	16378	62
42	O-ring		
43	Nozzle		
44	Flow restrictor		
45	Pump connector	21050	

THETFORD SPARES

C2 bench (last production in 2007)



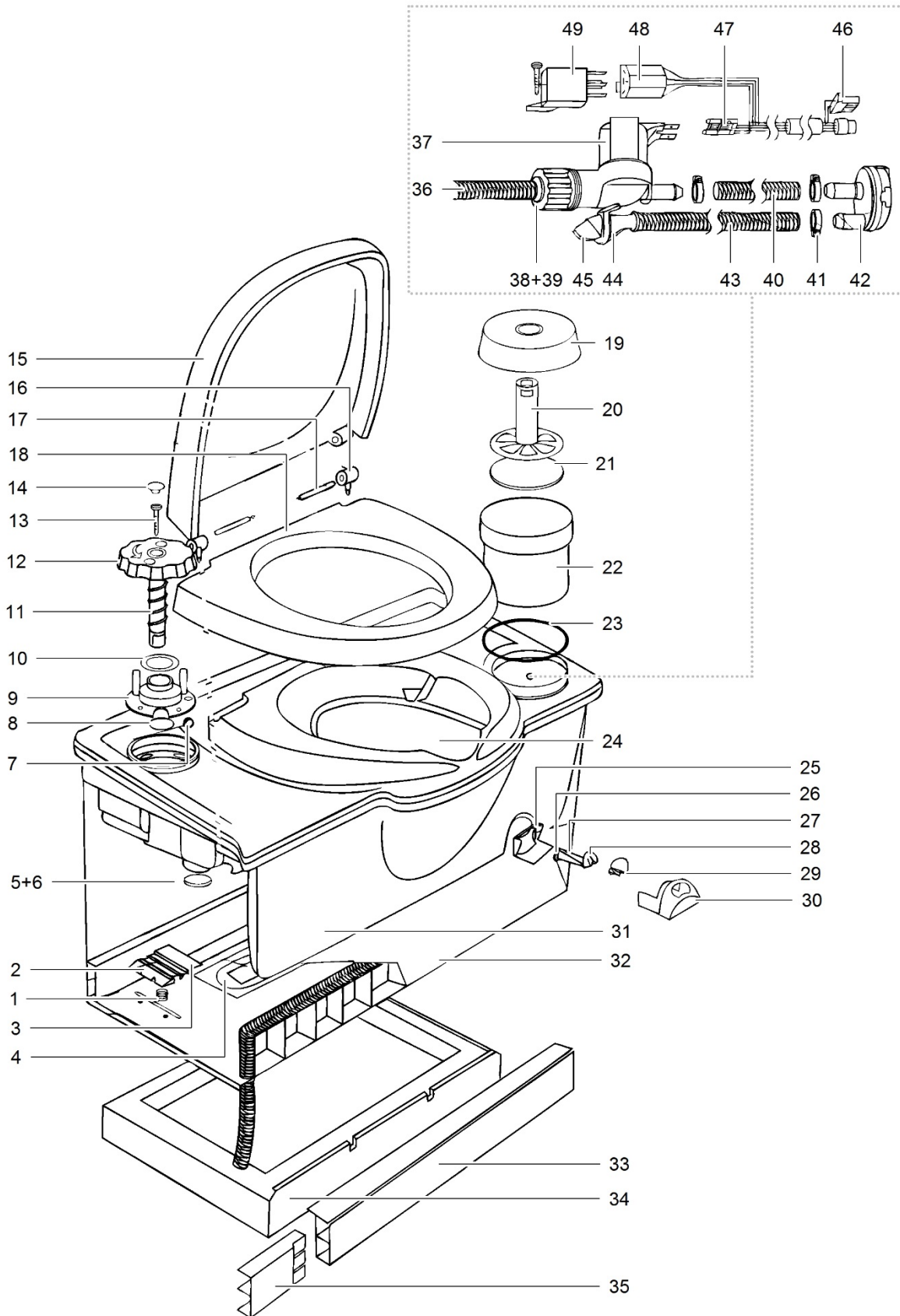
THETFORD SPARES

C2 bench (last production in 2007)

		Spare part number	Spare part number	Colours available
46	Connection draintube			
47	Bracket			
48	Drain connector			
49	Screw			
50	Sight glass	21370	21371	
51	Draintube	<i>left handed version</i>	<i>right handed version</i>	
52	Clamp collar			
53	Blind plug			
54	Fastener			
55	Splash guard			
56	Mechanism housing			
57	Screw			
58	Screw			
59	Switch	20107		
60	Washer			
61	Saddle			
62	Switch cover	16390		10
63	Cap fuse holder			
64A	Glass fuse 3 Amp <i>Toilets produced < June 1994</i>	16391	16379	74
64B	Fuse 3 Amp <i>Toilets produced > June 1994</i>	21766		
65	Cable	16389		
66	Link			
67	Crank			
68	Spring			
69	Crank			
70	Plug fill bottle			
71	O-ring			
72	Bowlflange			
73	Bench/watertank			
74	Magnet basket			

THETFORD SPARES

C3 (last production in 2007)



THETFORD SPARES

C3 (last production in 2007)

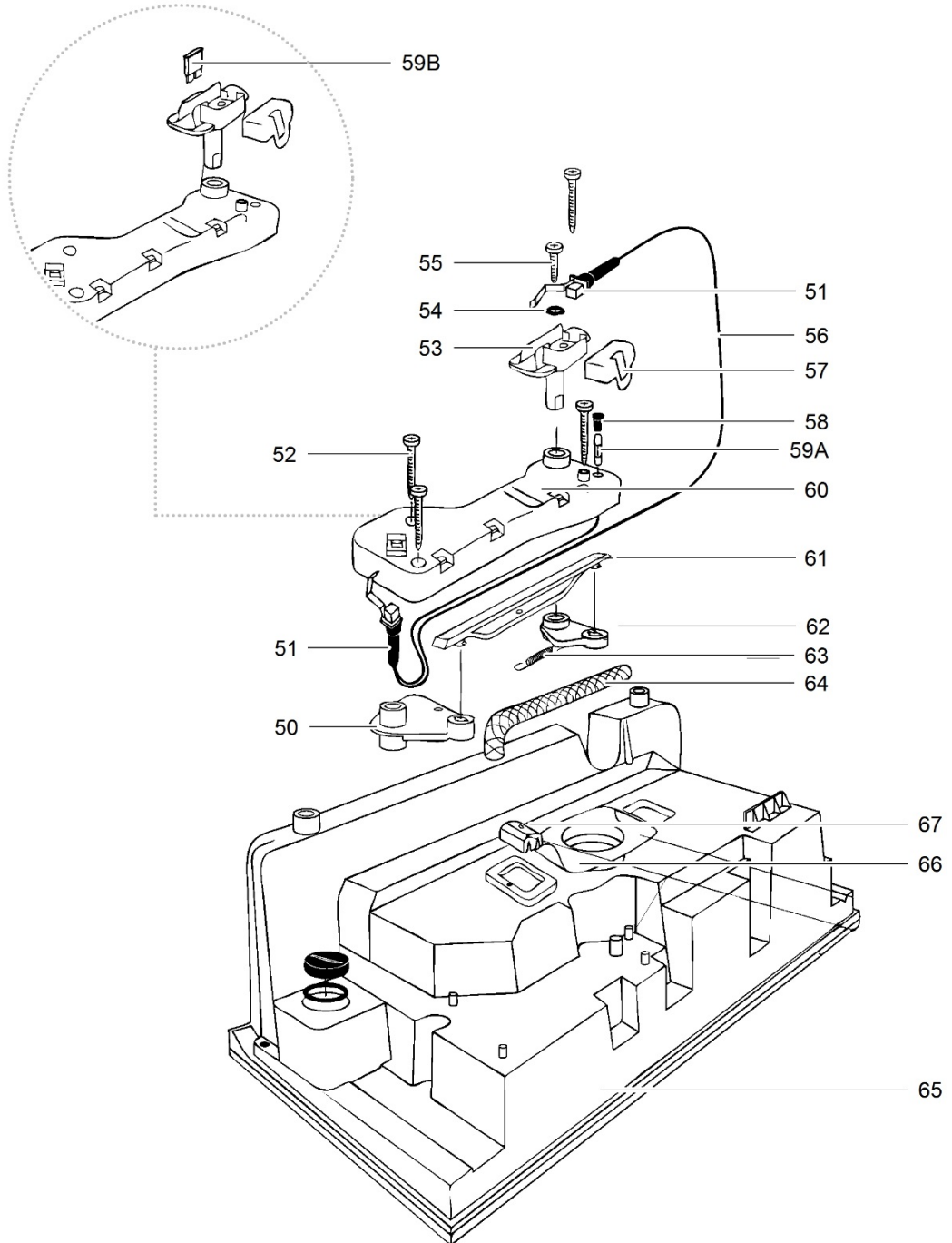
		Spare part number	Spare part number	Colours available
1	Spring clip retainer	16169		
2	Clip retainer		16350	78
3	Clip			
4	Drip tray	16166		78
5	Plug fill bottle			
6	O-ring		16381	74
7	Ball float			
8	O-ring			
9	Stop retainer			
10	Nylon bushing			
11	Spring flush knob		16377	62
12	Flush knob			
13	Screw			
14	Plug flush knob			
15	Cover			
16	Hinge post	16183	16194	62
17	Hinge pin			
18	Seat			
19	Tissue cap			
20	Tissue bracket			
21	Tissue holder			
22	Tissuwell			
23	O-ring	16731		
24	Bowl			
25	Dial support			
26	Magnet			
27	Level indicator dial		16171	62
28	Decal level indicator			
29	Lens			
30	Level indicator bezel			
31	Bench			
32	Base			
33	Frontpanel			
34	Basepad			
35	Extension frontpanel	16266		62
36	Watersupply tube			
37	Electric valve			
38	Hose barb	23851	23709	
39	Hose nut			
40	Watertube			
41	Clamp		16833	
42	Vacuumbreaker			
43	Flush tube			
44	O-ring		20103	62
45	Nozzle			

THETFORD SPARES**C3 (last production in 2007)**

		Spare part number	Spare part number	Colours available
46	Electric connection mechanism			
47	Electric connection valve			
48	Electric connection relais			
49	Relais	20106		

THETFORD SPARES

C3 bench (last production in 2007) | 1015



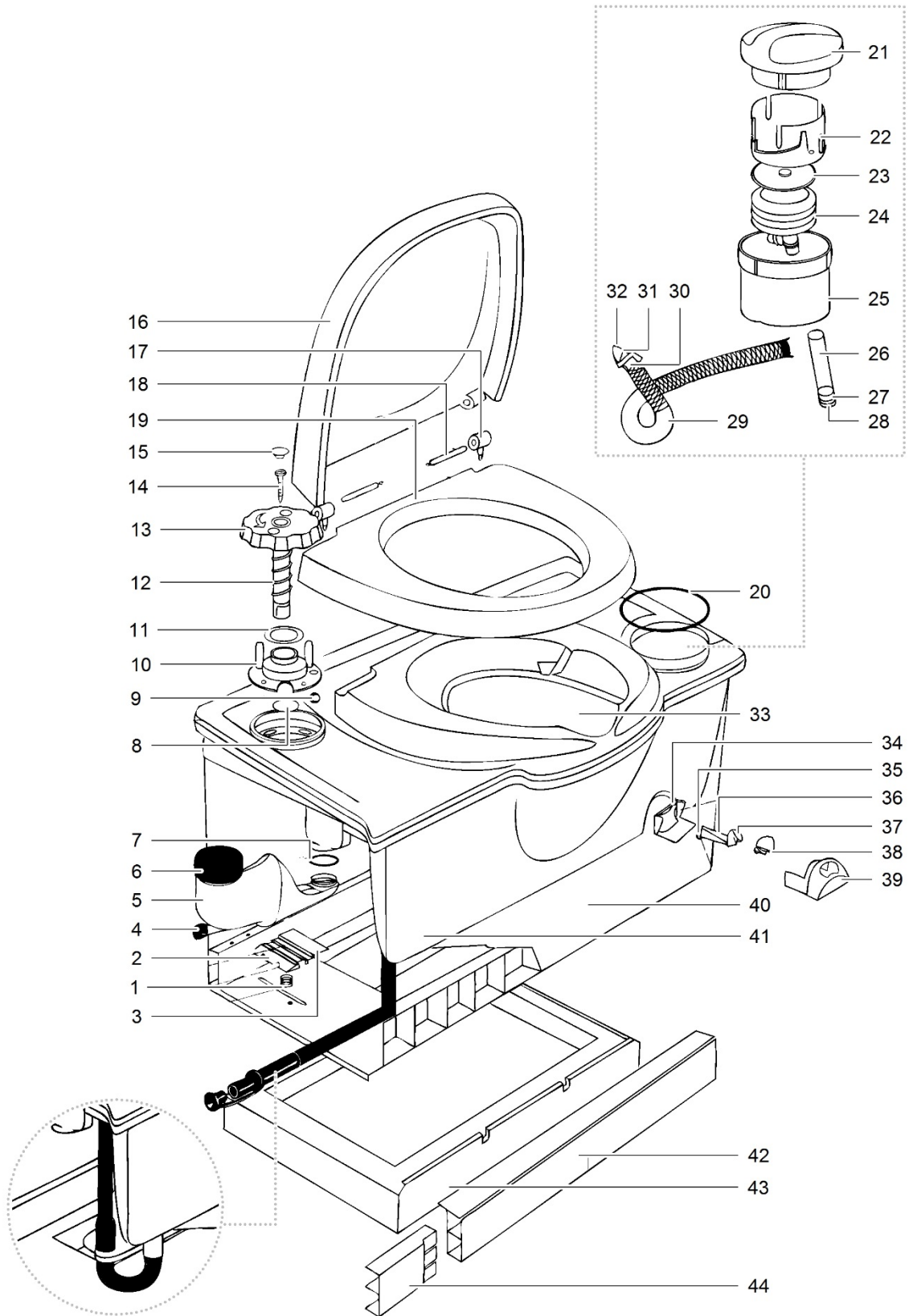
THETFORD SPARES

C3 bench (last production in 2007)

		Spare part number	Spare part number	Colours available
50	Crank			
51	Switch	20107		
52	Screw			
53	Saddle			
54	Washer			
55	Screw			
56	Cable	16389		
57	Switch cover	16390		
58	Cap fuse holder		16379	74
59A	Glass fuse 3 Amp <i>Toilets produced < June 1994</i>	16391		
59B	Fuse 3 Amp <i>Toilets produced > June 1994</i>	21766		
60	Mechanism housing			
61	Link			
62	Crank			
63	Spring			
64	Watersupply tube			
65	Bench			
66	Bowlflange			
67	Magnet basket			

THETFORD SPARES

C4 (last production in 2007) | 0115



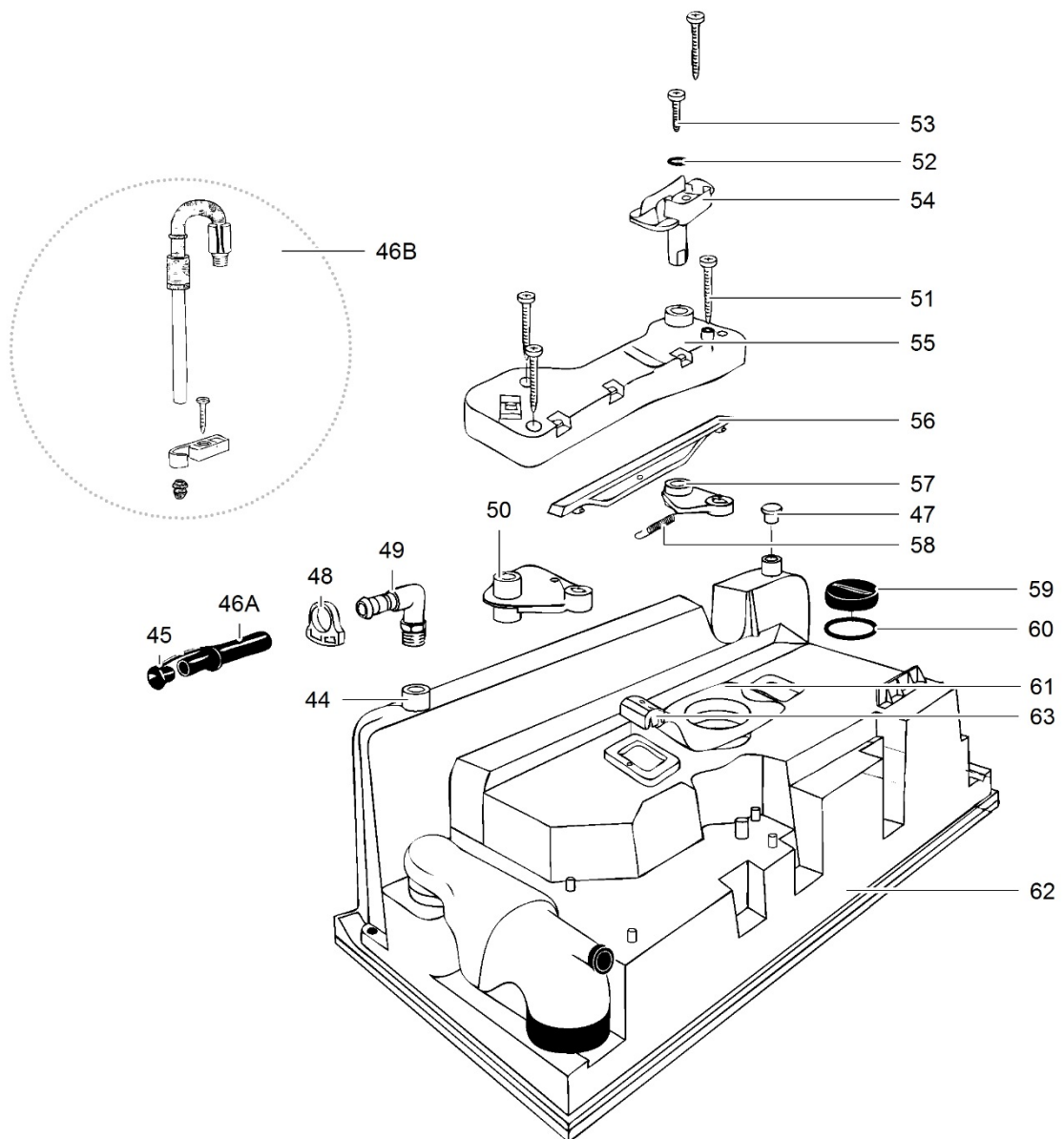
THETFORD SPARES

C4 (last production in 2007) | 01

		Spare part number	Spare part number	Colours available
1	Spring clip retainer	16169		
2	Clip retainer		16350	78
3	Clip			
4	Draincap waterfill funnel	16385		78
5	Waterfill funnel		16381	74
6	Cap waterfill funnel	16848		16
7	O-ring			
8	O-ring			
9	Ball float			
10	Stop retainer			
11	Nylon bushing			
12	Spring flush knob		16377	62
13	Flush knob			
14	Screw			
15	Plug flush knob			
16	Cover			
17	Hinge post			
18	Hinge pin	16183	16194	62
19	Seat			
20	O-ring	16731		
21	Flush cap			
22	Cylinder flush			
23	Bellow cap			
24	Bellow	21065		
25	Well pump		20291	10, 62
26	Inlet tube			
27	Check valve body	21066		
28	Check valve flapper			
29	Flush tube			
30	Seal/plunger/spring		20292	10, 62
31	O-ring			
32	Nozzle			
33	Bowl			
34	Dial support			
35	Magnet			
36	Level indicator			
37	Decal level indicator		16171	62
38	Lens			
39	Level indicator bezel			
40	Base			
41	Water tank			
42	Front panel			
43	Basepad			
44	Extension front panel	16266		62

THETFORD SPARES

C4 bench (last production in 2007) | 0115



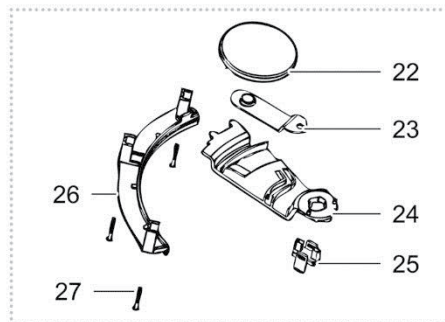
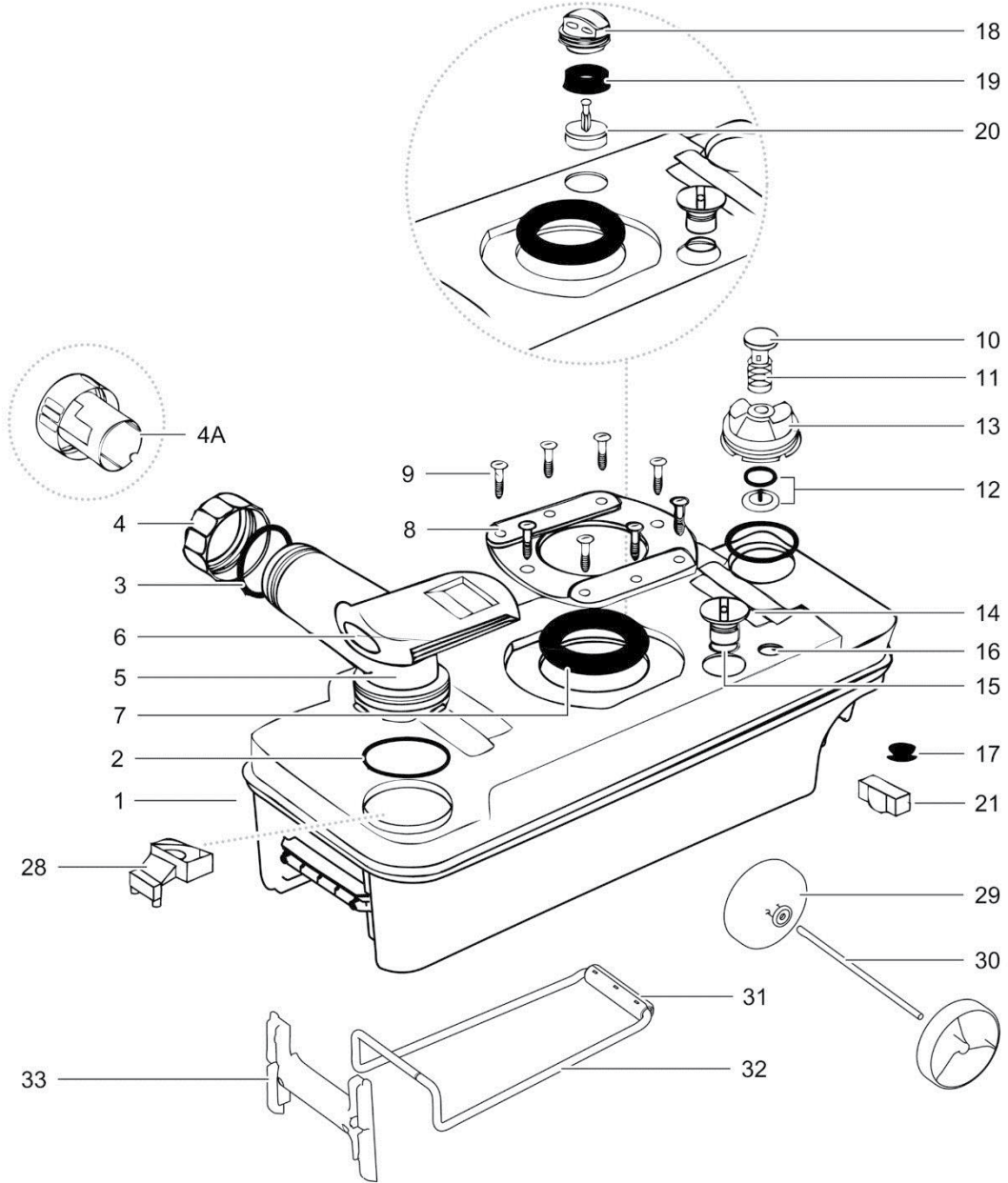
THETFORD SPARES

C4 bench (last production in 2007)

		Spare part number	Spare part number	Colours available
44	Connection draintube			
45	Draintube plug			
46A	Draintube <i>Toilets produced < March 1998</i>	16182		
46B	Draintube <i>Toilets produced > March 1998</i>	21370 <i>left handed version</i>	21371 <i>right handed version</i>	
47	Blind plug			
48	Clamp			
49	Adaptor draintube			
50	Crank			
51	Screw			
52	Washer			
53	Screw			
54	Saddle		20325	74
55	Mechanism housing			
56	Link			
57	Crank			
58	Spring			
59	Plug fill bottle			
60	O-ring			
61	Bowl flange			
62	Bench/watertank			
63	Magnet basket			

THETFORD SPARES

C2 - C3 - C4 waste-holding tank, with wheels and handle



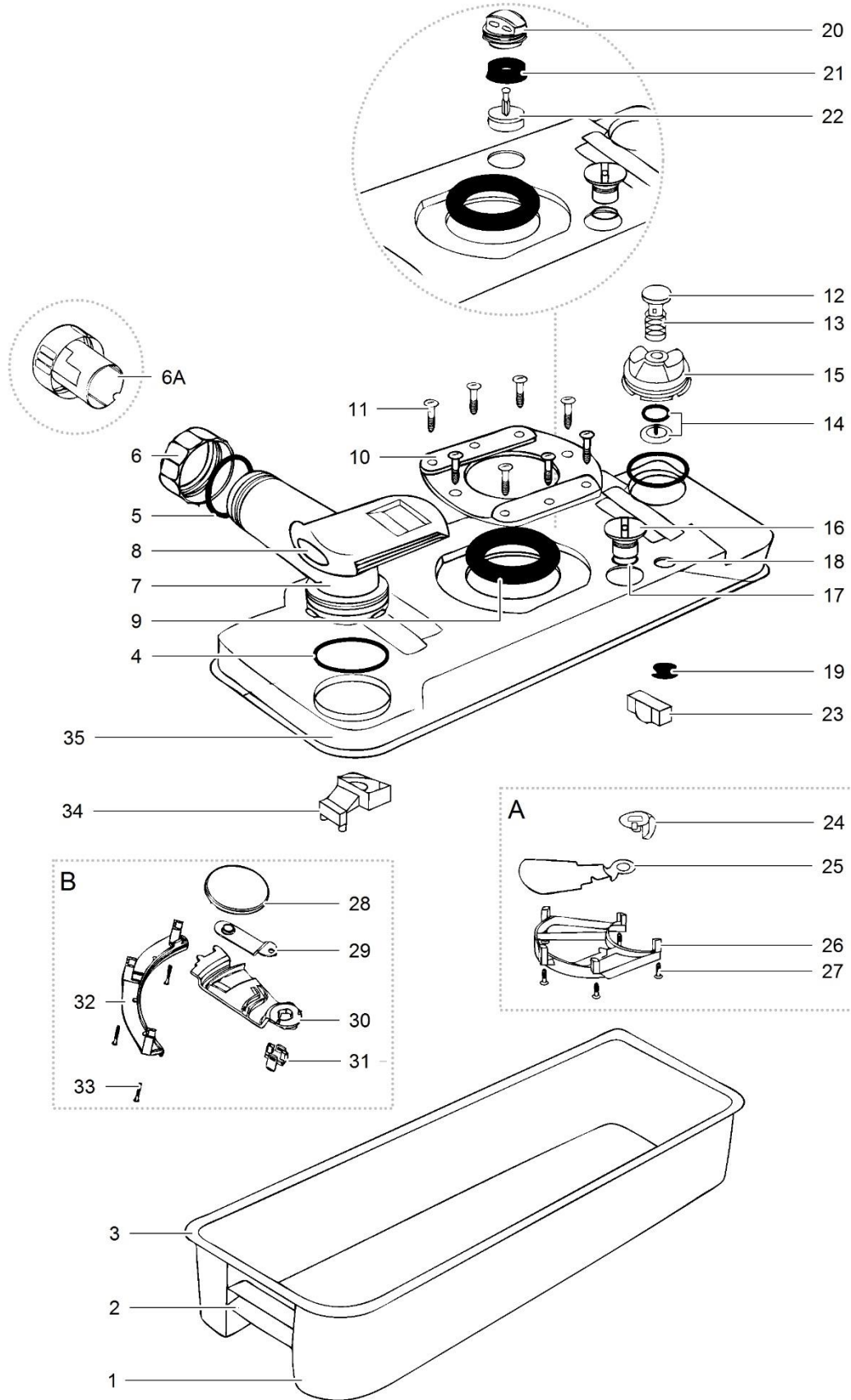
THETFORD SPARES

C2 - C3 - C4 waste-holding tank, with wheels and handle

	Spare part number	Spare part number	Spare part number	Colours available	
1	Waste-holding tank				
2	O-ring				
3	16195	16384	16196	78	
4	Dump cap			74	
4A	Measuring cup			78	
5	Pour out spout				
6	Sliding cover				
7	Lip seal				
	Toilets < 15th June 2000		16175		
	Toilets > 15th June 2000		23721		
8	Seal cover				
9	Screw				
10	07524		16176	78	
11	Spring				
12	Seal retainer			74	
13	Ventplug				
	Blade opener				
14	Toilets < 15th June 2000		21458	74	
	Toilets > 15th June 2000		200501	74	
15	Cupseal				
16	Venthole				
17	Ventseal				
18	Automatic vent upper		23722	74	
	Toilets > June 1993				
19	Seal automatic vent				
20	Foam				
21	Float vent				
	Blade mechanism > 15 June 2000				
22	Blade		23847		
23	Blade arm				
24	Blade arm driver				
25	Drive arm retainer				
26	Track support				
27	Screw				
28	Float arm				
29	Wheels 2X		200640	142	
30	Axis				
31	Grip transport handle		200641	74	
32	Transport handle		200643		
33	Transport bracket		200644	74	
	Waste-holding tank complete for toilets produced > June 1993 <i>Including sliding cover, wheels and handle</i>		200638 <i>right handed version</i>	200639 <i>left handed version</i>	74

THETFORD SPARES

C2 - C3 - C4 waste-holding tank



THETFORD SPARES

C2 - C3 - C4 waste-holding tank

	Spare part number	Spare part number	Spare part number	Colours available
1	Waste-holding tank lower			
2	Carry handle			
3	Weld waste-holding tank			
4	O-ring			
5	16195	16384	16196	78
6	Dump cap			74
6A	Measuring cup			78
7	Pour out spout			
8	Sliding cover			74
9	Lip seal			
	<i>Toilets < 15th June 2000</i>			16175
	<i>Toilets > 15th June 2000</i>			23721
10	Seal cover			
11	Screw			
12	07524		16176	78
13	Spring			
14	Seal retainer			74
15	Ventplug			
	Blade opener			
16	<i>Toilets < 15th June 2000</i>			21458
	<i>Toilets > 15th June 2000</i>			200501
17	Cupseal			
18	Venthole			
19	Ventseal			20339
20	Automatic vent upper			23722
	<i>Toilets > June 1993</i>			
21	Seal automatic vent			74
22	Foam			
23	Float vent			21510
A	Blade mechanism < 15 June 2000			
24	Blade driver			
25	Blade			
26	Blade retainer			
27	Screw			
B	Blade mechanism > 15 June 2000			
28	Blade			23847
29	Blade arm			
30	Blade arm driver			
31	Drive arm retainer			
32	Track support			
33	Screw			
34	Float arm			21322
35	Waste-holding tank upper			
	Waste-holding tank complete			<i>Refer to page 16</i>

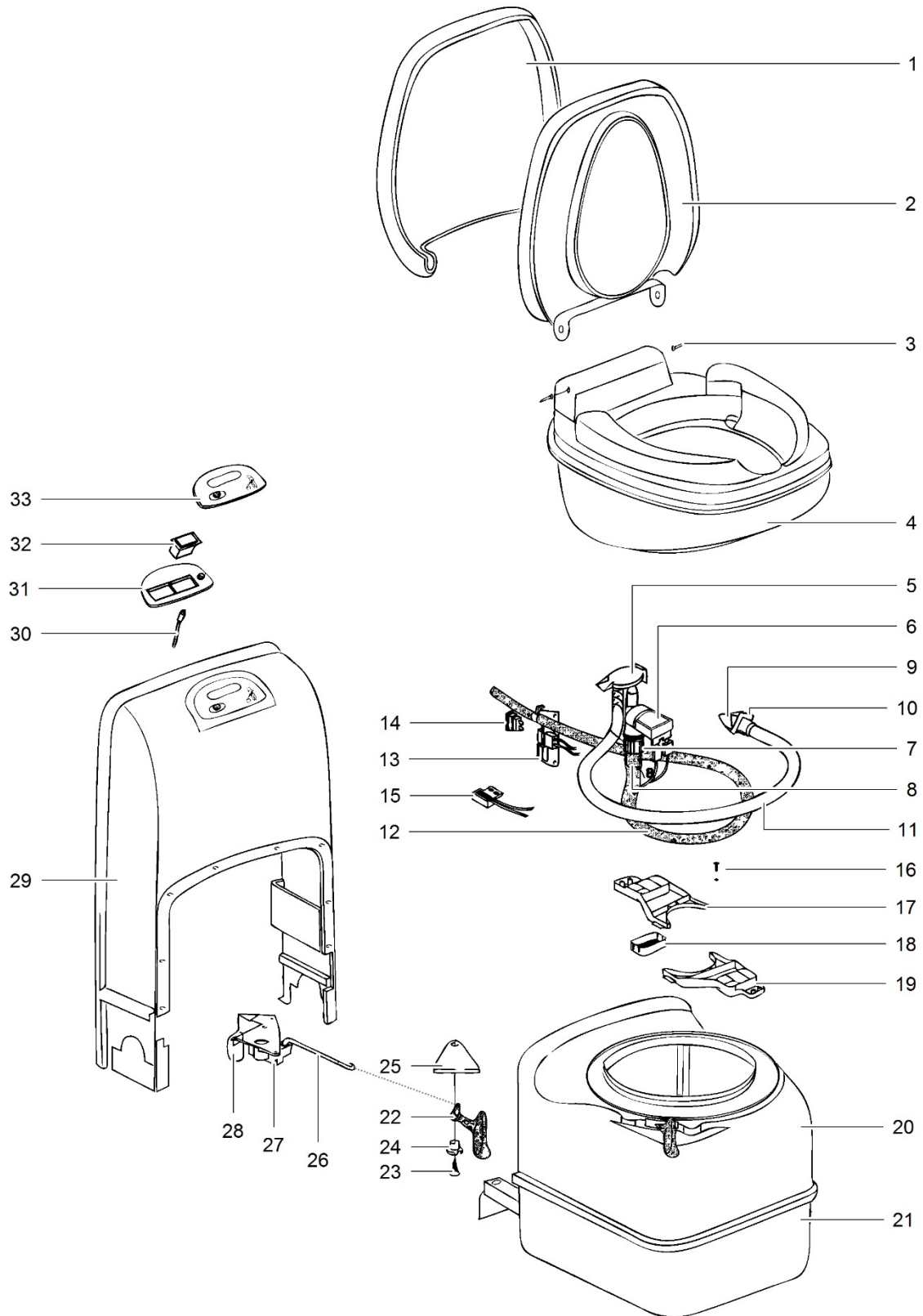
THETFORD SPARES

Colour index sanitation | 0416

Colour Numbers	Description	Colour reference
06	Slate Grey	RAL 7015
07	Traffic Grey	RAL 7042
10	Ivory-United States	Not available
16	Turquoise Green	RAL 6016
30	Mocha	NCS S 2005-Y40R
38	Grey Beige	RAL 1019
44	Beige-Europe	PMS 05543P
47	White/Silver	Not available
57	Creamy White	RAL 9001
62	White/Grey	Not available
66	Light Ivory	RAL 1015
68	Grey White	RAL 9002
74	Moon Grey	Pantone 417
78	Yellow	RAL 1003
79	Edelweiss	Ideal-Std. 46
88	Grey-Brown	Not available
89	Granite	Not available
90	Anthracite Grey	RAL 7016
92	Orange	Not available
111	Signal White	RAL 9003
127	White	NCS S 0300-N
130	Ruby Red	RAL 3003
132	Signal Black	RAL 9004
133	Agate Grey	RAL 7038
135	Light Grey Granite	Not available

THETFORD SPARES

C200S / CS



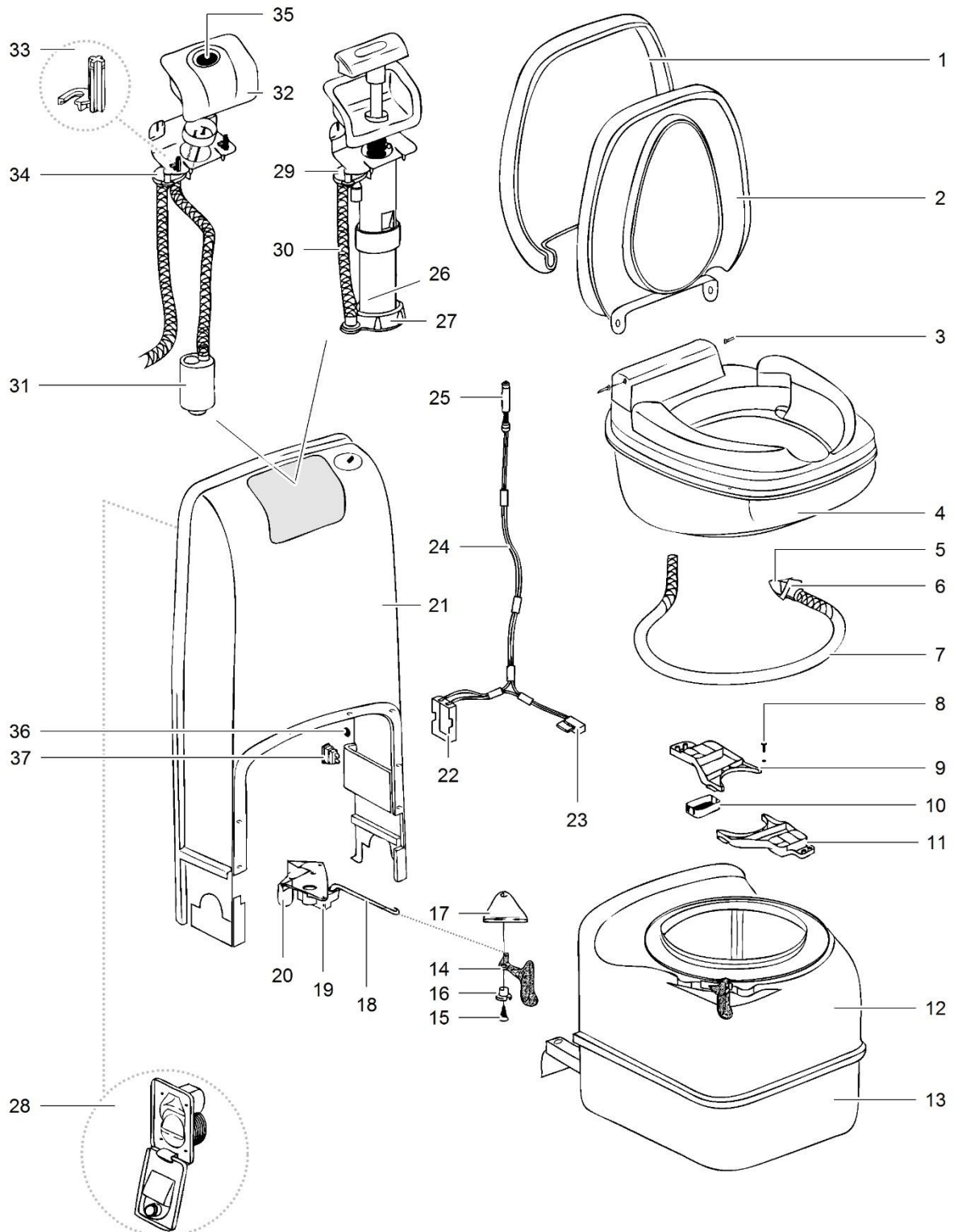
THETFORD SPARES

C200S / CS

		Spare part number	Spare part number	Colours available
1	Cover			
2	Seat		23706	62
3	Hinge pin	23707		62
4	Bowl	23853		62
5	Vacuumbreaker	16833		
6	Electric valve			
7	Hose nut	23851	23709	
8	Hose barb			
9	O-ring			
10	Nozzle		23710	62
11	Watertube			
12	Watertube supply			
13	Waterfuse bracket			
14	Fuse	21766		
15	Reedswitch	23714		62
16	Screw			
17	Bowl retainer bracket			
18	Magnet basket			
19	Bowl retainer bracket			
20	Base upper			
21	Base lower			
22	Handle			
23	Screw		23713	74
24	Bushing			
25	Seal handle			
26	Link	23848	23850	
27	Saddle		<i>for outside vent version</i>	
28	Saddle bracket			
28	Saddle bracket outside vent			
29	Console			
30	Level indicator led	23718		
31	Switch panel		23846	62
32	Flush switch	23716		
33	Bezel			

THETFORD SPARES

C200CW / CWE



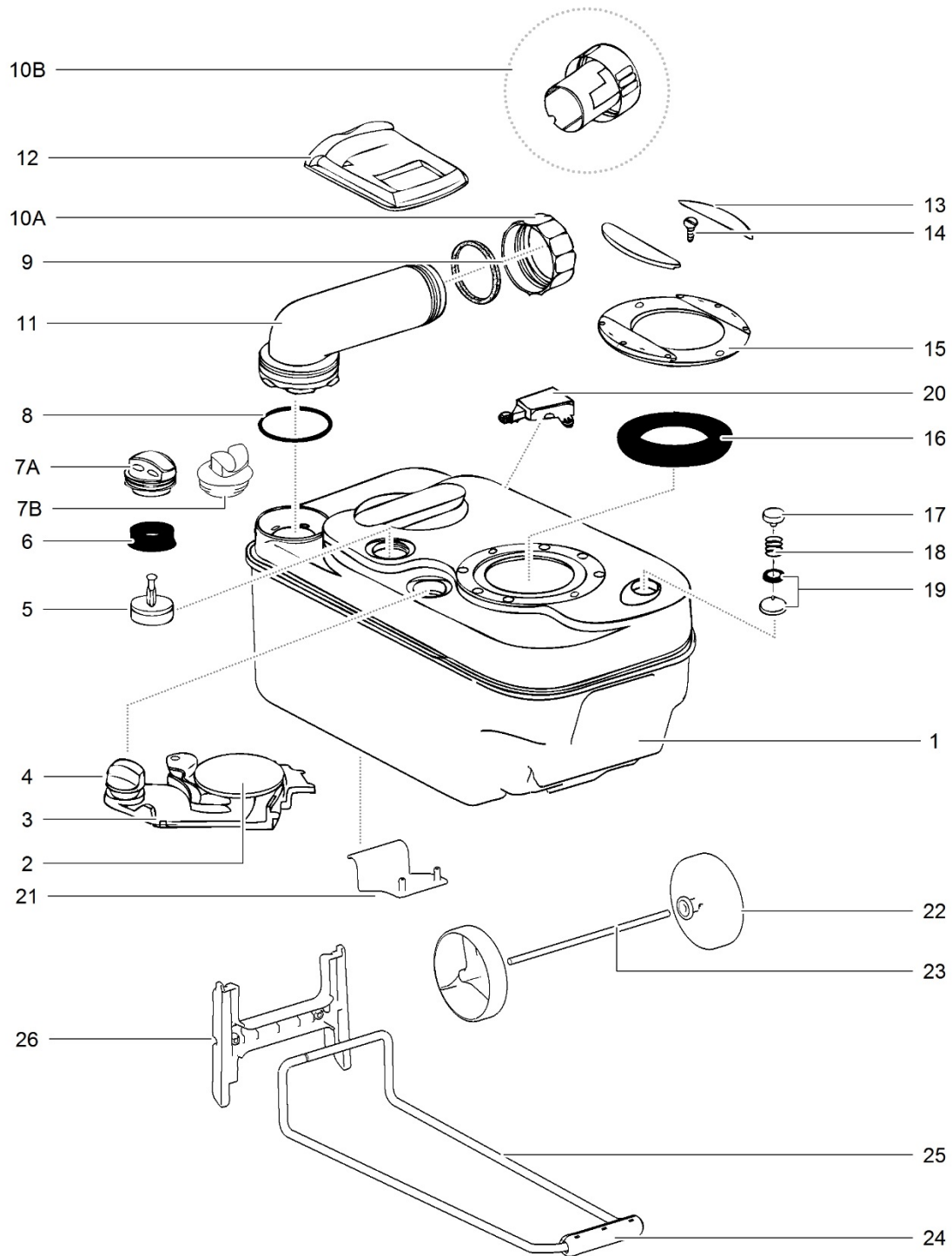
THETFORD SPARES

C200CW / CWE

		Spare part number	Spare part number	Colours available
1	Cover			
2	Seat		23706	62
3	Hinge pin	23707		
4	Bowl	23853		62
5	O-ring			
6	Nozzle		23710	62
7	Watersupply tube			
8	Screw			
9	Bowl retainer bracket			
10	Magnet basket			
11	Bowl retainer bracket			
12	Base upper			
13	Base lower			
14	Handle			
15	Screw		23713	74
16	Bushing			
17	Seal handle			
18	Link			
19	Saddle		23848	
20	Saddle bracket			
	Saddle bracket outside vent	23850		
21	Console			
22	Battery container			
23	Reed switch	23714 <i>CWE model</i>		62
24	Wiring harness		23738	
25	Level indicator led		<i>CW model</i>	
26	Manual pump	23739		62
27	Pump retainer	23845		
28	Waterfill door	<i>refer to 'Spare List Exteriors'</i>		
29	Vacuum breaker	16833		
30	Water tube			
31	Pump	16374		
32	Bezel			
33	Adaptor bezel		23771	62
34	Vacuum breaker	16833		
35	Switch	23792		
36	Drain plug	23852		74
37	Fuse	21766		

THETFORD SPARES

C200 waste-holding tank with wheels and handle | 0416



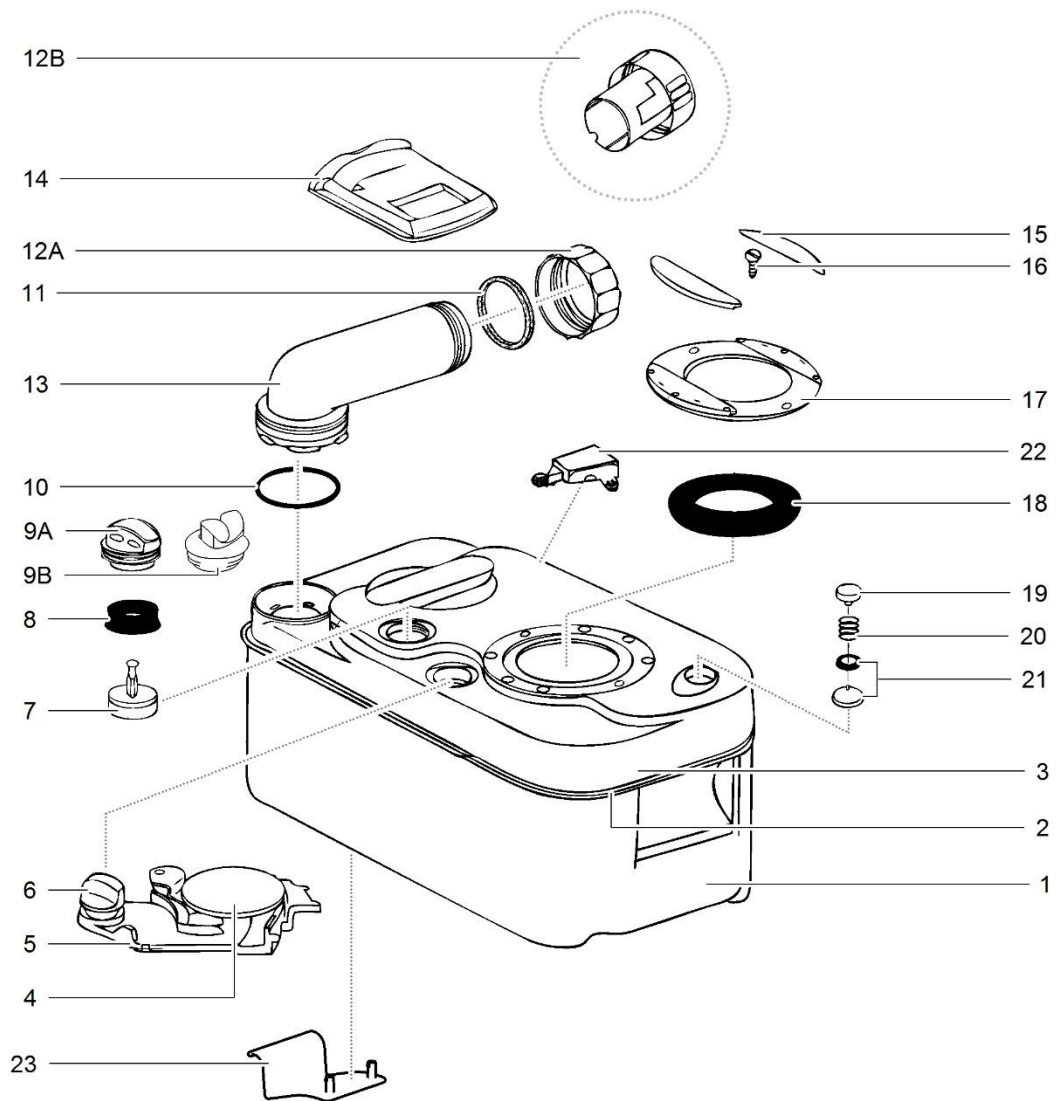
THETFORD SPARES

C200 waste-holding tank with wheels and handle

		Spare part number	Spare part number	Spare part number	Colours available
1	Waste-holding tank				
2	Blade	23847			
3	Blade arm				
4	Blade opener	23743			78
5	Foam		23722	23788 <i>for outside vent version</i>	74
6	Seal automatic vent	21528			74
7A	Upper automatic vent				
7B	Upper automatic vent outside vent				
8	O-ring	16195		16196	74, 78
9	Cap seal				
10A	Dump cap		16384		
10B	Measuring cup		25810		
11	Pour out spout				
12	Sliding cover	21333			74
13	Screw cover				
14	Screw				
15	Seal cover				
16	Lip seal	23721			
17	Vent button		07524		78
18	Spring				
19	Seal retainer				
20	Floatarm	23726			
21	Tank lock clip	23849			78
22	Wheels 2X		200640		142
23	Axis				
24	Grip transport handle	200641	200642		74
25	Transport handle				
26	Transport bracket		200644		74
	Waste-holding tank complete <i>including sliding cover, wheels and handle</i>		200636	200637 <i>for outside vent version</i>	74

THETFORD SPARES

C200 waste-holding tank



THETFORD SPARES

C200 waste-holding tank

	Spare part number	Spare part number	Spare part number	Colours available	
1	Waste-holding tank lower				
2	Weld waste-holding tank				
3	Waste-holding tank upper				
4	23847				
5	Blade arm				
6	23743			78	
7		23722	23788 <i>for outside vent version</i>	74	
8	21528				
9A	Upper automatic vent			74	
9B	Upper automatic vent outside vent				
10		16195	16196	74, 78	
11					16384
12					25810
12A					
13	Pour out spout				
14	21333			74	
15	Screw cover				
16	Screw				
17	Seal cover				
18	23721				
19	Vent button				
20		07524		78	
21	Seal retainer				
22	23726				
23	23849			78	
	Waste-holding tank complete	<i>Refer to page 26</i>			

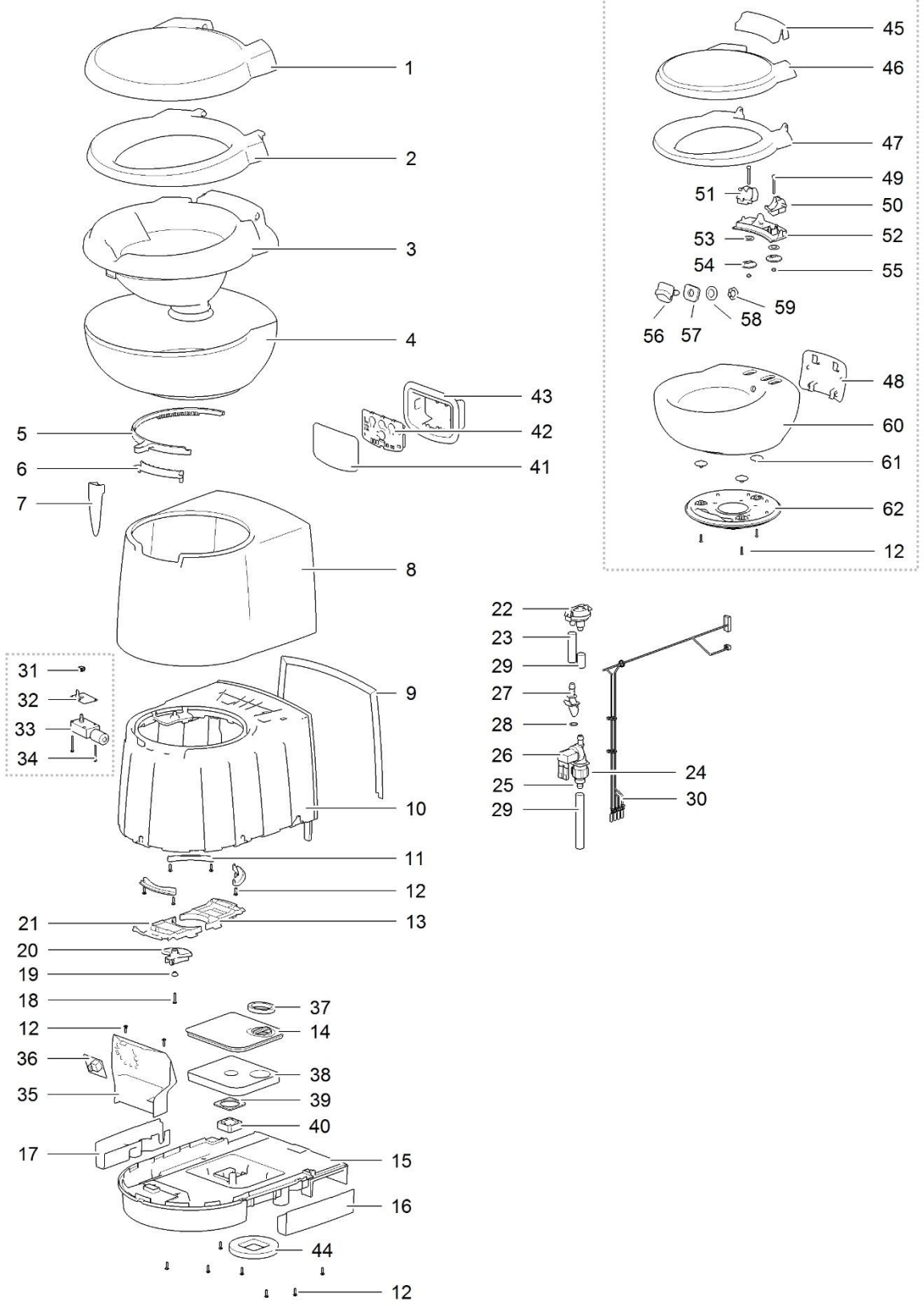
THETFORD SPARES

Colour index sanitation

Colour Numbers	Description	Colour reference
06	Slate Grey	RAL 7015
07	Traffic Grey	RAL 7042
10	Ivory-United States	Not available
16	Turquoise Green	RAL 6016
30	Mocha	NCS S 2005-Y40R
38	Grey Beige	RAL 1019
44	Beige-Europe	PMS 05543P
47	White/Silver	Not available
57	Creamy White	RAL 9001
62	White/Grey	Not available
66	Light Ivory	RAL 1015
68	Grey White	RAL 9002
74	Moon Grey	Pantone 417
78	Yellow	RAL 1003
79	Edelweiss	Ideal-Std. 46
85	Blue	RAL 5015
88	Grey-Brown	Not available
89	Granite	Not available
90	Anthracite Grey	RAL 7016
92	Orange	Not available
111	Signal White	RAL 9003
127	White	NCS S 0300-N
130	Ruby Red	RAL 3003
132	Signal Black	RAL 9004
133	Agate Grey	RAL 7038
135	Light Grey Granite	Not available
142	Fiat Ducato	RAL 7016

THETFORD SPARES

C263S



THETFORD SPARES

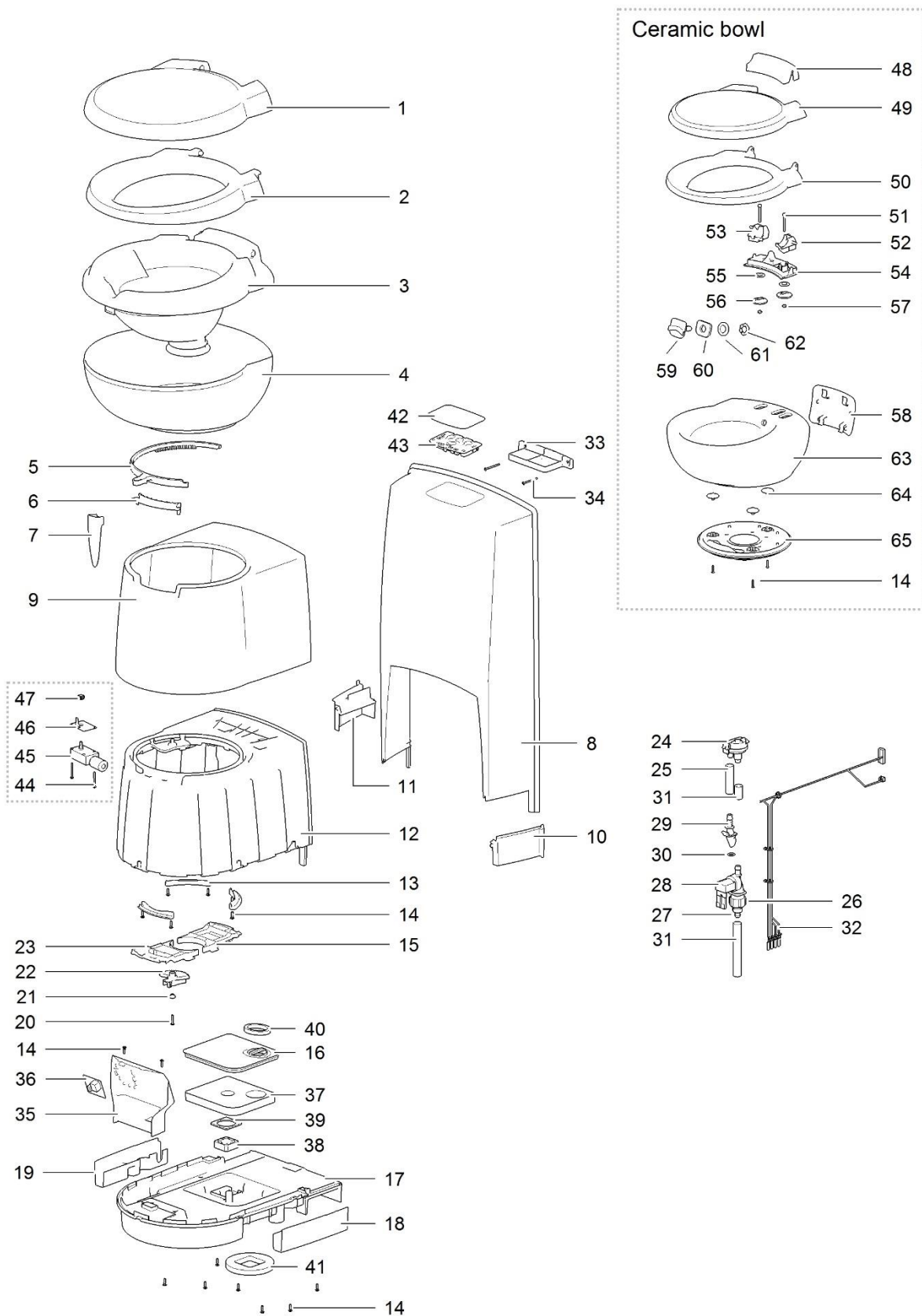
C263S

		Spare part number	Spare part number	Spare part number	Colours available
1	Cover				
2	Seat		93401		30, 62
3	Bowl inner	93433			62
4	Bowl outer				
5	Ring blade mechanism	50760			
6	Water diverter	93429			62
7	Handle	93402			47
8	Base upper				
9	Seal base wall	93428			62
10	Base frame				
11	Retainer bracket				
12	Screw 3.9 x 14				
13	Bowl retainer bracket	50733			
14	Vent plate				
15	Base lower				
16	Side cover left				
17	Side cover right				
18	Screw 3.9 x 22				
19	Bushing		50735		
20	Saddle				
21	Bowl retainer				
22	Vacuum breaker	16833			
23	Water supply tube				
24	Hose nut	23851			
25	Hose barb				
26	Electric valve < 01-09-2013 Serial number < E244P..... <i>or</i> C260 toilets with Waste Transfer system		23709		
	Electric valve 90° > 01-09-2013 Serial number > E244P..... <i>Including numbers 24 & 25</i>	90717			
27	Nozzle				
28	O-ring		93430		62
29	Water supply tube				
30	Wire harness	93421			
31	Gear wheel motor				
32	Metal bracket electric blade		93415		
33	Motor electric blade				
34	Screw Hilo 3,1 x 35/15 PH2				

THETFORD SPARES

C263S

		Spare part number	Spare part number	Spare part number	Colours available
35	Housing main PCB	93407			62
36	Reed switch single level	93408		93417 <i>electric ventilator kit</i>	
	Reed switch multi level	93409			
37	Seal vent plate				
38	Filter electric ventilator	93426			
	Filter electric ventilator 8 pack	93416			
39	Ventilator foam		93411		
40	Electric ventilator				
41	Sticker control panel	93403			
42	Control SN	50709			
	Control SW	93405			
	Control FF	50711			
43	Wall box	93427			62
44	Seal adapter				
45	POD			93412	62
46	Cover				
47	Seat				
48	Service cover				
49	Inner hex head screw M6 x 50		93413		62
50	Hinge block left				
51	Hinge block right				
52	Bracket seat & cover				
53	Adhesive ring				
54	Plastic ring M6				
55	Nut M6				
56	Nozzle		50756		62
57	Seal				
58	Washer M17				
59	Pal nut M16				
60	Ceramic bowl				
61	Nut rotating plate				
62	Rotating plate				



THETFORD SPARES

C263CS

		Spare part number	Spare part number	Spare part number	Colours available
1	Cover		93401		30, 62
2	Seat				
3	Bowl inner	93433			62
4	Bowl outer				
5	Ring blade mechanism	50760			
6	Water diverter	93429			62
7	Handle	93402			47
8	Console				
9	Base upper				
10	Splashguard left				
11	Splashguard right				
12	Base frame				
13	Retainer bracket				
14	Screw 3.9 x 14				
15	Bowl retainer bracket	50733			
16	Vent plate				
17	Base lower				
18	Side cover left				
19	Side cover right				
20	Screw 3.9 x 22		50735		
21	Bushing				
22	Saddle				
23	Bowl retainer				
24	Vacuum breaker	16833			
25	Water supply tube				
26	Hose nut	23851			
27	Hose barb				
28	Electric valve		23709		
	< 01-09-2013				
	Serial number < E244P.....				
	or C260 toilets with Waste Transfer system				
	Electric valve 90°				
	> 01-09-2013				
	Serial number > E244P.....	90717			
	<i>Including numbers 26 & 27</i>				
29	Nozzle				
30	O-ring		93430		62
31	Water supply tube				
32	Wire harness	93422			
33	Wall bracket				
34	Screw parker 8 x ½ IN				

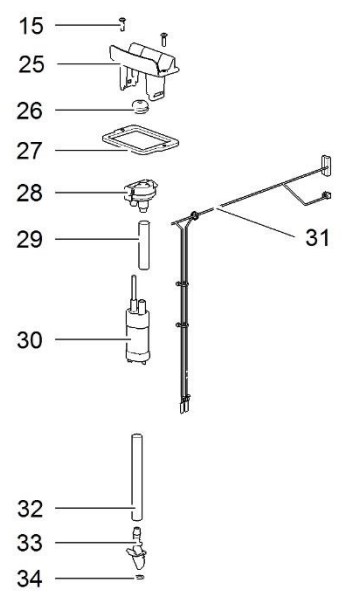
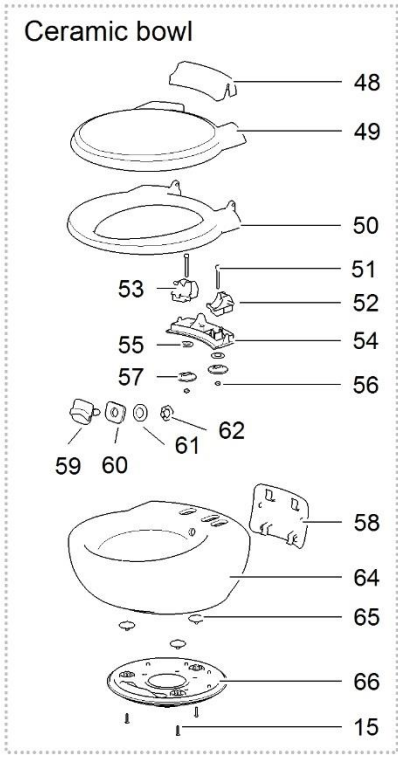
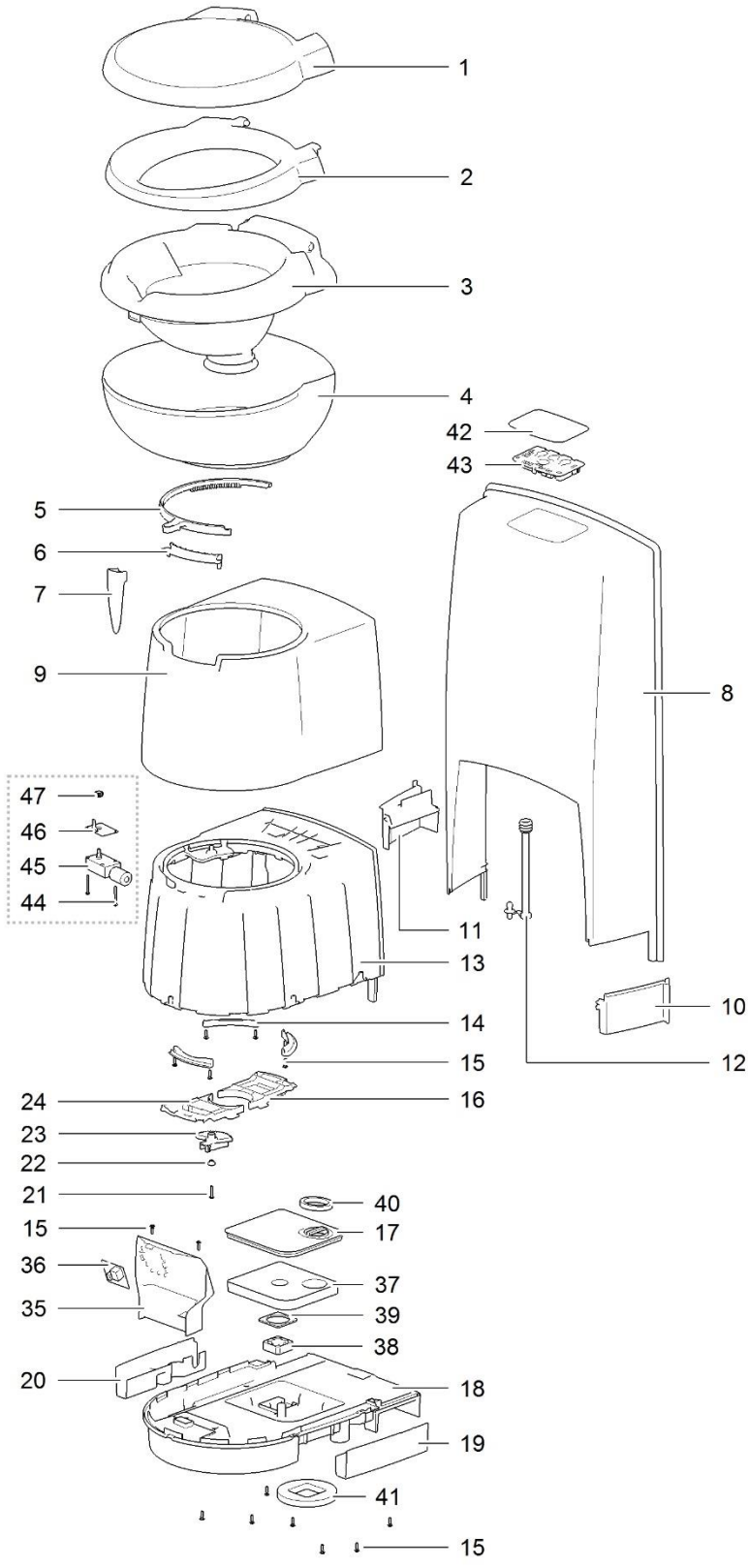
THETFORD SPARES

C263CS

		Spare part number	Spare part number	Spare part number	Colours available
35	Housing main PCB	93407			62
36	Reed switch (single level)	93408		93417 <i>electric ventilator kit</i>	
	Reed switch (multi level)	93409			
37	Filter electric ventilator	93426			
	Filter electric ventilator 8 pack	93416			
38	Electric ventilator		93411		
39	Ventilator foam				
40	Seal, vent plate				
41	Seal, adaptor				
42	Sticker control panel	93403			
43	Control SN	50709			
	Control SW	93405			
	Control FF	50711			
44	Screw Hilo 3.1 x 35/15 PH2				
45	Motor electric blade		93415		
46	Metal bracket electric blade				
47	Gear wheel motor				
48	POD for ceramic bowl			93412	62
49	Cover for ceramic bowl				
50	Seat for ceramic bowl				
51	Inner Hex head screw M6 x 50		93413		
52	Hinge block left				
53	Hinge block right				
54	Bracket seat & cover				
55	Adhesive ring				
56	Plastic ring M6				
57	Nut M6				
58	Service cover				
59	Nozzle		50756		62
60	Seal				
61	Washer M17				
62	Pal nut M16				
63	Ceramic bowl				
64	Nut rotating plate				
65	Rotating plate				

THETFORD SPARES

C262CWE



THETFORD SPARES

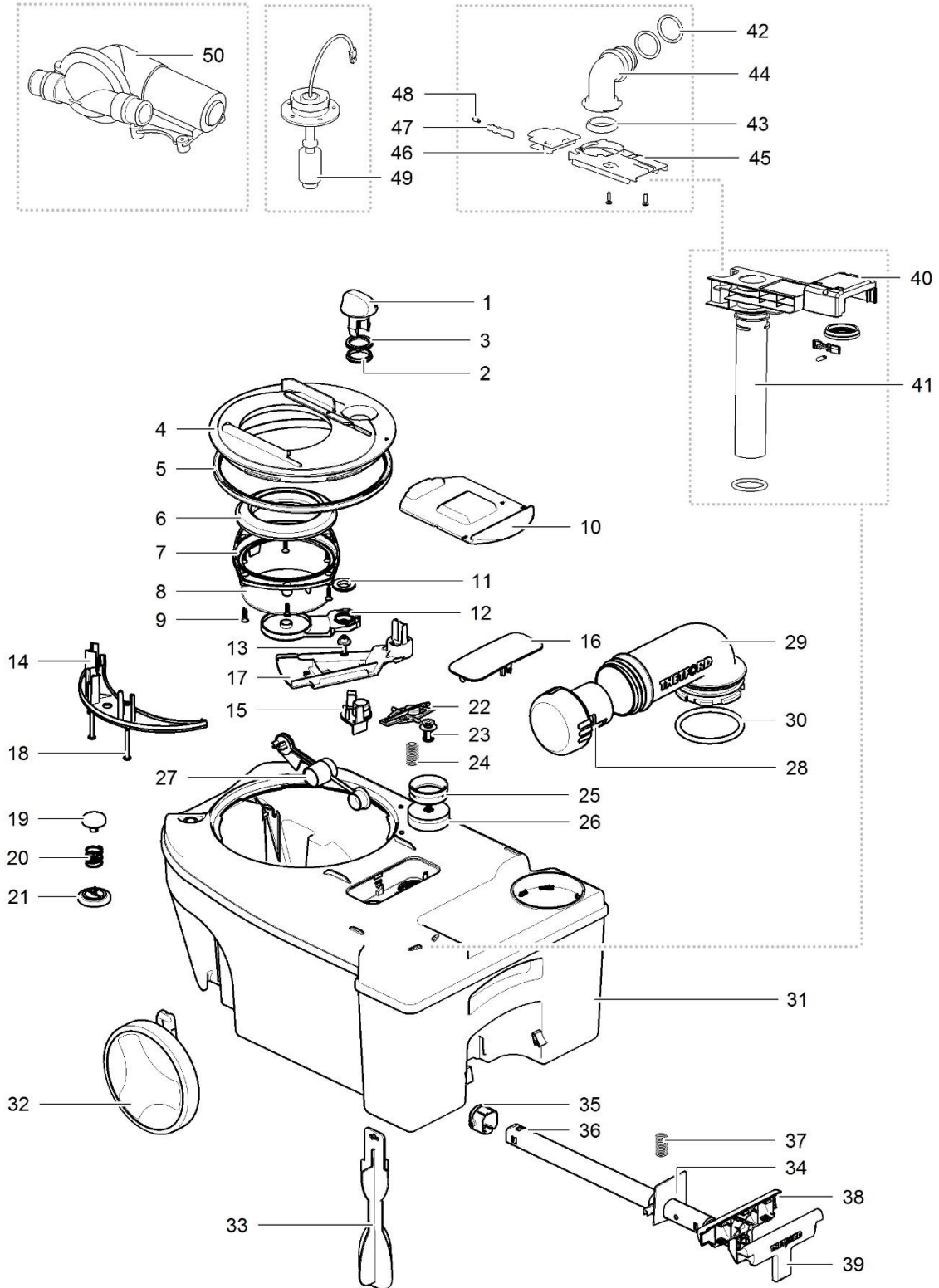
C262CWE

		Spare part number	Spare part number	Spare part number	Colours available
1	Cover				
2	Seat		93401		30, 62
3	Bowl inner	93433			62
4	Bowl outer				
5	Ring blade mechanism	50760			
6	Water diverter	93429			62
7	Handle	93402			47
8	Console				
9	Base upper				
10	Splashguard left				
11	Splashguard right				
12	Drain	50717			
13	Base frame				
14	Retainer bracket				
15	Screw 3.9 x 14				
16	Bowl retainer bracket	50733			
17	Vent plate				
18	Base lower				
19	Side cover left				
20	Side cover right				
21	Screw 3.9 x 22				
22	Bushing		50735		
23	Saddle				
24	Bowl retainer				
25	Cover console				
26	Grommet seal				
27	Cover seal				
28	Vacuum breaker	16833			
29	Tube WT inside				
30	Pump	93418			
31	Wire harness	93423			
32	Water supply tube				
33	Nozzle		93430		62
34	O-ring				

THETFORD SPARES

C262CWE

		Spare part number	Spare part number	Spare part number	Colours available
35	Housing main PCB	93407			62
36	Reed switch (single level)	93408		93417 <i>electric ventilator kit</i>	
	Reed switch (multi level)	93409			
37	Filter electric ventilator	93426			
	Filter electric ventilator 8 pack	93416			
38	Electric ventilator		93411		
39	Ventilator foam				
40	Seal vent plate				
41	Seal adaptor				
42	Sticker control panel	93403			
43	Control SN	50709			
	Control SW	93405			
	Control FF	50711			
44	Screw Hilo 3.1 x 35/15 PH2				
45	Motor electric blade		93415		
46	Metal bracket electric blade				
47	Gear wheel motor				
48	POD for ceramic bowl			93412	
49	Cover for ceramic bowl				62
50	Seat for ceramic bowl				
51	Inner Hex head screw M6 x 50		93413		
52	Hinge block left				
53	Hinge block right				
54	Bracket seat & cover				62
55	Adhesive Ring				
56	Nut M6				
57	Plastic ring M6				
58	Service cover				
59	Nozzle		50756		
60	Seal				62
61	Washer M17				
62	Pal nut M16				
63	Ceramic bowl				
64	Nut rotating plate				
65	Rotating plate				



THETFORD SPARES

C250 - C260 waste-holding tank

		Spare part number	Spare part number	Spare part number	Colours available
1	Blade opener				
2	Seal		23743		92
3	Washer				
4	Waste-holding tank plate	50723			06
5	Seal mechanism	50724			
6	Lip seal	23721			
7	Blade arm driver			50727	06
8	Blade	50731		waste-holding tank mechanism	
9	Screw				
10	Sliding cover	50718			
11	Bearing plate				
12	Blade arm				
13	Bushing/screw				
14	Support track				
15	Retainer mechanism				
16	Vent lid	50741			06
17	Blade driver				
18	Screw				
19	Vent button				
20	Spring		07524		92
21	Vent seal				
22	Vent lifter				
23	Vent pivot				
24	Vent spring				
25	Seal vent	21528	50732		
26	Float stem				
27	Float	50725			
28	Measuring cup	25810			06
29	Pour out spout		50719		92
30	O-ring				
31	Waste-holding tank complete including sliding cover		50700	50701 pump out system	06
32	Wheels 2X	50726			
33	Vent actuator				
34	Guide	50738			06
35	Bracket				
36	Telescopic system		50728		
37	Vent spring				
38	Handle grip	50737			92
39	Handle cover				

THETFORD SPARES

C250 - C260 waste-holding tank

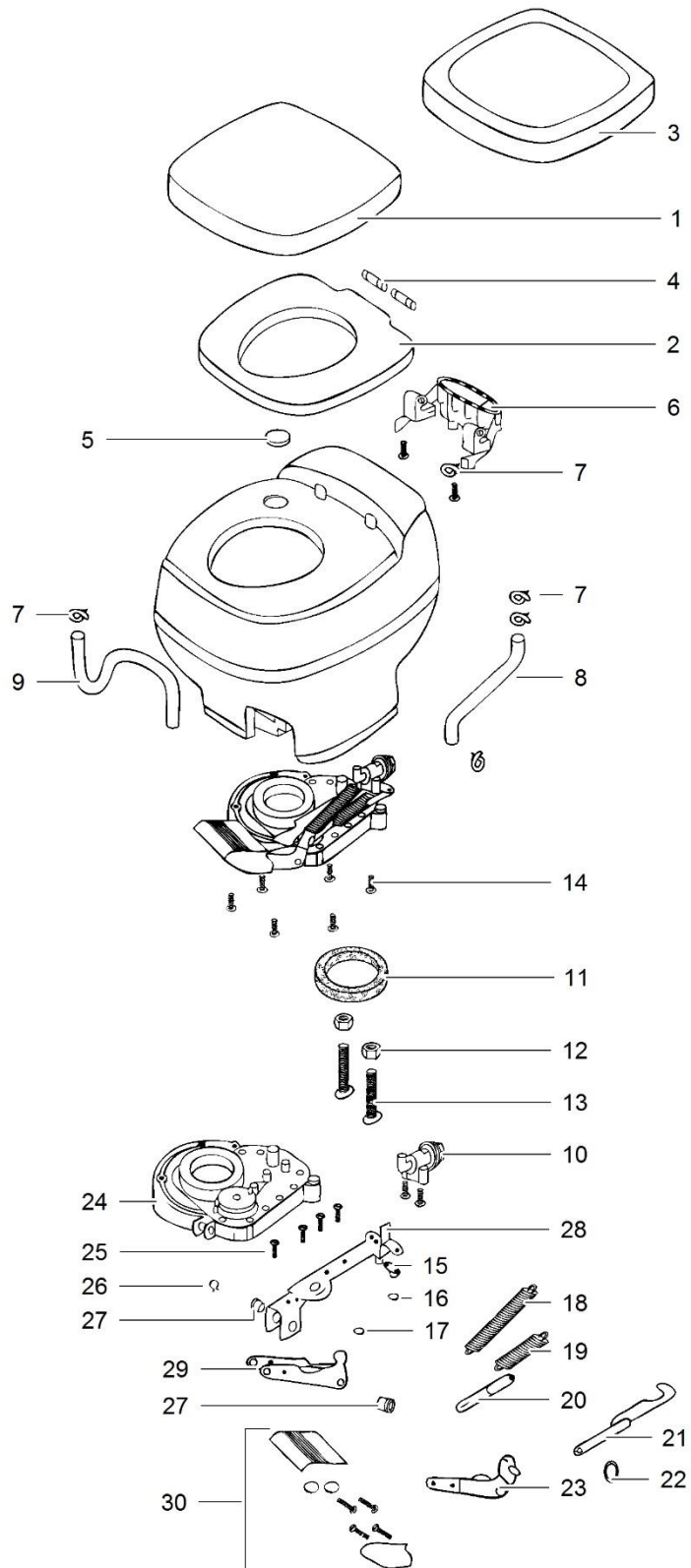
		Spare part number	Spare part number	Spare part number	Colours available
Pump out system - spare parts & accessories					
<i>Only for S-models</i>					
40	Waste-holding tank cover	50742			06
41	Waste-holding tank insert	50743			06
42	Seal	50749	50745	50747	06
43	Seal				
44	Tube connection				
45	Base				06
46	Base cover				
47	Clicker		50744		06
48	Spring				
49	Level indicator pump out	50746			06
50	Pump	50748			

THETFORD SPARES

Colour index sanitation

Colour Numbers	Description	Colour reference
06	Slate Grey	RAL 7015
07	Traffic Grey	RAL 7042
10	Ivory-United States	Not available
16	Turquoise Green	RAL 6016
30	Mocha	NCS S 2005-Y40R
38	Grey Beige	RAL 1019
44	Beige-Europe	PMS 05543P
47	White/Silver	Not available
57	Creamy White	RAL 9001
62	White/Grey	Not available
66	Light Ivory	RAL 1015
68	Grey White	RAL 9002
74	Moon Grey	Pantone 417
78	Yellow	RAL 1003
79	Edelweiss	Ideal-Std. 46
85	Blue	RAL 5015
88	Grey-Brown	Not available
89	Granite	Not available
90	Anthracite Grey	RAL 7016
92	Orange	Not available
111	Signal White	RAL 9003
127	White	NCS S 0300-N
130	Ruby Red	RAL 3003
132	Signal Black	RAL 9004
133	Agate Grey	RAL 7038
135	Light Grey Granite	Not available

AQUA MAGIC Starlite/Galaxy (last production in 2001)



THETFORD SPARES

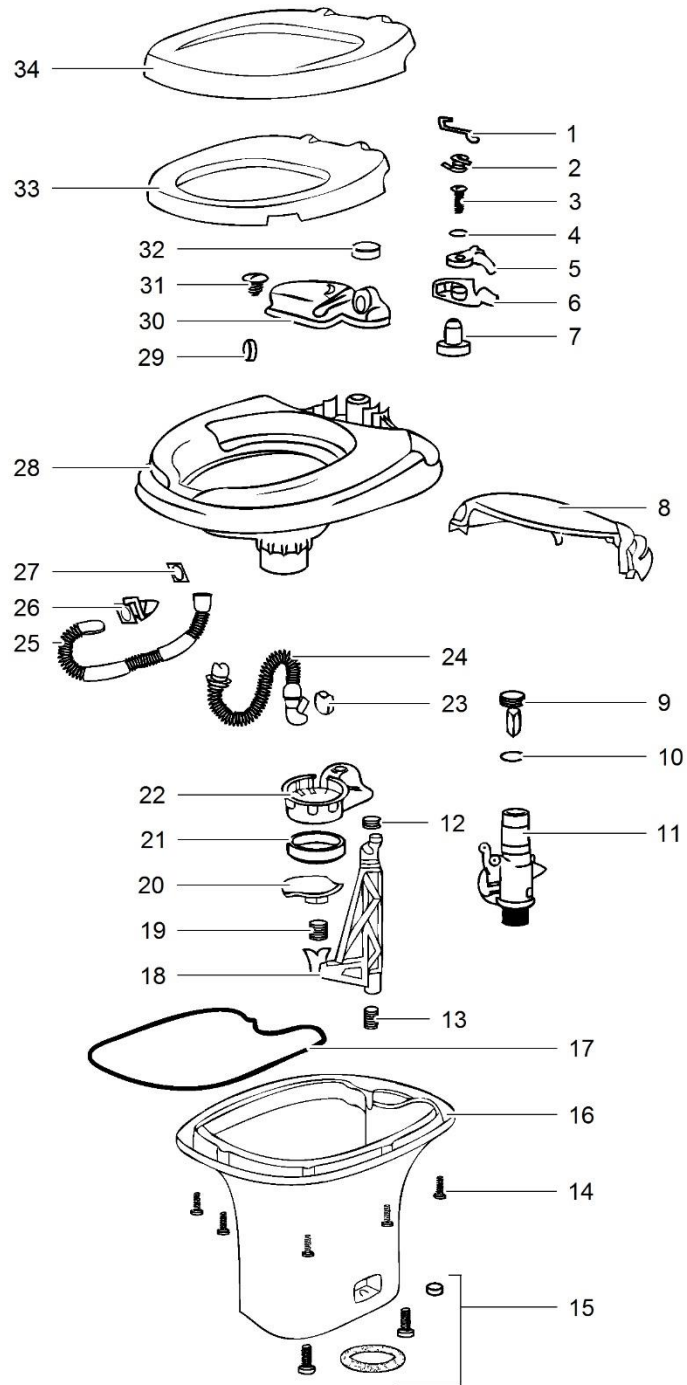
AQUA MAGIC Starlite/Galaxy (last production in 2001)

		Spare part number	Spare part number	Spare part number	Colours available
1	Cover parchment				
2	Seat			36768	
3	Cover ivory/tanpad				
4	Hinge pin	12986			
5	Top hole plug				
6	Vacuum breaker	20702			10
7	Hose clamp	02504			
8	Tube				
9	Tube				
10	Ball valve			09868	
11	Closet flange seal	02125	08975		
12	Nut	02690			
13	Closet bolt	05001			
14	Screw	03994			
15	Ball valve drive arm				
16	Lock washer				
17	Base assembly nut				
18	Spring				
19	Spring				
20	Push link				
21	Drive arm				
22	Retaining ring				
23	Pedal arm				
24	Base & cover mechanism blade				
25	Screw				
26	Cotter pin				
27	Bushing				
28	Level plate				
29	Pedal arm				
30	Pedal open				
	Mechanism repair package	08368			
	Mechanism complete				
	<i>March 1985 – July 1990</i>	14622			
	<i>After July 1990</i>	24203			

For more accessories refer to page 12

THETFORD SPARES

AQUA MAGIC IV (last production in 2004)



THETFORD SPARES

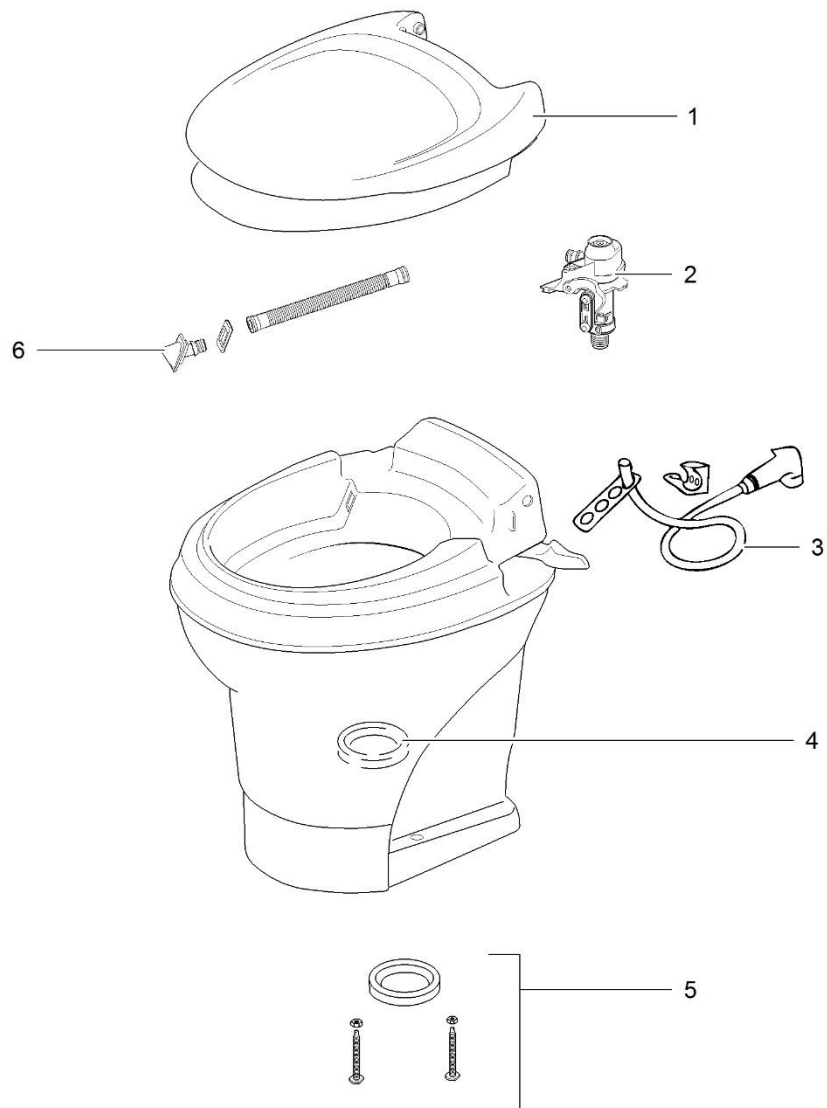
AQUA MAGIC IV (last production in 2004)

		Spare part number	Spare part number	Colours available
1	Link ball valve			
2	Spring level return			
3	Screw			
4	Washer			
5	Water lever	12514		62
6	Flush lever	12515		
7	Bearing			
8	Cover mechanism			
9	Float			
10	O-ring		24846	
11	Watervalue			
12	Actuator arm seal			
13	Actuator spring	12517		
14	Screw			
15	Closet bolt package	12524		
16	Base			
17	PTI			
18	Actuator arm	12479 <i>high version</i>	12923 <i>low version</i>	
19	Blade spring			
20	Blade	12482		
21	Blade seal	12481		
22	Blade track			
23	Flapper			
24	Overflow tube			
25	Flush tube			
26	Nozzle			
27	Gasket			
28	Bowl			
29	Seal			
30	Reservoir tank			
31	Screw			
32	Retaining band			
33	Seat		24641	
34	Cover			10, 57, 62

For more accessories refer to page 12

THETFORD SPARES

AQUA MAGIC V | 1014

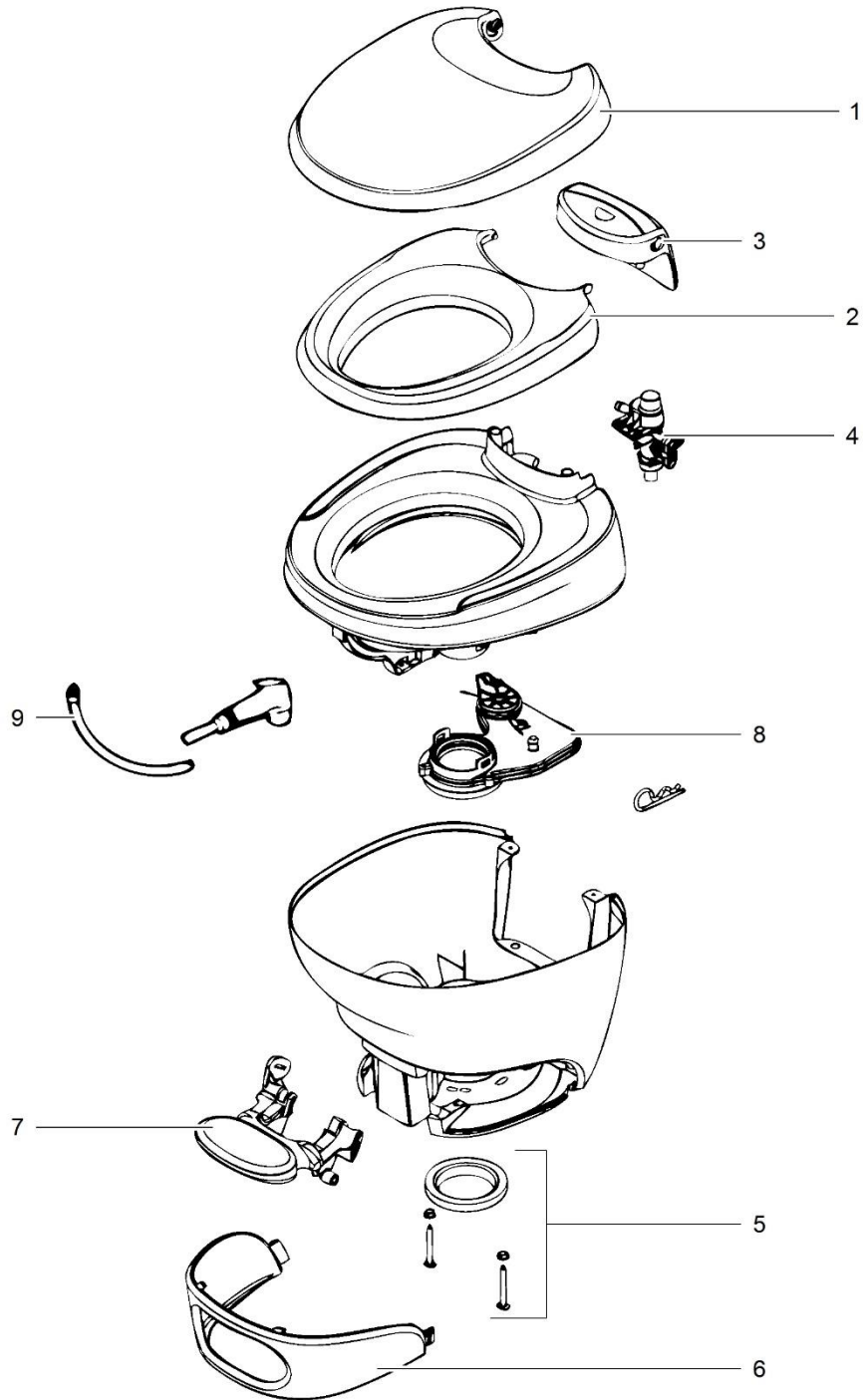


		Spare part number	Spare part number	Colours available
1	Seat & cover	31703		62
2	Water module	31705		
3	Hand spray kit	19289		
4	Blade seal	31708		
5	Closet bolt package	12524		
6	Nozzle	31706		

For more accessories refer to page 12

THETFORD SPARES

AQUA MAGIC Bravura | 0715



THETFORD SPARES

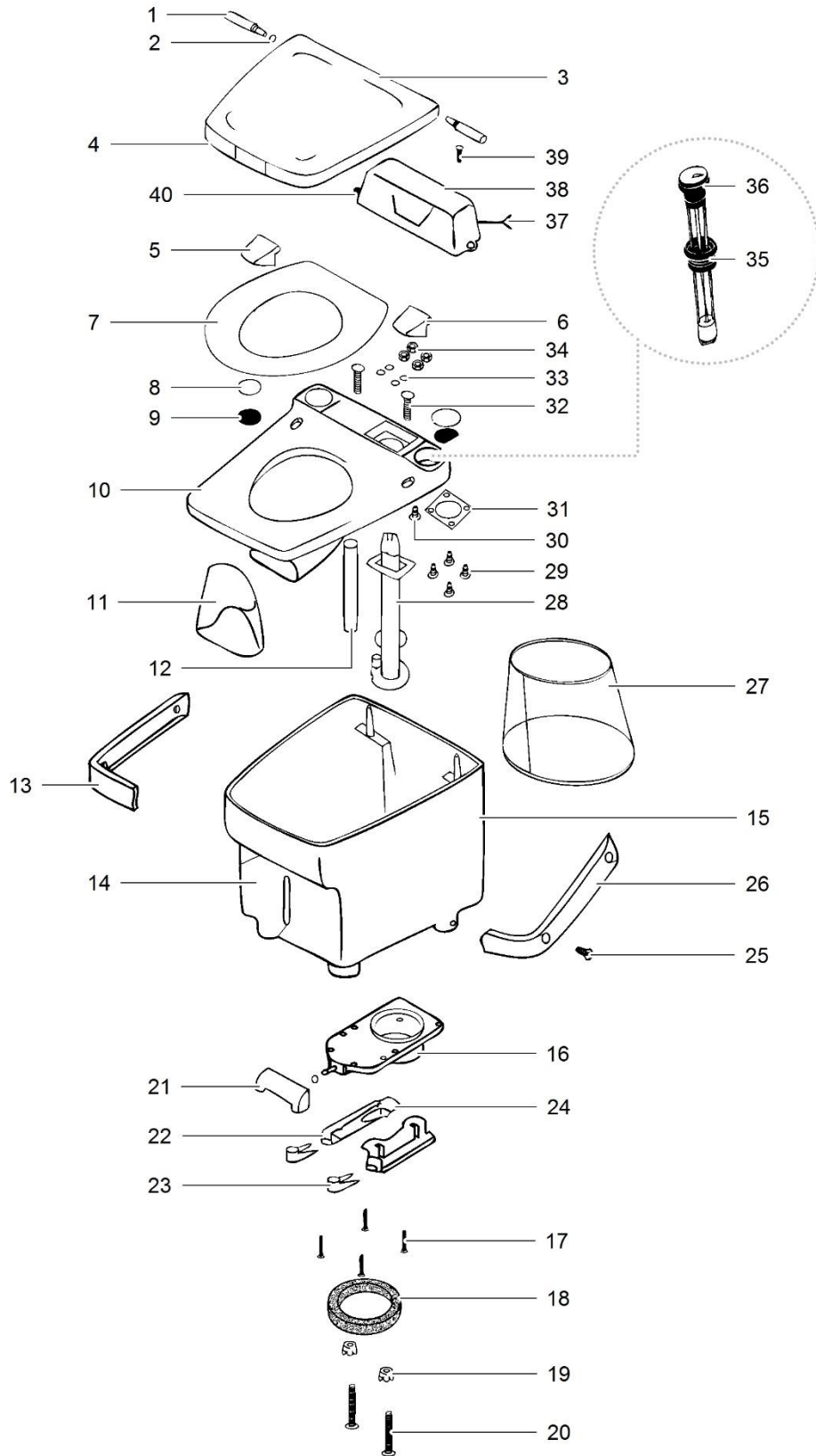
AQUA MAGIC Bravura | 07

		Spare part number	Spare part number	Colours available
1	Cover			
2	Seat		33377	
3	Pod	31110		62
4	Water module	31113		
5	Closet flange	31115		
6	Shroud (high model)	31117		62
7	Pedal	31114		62
8	Mechanism	31111		
	Mechanism seal package	31112		
9	Water saver	31116		62

For more accessories refer to page 12

THETFORD SPARES

ELECTRA MAGIC



THETFORD SPARES

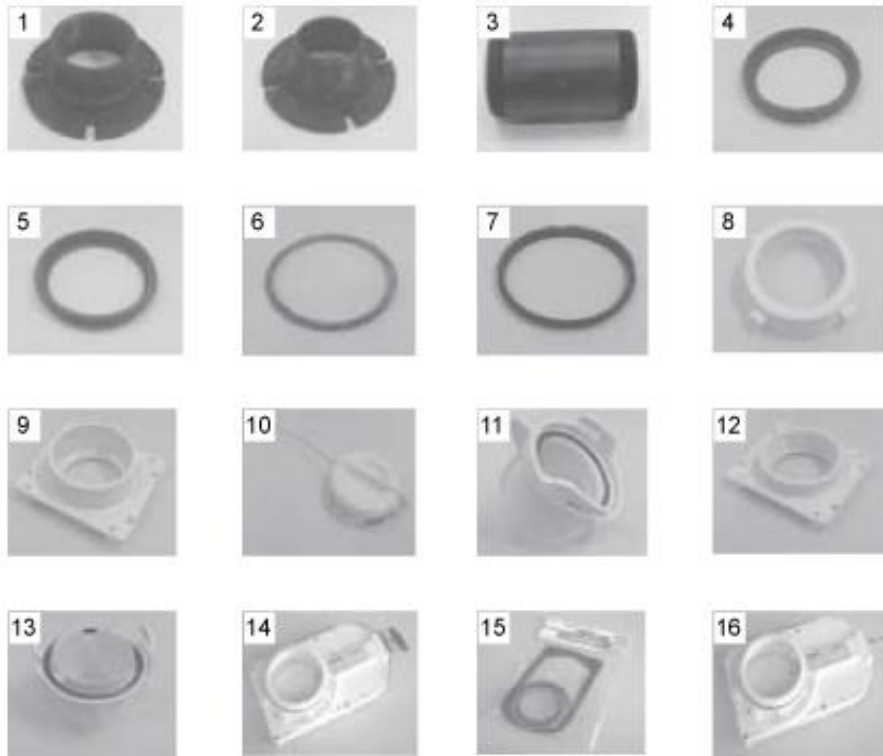
ELECTRA MAGIC

		Spare part number	Spare part number	Spare part number	Colours available
1	Hinge pin	35788	35782	35778	
2	Retaining ring				
3	Cover				
4	Seal				
5	Hinge left hand	35783	35787	35776	
6	Hinge right hand				
7	Seat				
8	Cap	35779			
9	Splash guard				
10	Cover & bowl				
11	Vinyl skirt				
12	Inlet tube				
13	Base molding left				
14	Main housing				
15	Main housing seal	35781			
16	Slide ez valve			35776	
	<i>with handle</i>	35770			
	<i>with longer shaft</i>	35771			
17	Screw				
18	Closet flange seal		12524		
19	Nut				
20	Closet bolt				
21	Handle		35780		
22	Retaining ring				
19	Slide				
20	Mounting bracket	08636			
25	Screw				
26	Base molding right				
27	Filter cone	35773			
28	Pump	35784	35774 <i>pump & motor 12V</i>	35775 <i>pump & motor 24V</i>	
	Motor 12V	35785			
	Motor 24V	35786			
29	Screw				
30	Screw				
31	Gasket				
32	Screw				
33	Lock washer				
34	Nut				
35	Grommet		35772		
36	Level indicator				
37	Cable				
38	Motor cover		35777		
39	Screw				
40	Switch				

For more accessories refer to page 12

THETFORD SPARES

AQUA MAGIC - ELECTRA MAGIC accessories | 1114

Spare part
numberSpare part
numberColours
available

Aqua Magic and Electra Magic

1	Closet flange mnl	02620	
2	Closet flange vrl	02621	
3	Nipple	08648	
4	Lip seal < 30 March 2001	08308	
5	Lip seal ≥ 30 March 2001	24654	
6	Seal valve	01436	
7	Seal valve	33231	
8	Bayonet ring	01639	62
9	Adaptor bond-on	01659	62
10	Cap	01664	
11	Hose adaptor	01665	
12	Adaptor threaded	01959	62
13	Bumper hose adaptor	02593	
14	Slide ez valve	35770	
15	Slide ez valve seal package	35776	

Electra Magic

16	Slide ez valve	35771	
----	----------------	-------	--

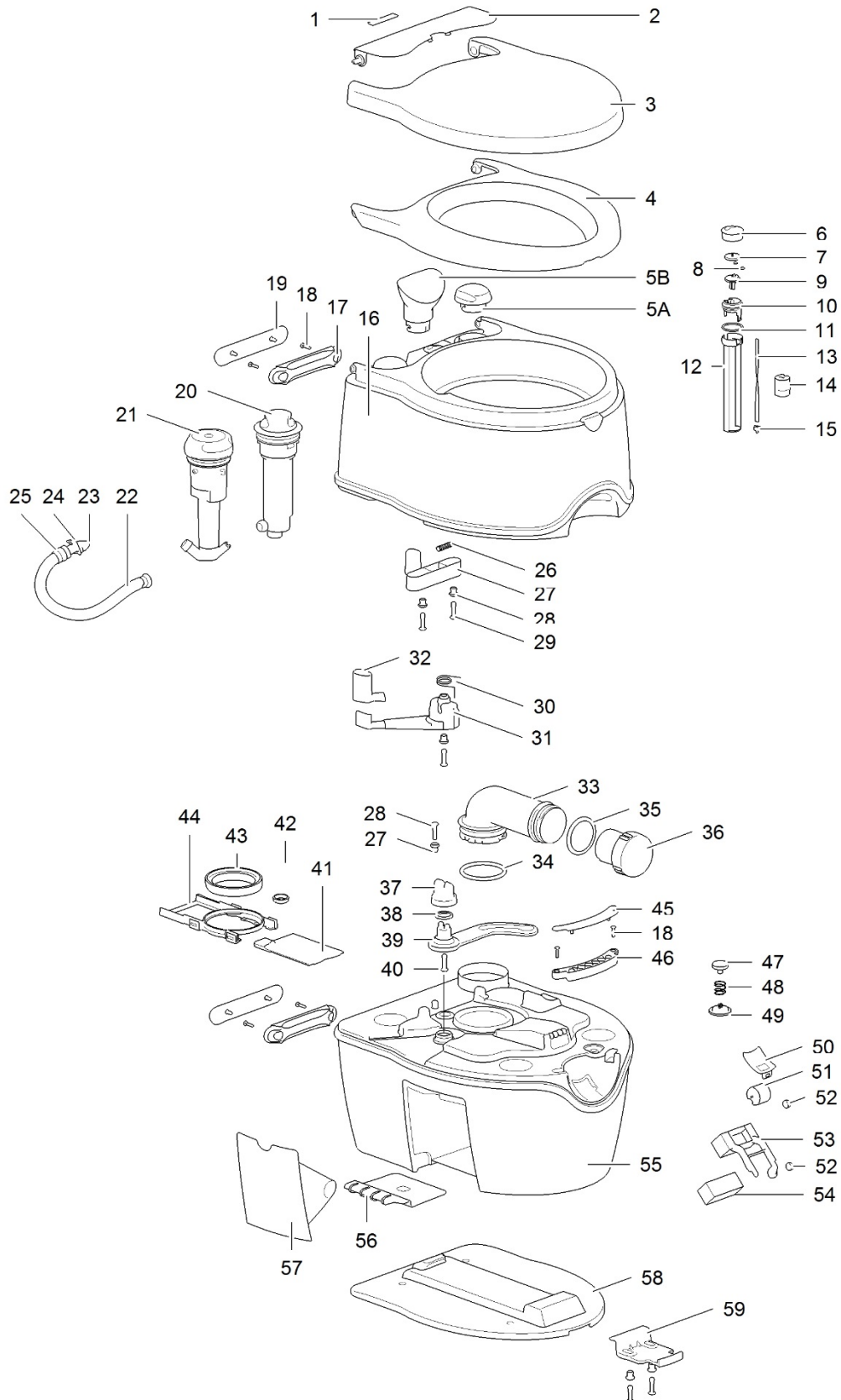
THETFORD SPARES

Colour index sanitation

Colour Numbers	Description	Colour reference
06	Slate Grey	RAL 7015
07	Traffic Grey	RAL 7042
10	Ivory-United States	Not available
16	Turquoise Green	RAL 6016
30	Mocha	NCS S 2005-Y40R
38	Grey Beige	RAL 1019
44	Beige-Europe	PMS 05543P
47	White/Silver	Not available
57	Creamy White	RAL 9001
62	White/Grey	Not available
66	Light Ivory	RAL 1015
68	Grey White	RAL 9002
74	Moon Grey	Pantone 417
78	Yellow	RAL 1003
79	Edelweiss	Ideal-Std. 46
85	Blue	RAL 5015
88	Grey-Brown	Not available
89	Granite	Not available
90	Anthracite Grey	RAL 7016
92	Orange	Not available
111	Signal White	RAL 9003
127	White	NCS S 0300-N
130	Ruby Red	RAL 3003
132	Signal Black	RAL 9004
133	Agate Grey	RAL 7038
135	Light Grey Granite	Not available

THETFORD SPARES

PORTA POTTI EXCELLENCE



THETFORD SPARES

PORTA POTTI EXCELLENCE

	Spare part number	Spare part number	Colours available
1	Sticker logo		
2	Small cover		
3	Cover	92403	66, 111, 135
4	Seat		
5A	Water fill cap	92404	66, 111, 130, 135
5B	Water fill adapter	92414	111
6	Water level indicator cover		
7	Water level indicator lens		
8	Magnet		
9	Dial upper		
10	Water level indicator housing	92405	66, 111, 130, 135
11	O-ring		
12	Float guide		
13	Spill		
14	Float		
15	Cap spill		
16	Flush-water tank		
17	Carry handle back		
18	Screw		
19	Cover carry handle back		
20	Piston pump	92401	66, 111, 130
21	Electric pump	92402	07
22	Flush tube		
23	Nozzle		
24	O-ring		
25	Spring-plunger		
26	Spring		
27	Clasp		
28	Clasp spacer		
29	Screw		
30	Spring torsion		
31	Blade handle		
32	Cap blade handle		
33	Pour out spout	92408	07, 38, 132
34	O-ring		
35	Seal	92406	111
36	Measuring cup		
37	Blade opener		
38	Seal		
39	Blade driver		
40	Screw		
41	Blade		

THETFORD SPARES

PORTA POTTI EXCELLENCE

	Spare part number	Spare part number	Colours available
42	Vent seal	07102	
43	Lip seal	07101	
44	Blade retainer		
45	Cover carry handle front		
46	Carry handle front		
47	Vent button		
48	Spring	92407	111
49	Vent button seal		
50	Cover level indicator		
51	Dial	92410	07, 38, 90, 132
52	Magnet		
53	Float bracket	92409	
54	Float foam		
55	Waste-holding tank		
56	Hinge toilet roll holder		
57	Toilet roll holder		
58	Floor plate	92415	07
59	Clip floor plate		

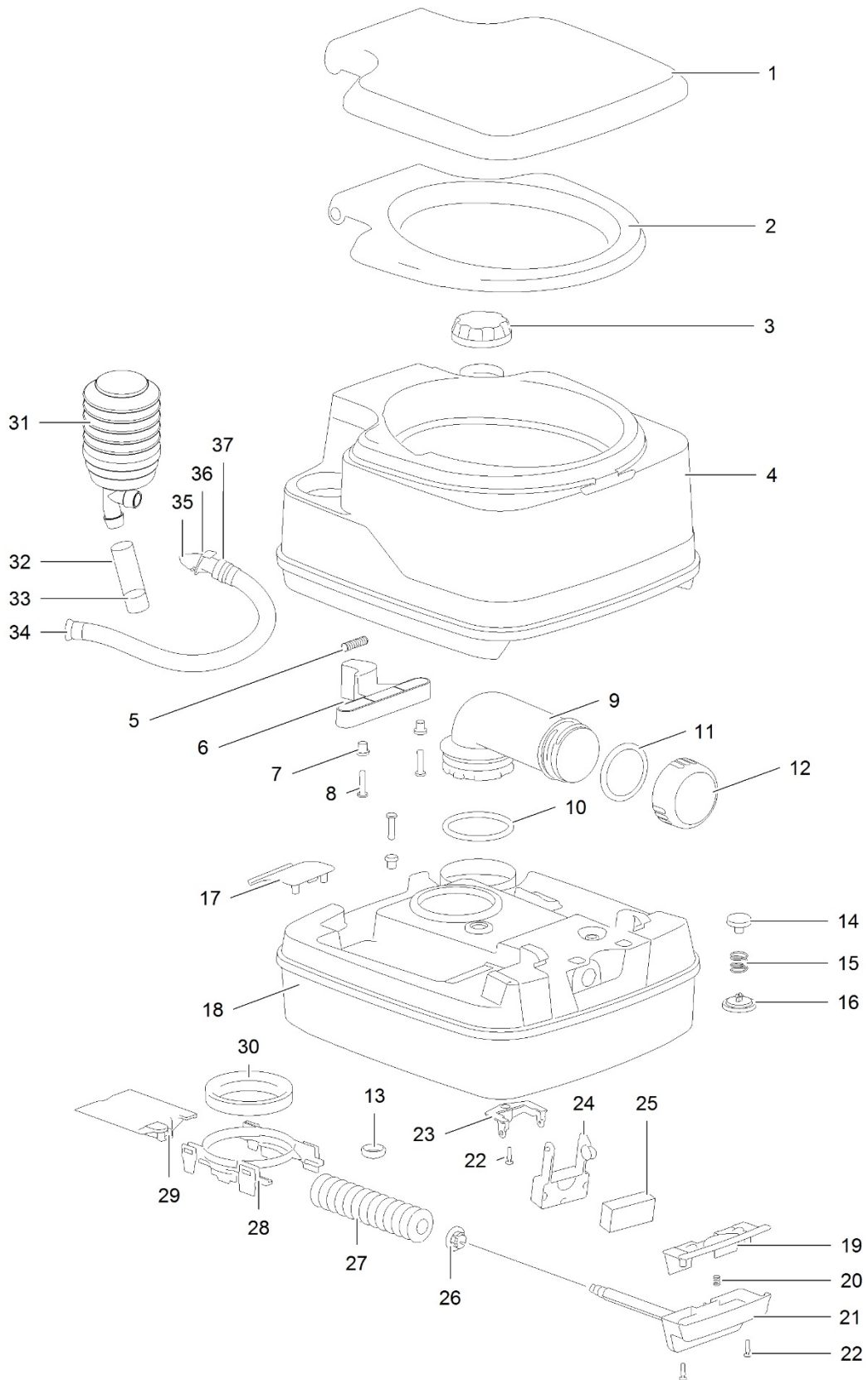
THETFORD SPARES

Colour index sanitation

Colour Numbers	Description	Colour reference
06	Slate Grey	RAL 7015
07	Traffic Grey	RAL 7042
10	Ivory-United States	Not available
16	Turquoise Green	RAL 6016
30	Mocha	NCS S 2005-Y40R
38	Grey Beige	RAL 1019
44	Beige-Europe	PMS 05543P
47	White/Silver	Not available
57	Creamy White	RAL 9001
62	White/Grey	Not available
66	Light Ivory	RAL 1015
68	Grey White	RAL 9002
74	Moon Grey	Pantone 417
78	Yellow	RAL 1003
79	Edelweiss	Ideal-Std. 46
88	Grey-Brown	Not available
89	Granite	Not available
90	Anthracite Grey	RAL 7016
92	Orange	Not available
111	Signal White	RAL 9003
127	White	NCS S 0300-N
130	Ruby Red	RAL 3003
132	Signal Black	RAL 9004
133	Agate Grey	RAL 7038
135	Light Grey Granite	Not available

THETFORD SPARES

PORTA POTTI QUBE 145 - 165



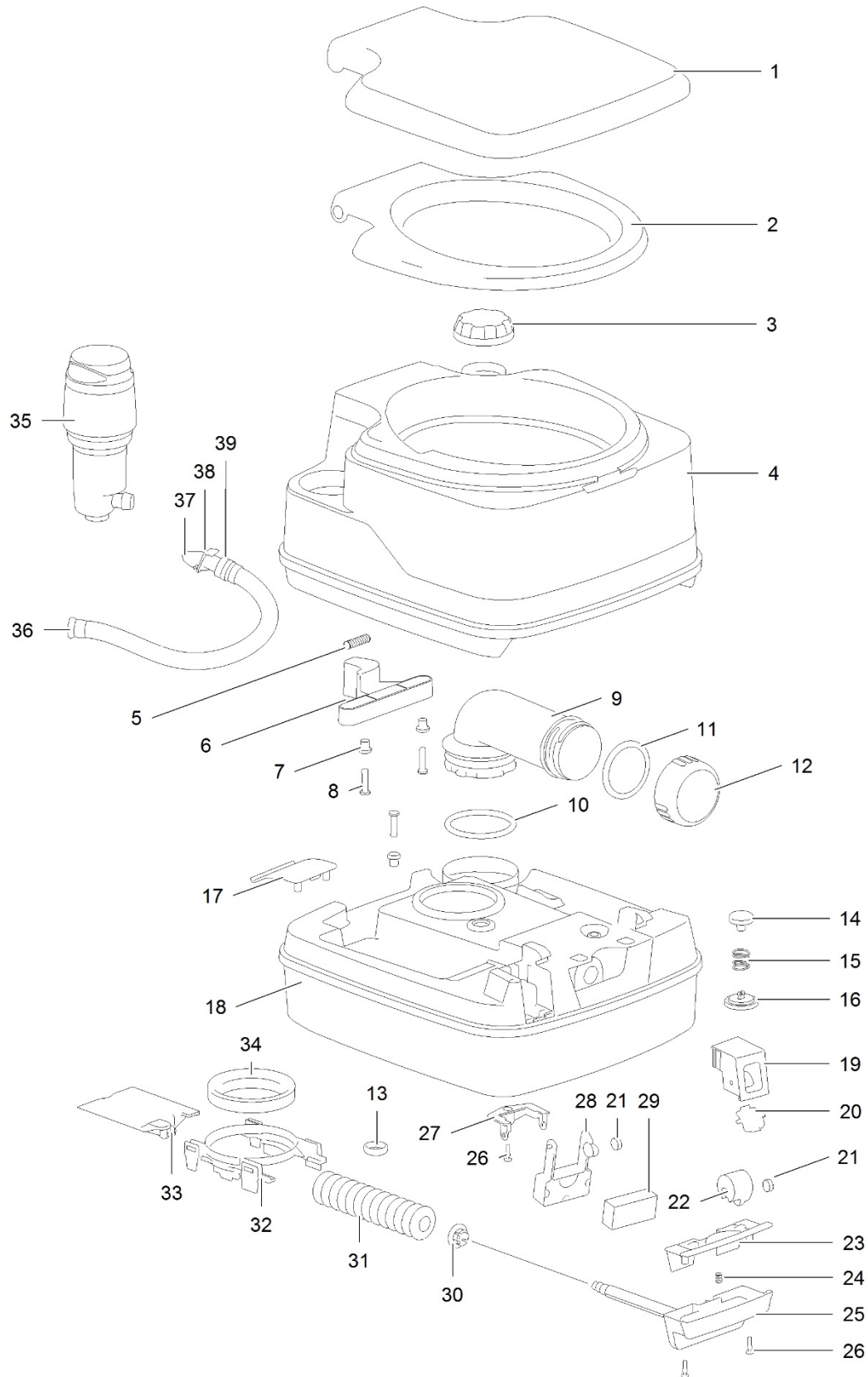
THETFORD SPARES

PORTA POTTI QUBE 145 - 165

		Spare part number	Spare part number	Colours available
1	Cover		92903	66, 68, 111, 131
2	Seat			133
3	Water fill cap	92905		66, 68, 111, 131 133
4	Flush-water tank			
5	Spring			
6	Clasp			
7	Clasp spacer			
8	Screw			
9	Pour out spout			
10	O-ring		92907	07, 38, 74, 131
11	Seal	92906		111
12	Cap pour out spout			
13	Vent seal	07102		
14	Vent button			
15	Spring		92407	111
16	Vent button seal			
17	Clip			
18	Waste-holding tank			
19	Cover valve handle			
20	Spring valve handle			
21	Valve handle			
22	Screw			
23	Float retainer			
24	Float arm			
25	Foam			
26	Bushing slotted			
27	Boot seal			
28	Retainer blade			
29	Blade			
30	Lipseal	07101		
31	Bellow	07862		62
32	Tubing			
33	Check valve body/flapper			
34	Flush tube			
35	Nozzle			
36	O-ring			
37	Spring/plunger			

THETFORD SPARES

PORTA POTTI QUBE 335 - 345 - 365



THETFORD SPARES

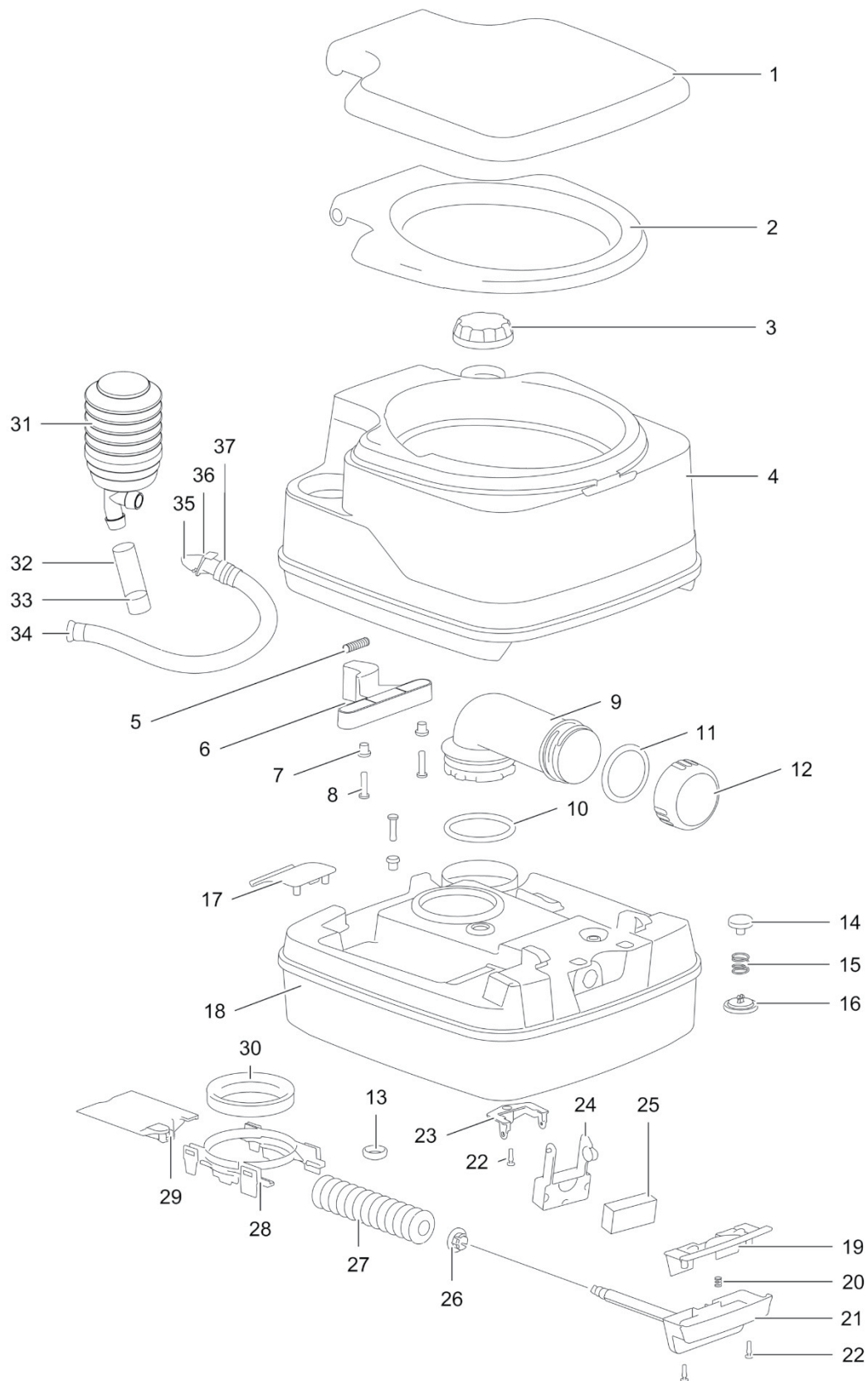
PORTA POTTI QUBE 335 - 345 - 365

		Spare part number	Spare part number	Spare part number	Colours available
1	Cover		92904	92903	66, 68, 111,
2	Seat		PPQ335	PPQ345-365	130, 133
3	Water fill cap	92905			66, 68, 111, 130, 133
4	Flush-water tank				
5	Spring				
6	Clasp				
7	Clasp spacer				
8	Screw				
9	Pour out spout			92907	07, 38, 74, 132
10	O-ring				
11	Seal		92906		111
12	Cap pour out spout				
13	Vent seal	07102			
14	Vent button				
15	Spring		92407		111
16	Vent button seal				
17	Clip				
18	Waste-holding tank				
19	Cover level indicator				
20	Side glass level indicator		92909	92908	07, 38, 74, 76, 132
21	Magnet		PPQ335	PPQ345-365	
22	Dial				
23	Cover valve handle				
24	Spring valve handle				
25	Valve handle				
26	Screw				
27	Float retainer				
28	Float arm				
29	Foam				
30	Bushing slotted				
31	Boot seal				
32	Retainer blade				
33	Blade				
34	Lipseal	07101			
35	Piston pump	92902 PPQ335	92901 PPQ345-365		66, 111, 130
36	Flush tube				
37	Nozzle				
38	O-ring				
39	Spring/plunger				

THETFORD SPARES

Colour index sanitation

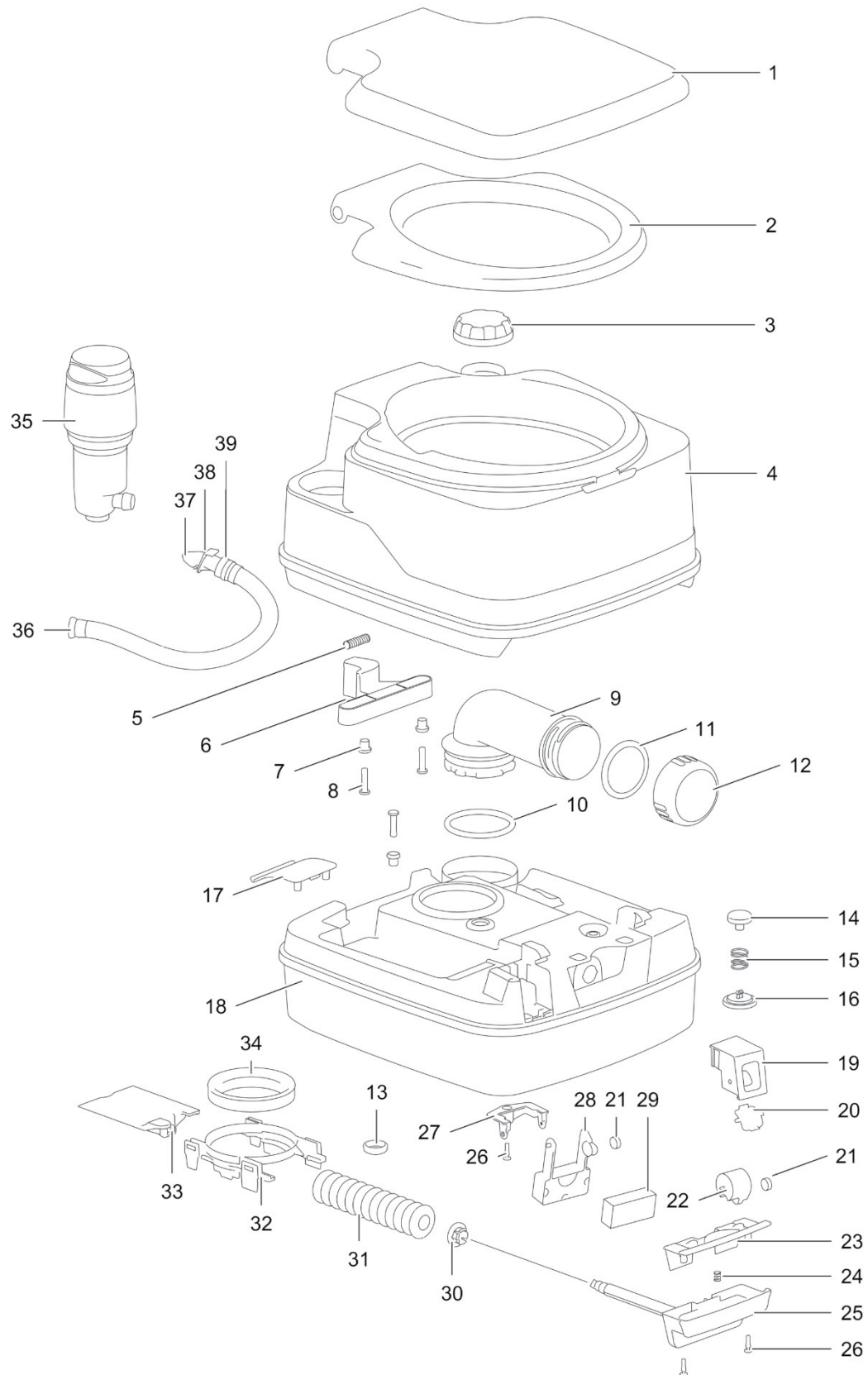
Colour Numbers	Description	Colour reference
06	Slate Grey	RAL 7015
07	Traffic Grey	RAL 7042
10	Ivory-United States	Not available
16	Turquoise Green	RAL 6016
30	Mocha	NCS S 2005-Y40R
38	Grey Beige	RAL 1019
44	Beige-Europe	PMS 05543P
47	White/Silver	Not available
57	Creamy White	RAL 9001
62	White/Grey	Not available
66	Light Ivory	RAL 1015
68	Grey White	RAL 9002
74	Moon Grey	Pantone 417
78	Yellow	RAL 1003
79	Edelweiss	Ideal-Std. 46
88	Grey-Brown	Not available
89	Granite	Not available
90	Anthracite Grey	RAL 7016
92	Orange	Not available
111	Signal White	RAL 9003
127	White	NCS S 0300-N
130	Ruby Red	RAL 3003
132	Signal Black	RAL 9004
133	Agate Grey	RAL 7038
135	Light Grey Granite	Not available



THETFORD SPARES

PORTA POTTI 145 - 165

		Spare part number	Spare part number	Colours available
1	Cover		92903	66, 68, 111, 130, 133
2	Seat			
3	Water fill cap	92905		66, 68, 111, 130, 133
4	Flush-water tank			
5	Spring			
6	Clasp			
7	Clasp spacer			
8	Screw			
9	Pour out spout		92907	07, 38, 74, 132
10	O-ring			
11	Seal	92906		111
12	Cap pour out spout			
13	Vent seal	07102		
14	Vent button		92407	111
15	Spring			
16	Vent button seal			
17	Clip			
18	Waste-holding tank			
19	Cover valve handle			
20	Spring valve handle			
21	Valve handle			
22	Screw			
23	Float retainer			
24	Float arm			
25	Foam			
26	Bushing slotted			
27	Boot seal			
28	Retainer blade			
29	Blade			
30	Lipseal	07101		
31	Bellow	07862		62
32	Tubing			
33	Check valve body/flapper			
34	Flush tube			
35	Nozzle			
36	O-ring			
37	Spring/plunger			



THETFORD SPARES

PORTA POTTI 335 - 345 - 365

		Spare part number	Spare part number	Spare part number	Colours available
1	Cover		92904	92903	66, 68, 111,
2	Seat		PPQ335	PPQ345-365	130, 133
3	Water fill cap	92905			66, 68, 111, 130, 133
4	Flush-water tank				
5	Spring				
6	Clasp				
7	Clasp spacer				
8	Screw				
9	Pour out spout			92907	07, 38, 74,
10	O-ring				132
11	Seal		92906		111
12	Cap pour out spout				
13	Vent seal	07102			
14	Vent button				
15	Spring		92407		111
16	Vent button seal				
17	Clip				
18	Waste-holding tank				
19	Cover level indicator				
20	Side glass level indicator		92909	92908	07, 38, 74,
21	Magnet		PPQ335	PPQ345-365	76, 132
22	Dial				
23	Cover valve handle				
24	Spring valve handle				
25	Valve handle				
26	Screw				
27	Float retainer				
28	Float arm				
29	Foam				
30	Bushing slotted				
31	Boot seal				
32	Retainer blade				
33	Blade				
34	Lipseal	07101			
35	Piston pump	92902 PPQ335	92901 PPQ345-365		66, 111, 130
36	Flush tube				
37	Nozzle				
38	O-ring				
39	Spring/plunger				

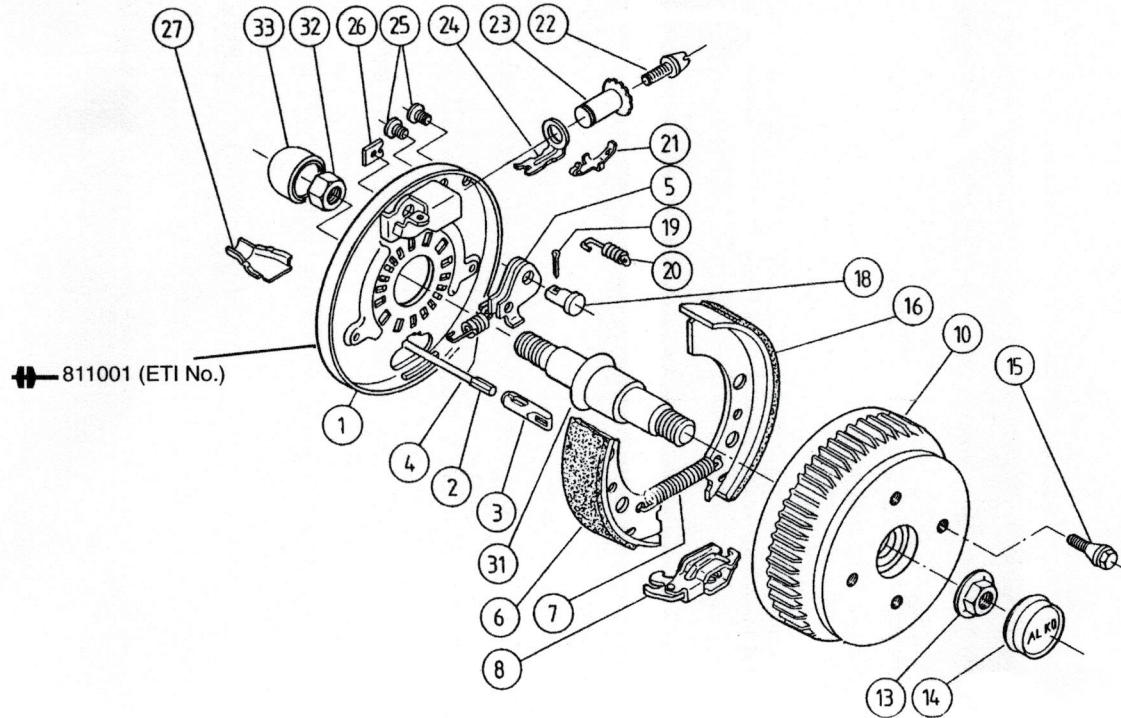
THETFORD SPARES

Colour index sanitation

Colour Numbers	Description	Colour reference
06	Slate Grey	RAL 7015
07	Traffic Grey	RAL 7042
10	Ivory-United States	Not available
16	Turquoise Green	RAL 6016
30	Mocha	NCS S 2005-Y40R
38	Grey Beige	RAL 1019
44	Beige-Europe	PMS 05543P
47	White/Silver	Not available
57	Creamy White	RAL 9001
62	White/Grey	Not available
66	Light Ivory	RAL 1015
68	Grey White	RAL 9002
74	Moon Grey	Pantone 417
78	Yellow	RAL 1003
79	Edelweiss	Ideal-Std. 46
88	Grey-Brown	Not available
89	Granite	Not available
90	Anthracite Grey	RAL 7016
92	Orange	Not available
111	Signal White	RAL 9003
127	White	NCS S 0300-N
130	Ruby Red	RAL 3003
132	Signal Black	RAL 9004
133	Agate Grey	RAL 7038
135	Light Grey Granite	Not available

ALKO SPARES

ETI NO: 811001 / WHEEL BRAKE 1637 - EURO-AXLE VERSION

AL-KO
 QUALITY FOR LIFE


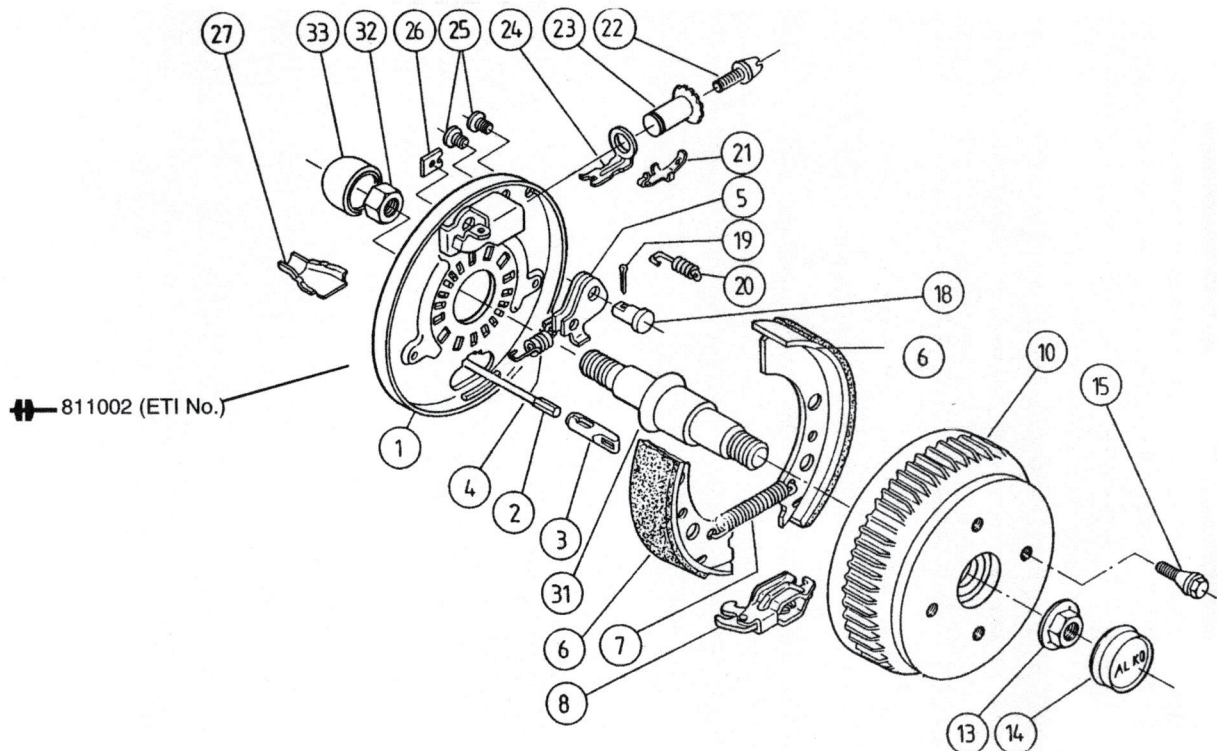
No.	Description	AL-KO Item No.
2	Detachable Bowden Cable Outer Cable Length:	
	350mm	247281/299707
	530mm	247282/299708
	770mm	247283/299709
	890mm	247284/299710
	1020mm	247285/299711
	1130mm	247286/299712
	1320mm	247287/299713
	1430mm	247288/299714
	1620mm	247289/299715
	1790mm	247290/299716
3	Cable Eye:	
	Cast Version	371388
	Pressed Version	604262
4	Reverse Spring Lever LH	2188870001
	Reverse Spring Lever RH	372805
5	Reverse Lever LH	384308
	Reverse Lever RH	384309
6	Brake Shoe – Trailing	384481
7	Pull Off Spring	2182150003
8	Expanding Clutch	570666
10	Brake Drum Complete	
	98 x 4/M12 x 1.5	573188
	100 x 4/M12 x 1.5	573189
	101.6 x 4/M10 x 1.25	578822
	112 x 5/M12 x 1.5	573190
13	Flange Nut	581200
14	Dust Cap	581197

No.	Description	AL-KO Item No.
15	Wheel bolt: Conical M12 x 1.5	2081670018
16	Brake Shoe - Leading	384296
18	Bearing Bolt	368651
19	Split Pin 4 x 20 – DIN 94	700192
20	Shoe Retaining Spring	2088800003
21	Adjuster Assy Complete	387706
22	Comprising of Items 21,	
23	22, 23 & 24	
24		
25	Plastic Plug	373245
26	Cover Plate	2382610002
27	Bowden Cable Shell	371387
31	Stub Axle	581563
32	Locking Nut	702881
33	Cover	581196

ALKO SPARES

ETI NO: 811002 | WHEEL BRAKE 2051 - EURO-AXLE VERSION

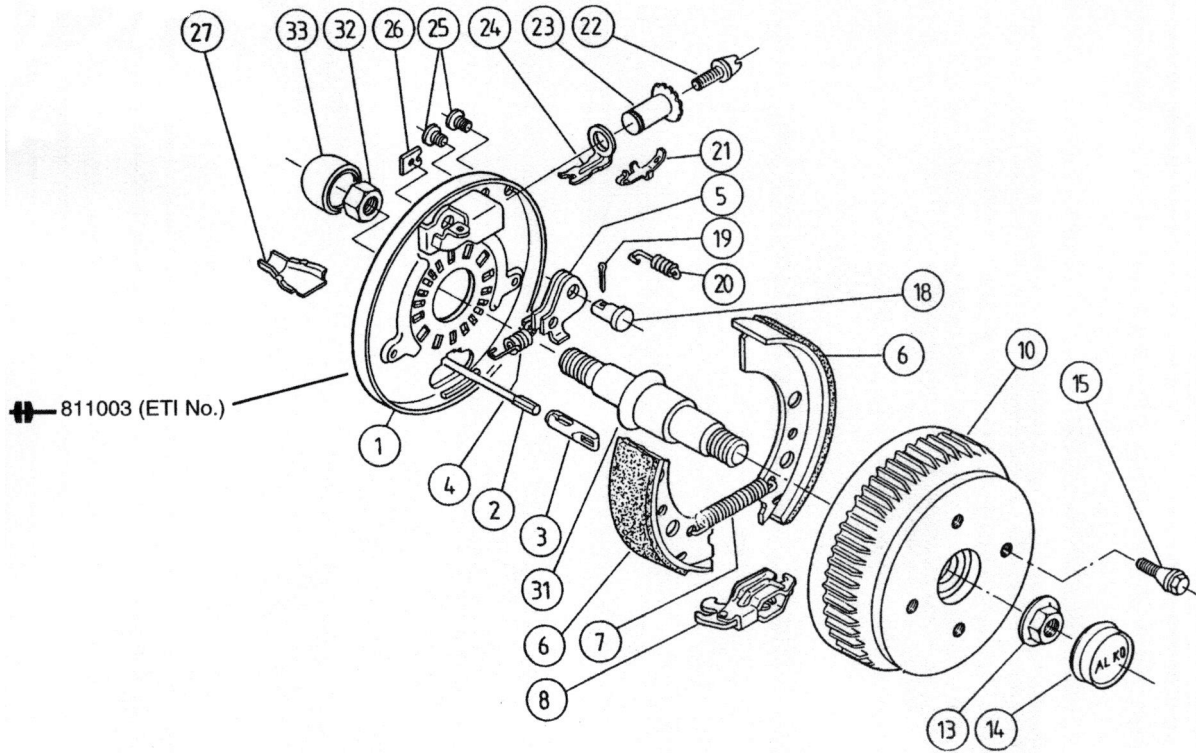
AL-KO
QUALITY FOR LIFE



No.	Description	AL-KO Item No.	No.	Description	AL-KO Item No.
2	Detachable Bowden Cable Outer Cable Length: 350mm 530mm 770mm 890mm 1020mm 1130mm 1320mm 1430mm 1620mm 1790mm	247281/299707 247282/299708 247283/299709 247284/299710 247285/299711 247286/299712 247287/299713 247288/299714 247289/299715 247290/299716	15	Wheel bolt: Conical M12 x 1.5	2081670018
3	Cable Eye Pressed Version	373188 604262	18	Bearing Bolt	368651
4	Reverse Lever Spring	2187370003	19	Split Pin 4 x 20 – DIN 94	700192
5	Reverse Lever LH Reverse Lever RH	571386 571387	20	Shoe Retaining Spring	2088800003
6	Brake Shoe	384294	21	Adjuster Assy	
7	Pull-off Spring	2182000007	22	Comprises Items 21, 22	387706
8	Expanding Clutch	571510	23	23 & 24	
10	Brake Drum Complete: 100 x 4/M12 x 1.5	573192	24	Plastic Plug	373245
13	Flange Nut	581200	25	Cover Plate	2382610002
14	Dust Cap	581197	26	Bowden Cable Shell	371387
			27	Locking Nut	702881
			32	Cover	581196
			33		

ALKO SPARES

ETI NO: 811003 | WHEEL BRAKE 2361 - EURO-AXLE VERSION

AL-KO
 QUALITY FOR LIFE


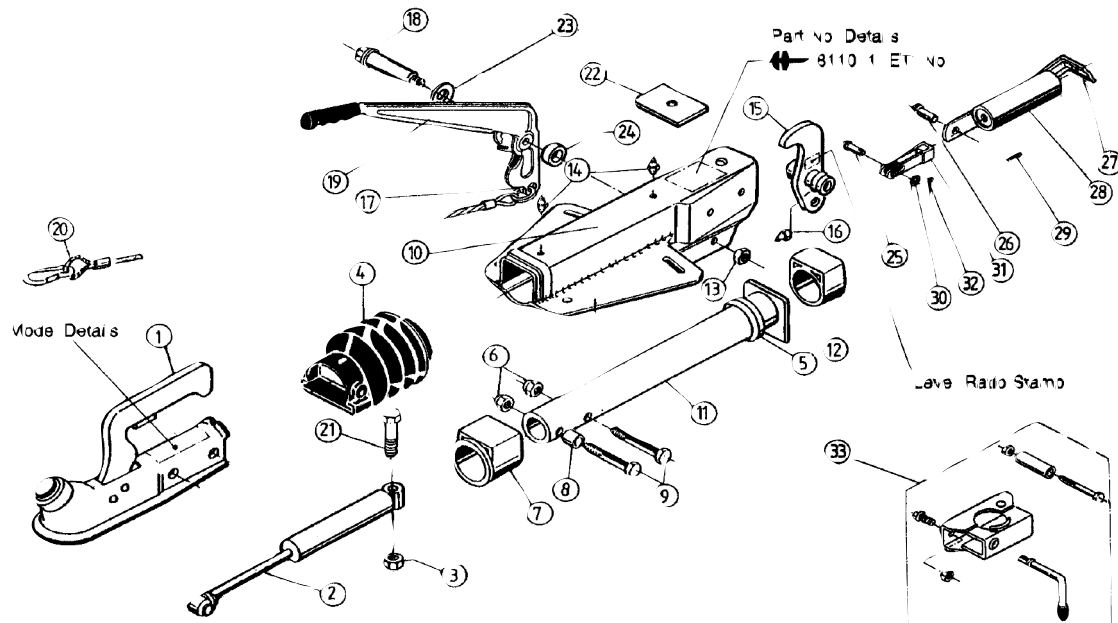
No.	Description	AL-KO Item No.
1	Backplate Welded LH Backplate Welded RH	572372 572373
2	Detachable Bowden Cable Outer Cable Length:	
	350mm	247281
	530mm	247282
	770mm	247283
	890mm	247284
	1020mm	247285
	1130mm	247286
	1320mm	247287
	1430mm	247288
	1620mm	247289
	1790mm	247290
3	Cable Eye Pressed Version	604262
4	Reverse Lever Spring	2187370003
5	Reverse Lever LH	571386
6	Reverse Lever RH	571387
7	Brake Shoe (Pair)	384509
8	Pull-off Spring	2082000007
9	Expanding Clutch	571510
10	Brake Drum Complete:	
	112 x 5/M12 x 1.5	573194
	139.7 x 4/M12 x 1.5	610529
	140 x 5/M14 x 1.5	578834
	165.1 x 5/M16 studs	578835

No.	Description	AL-KO Item No.
13	Flange Nut	582506
14	Dust Cap	582505
15	Wheel bolt:	
	Conical M12 x 1.5	2081670018
	R12 Spherical M12 x 1.5	2081670020
	R14 Spherical M14 x 1.5	2081670002
	Wheel Nut:	
	Spherical M16 x 2	F14631002
	Conical M16 x 2	602439
18	Bearing Bolt	368651
19	Split Pin 4 x 20 – DIN 94	700192
20	Shoe Retaining Spring	2088800003
21	Adjuster Assy	387706
22	Comprises Items 21, 22	
23	23 & 24	
24		
25	Plastic Plug	373245
26	Cover Plate	2382610002
27	Bowden Cable Shell	371387
33	Cover	582542

ALKO SPARES

ETI NO: 811011 | 161S DELTA OVERRUN ASSEMBLY
WITH SPRING CYLINDER

AL-KO
QUALITY FOR LIFE

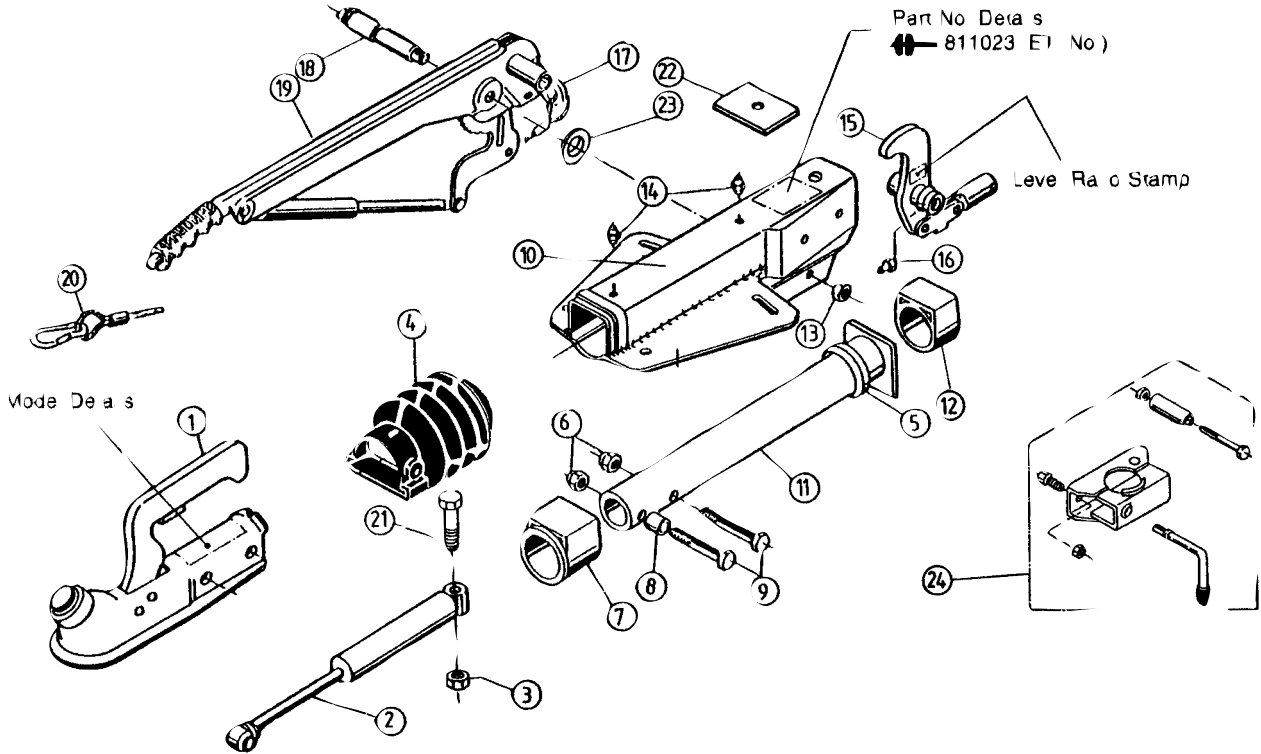


No.	Description	AL-KO Item No.	No.	Description	AL-KO Item No.
1	Coupling Head (50mm)	Quote Model	20	Breakaway Cable	368605
2	Damper	370556		NOTE: For Overruns	
3	Hex nut M12 DIN 985	702750		Produced from Jan 94 on	
4	Gaiter	366356		Order Assy. Part No.	380843
5	Bump Rubber	371372	21	Hex Bolt M12 x 90 DIN 931	700312
6	Hex Nut M12 DIN 985	702750	22	Reinforcement Plate	581699
7	Front Bearing (unreamed)	353943	23	Washer 17.2 x 30 x 3	700625
8	Spacer	370559	24	Spacer	358470
9	Hex Bolt M12 x 70 DIN 931	700061	25	Clevis Pin 10 x 25 DIN 125	702121
10	Housing with Bearings	Quote ETI No.	26	Clevis Pin	2076810609
11	Overrun Shaft	571873	27	Tension Bar	2170110608
12	Rear Bearing (unreamed)	353942	28	Spring Cylinder	2075020601
13	Hex Nut M12 DIN 985	702750	29	Split Pin 4 x 20 DIN94	700192
14	Grease Nipple AM 8x 1	2171710001	30	Washer 10.5 DIN125	700139
15	Overrun Lever:		31	Fork End	2073890606
	Lever Stamped 27	380310	32	Split Pin 3.2 x 20 DIN94	700191
	Lever Stamped 30	380468	33	Jockey Wheel Clamp Kit	
16	Grease Nipple AM6	700203		Pressed Steel Clamp	293020
17	Burst Ring	366900		(Illustrated)	
18	Hand Brake Pivot Bolt	2077710503		Cast Clamp (Not Illustrated)	285750
19	Handbrake Assembly (includes Burst Ring Item 17 & Breakaway Cable Item 20)	354259			

ALKO SPARES

ETI NO: 811023 | 251S DELTA OVERRUN ASSEMBLY
WITH GAS STRUT HANDBRAKE

AL-KO
QUALITY FOR LIFE



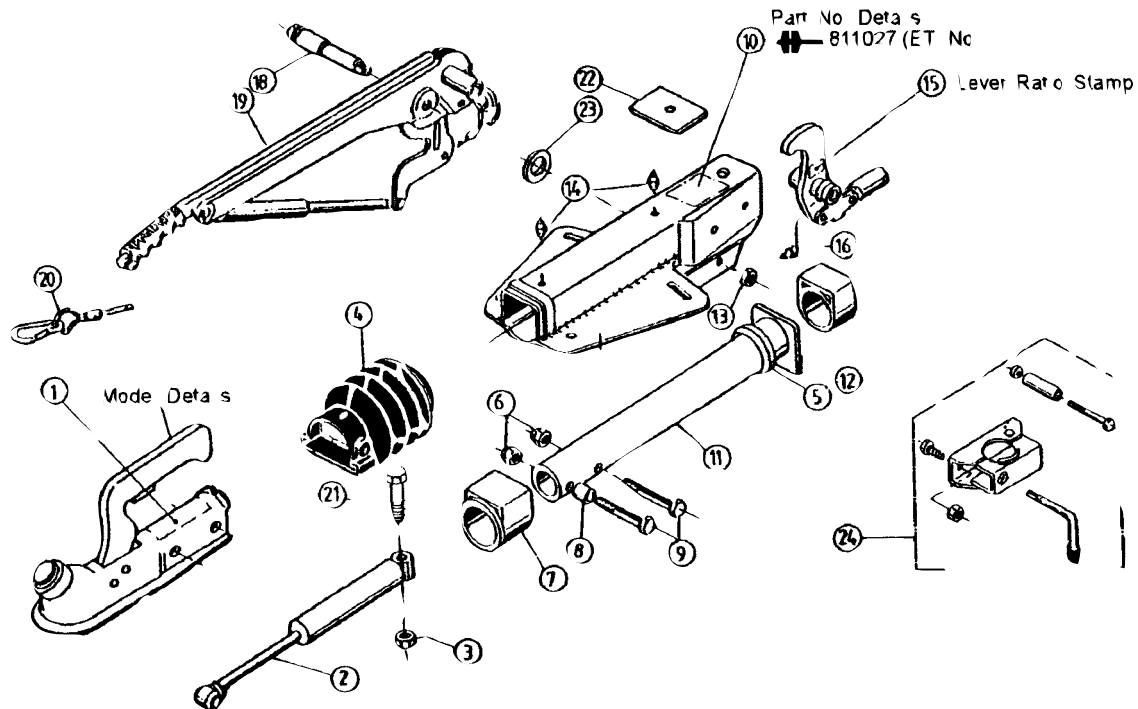
No.	Description	AL-KO Item No.
1	Coupling Head (50mm)	Quote Model Details
2	Damper	370589
3	Hex Nut M12 DIN 985	702750
4	Gaiter	366356
5	Bump Rubber	371372
6	Hex Nut M12 DIN 985	702750
7	Front Bearing Bush (unreamed)	353943
8	Spacer	357242
9	Hex Bolt M12 x 75 DIN931	701249
10	Housing with Bearings	Quote Part No & ETI No.
11	Overrun Shaft	571874
12	Rear Bearing Bush (unreamed)	353942
13	Hex Nut M12 DIN 985	702750
14	Grease Nipple AM 8 x 1	2171710001
15	Overrun Lever with Link and Grease Nipple (Item 16)	
	Lever Stamped 27	380265
	Lever Stamped 30	380286
	Universal Overrun Lever 90: x	
	X = 27	380525
	X = 30	380526
	X = 33.5	380527

No.	Description	AL-KO Item No.
16	Grease Nipple AM6 (Included in Item 15)	700203
17	Burst Ring	2045470102
18	Handbrake Pivot Bolt	581145
19	Handbrake Assembly (includes Burst Ring Item 17 & Breakaway Cable Item 20)	220098
20	Breakaway Cable (Note: For overruns produced from Jan 94 onwards order Part No.)	368605
21	Hex Bolt M12 x 90 DIN 931	700312
22	Reinforcement Plate	581699
23	Washer 19.2 x 34 x 3	370693
24	Jockey Wheel Clamp Kit Complete:	
	Pressed Steel Clamp (Illustrated)	293020
	Cast Clamp (Not Illustrated)	285750

AL-KO SPARES

ETI NO: 811027 | 161S DELTA OVERRUN ASSEMBLY
WITH GAS STRUT HANDBRAKE

AL-KO
QUALITY FOR LIFE

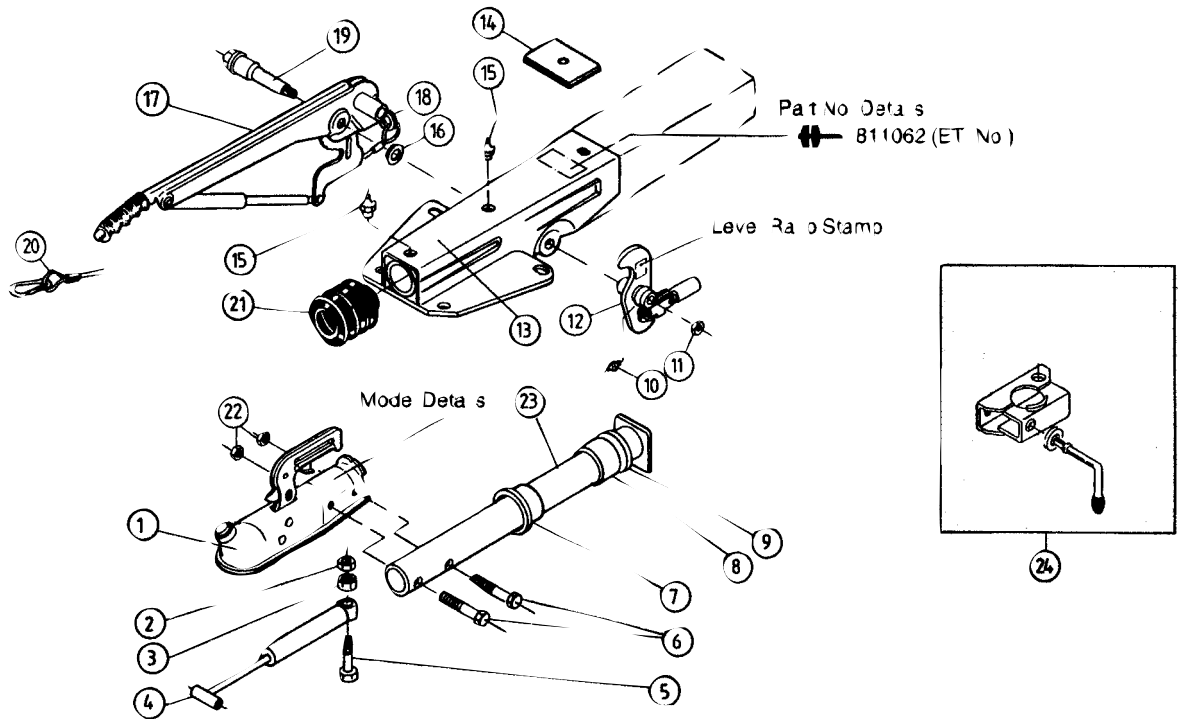


No.	Description	AL-KO Item No.	No.	Description	AL-KO Item No.
1	Coupling Head (50mm)	Quote Model	16	Grease Nipple AM6 (Included in Item 15)	700203
2	Damper	370556	18	Handbrake Pivot Bolt	581145
3	Hex Nut M12 DIN 985	702750	19	Handbrake Assembly (includes Burst Ring Item 17 & Breakaway Cable Item 20)	220096
4	Gaiter	366356	20	Breakaway Cable	368605
5	Bump Rubber	371372	21	Hex Bolt M12 x 90 DIN 931	700312
6	Hex Nut M12 DIN 985	702750	22	Reinforcement Plate	581699
7	Front Bearing Bush	353943	23	Washer 19.2 x 34 x 3 DIN	370693
8	(unreamed)	370559	24	125 Jockey Wheel Clamp Kit Complete:	293020
9	Spacer			Steel Clamp (Illustrated)	285750
10	Housing with Bearings	Quote Part No & ETI No.		Cast Clamp (Not Illustrated)	
11	Overrun Shaft	571873			
12	Rear Bearing Bush (unreamed)	353942			
13	Hex Nut M12 DIN 985	702750			
14	Grease Nipple AM 8 x 1	2171710001			
15	Overrun Lever:				
	Lever Stamped 27	380265			
	Lever Stamped 30	380285			

AL-KO SPARES

ETI NO: 811062 | 90 S/3 DELTA OVERRUN ASSEMBLY
WITH GAS STRUT HANDBRAKE

AL-KO
QUALITY FOR LIFE



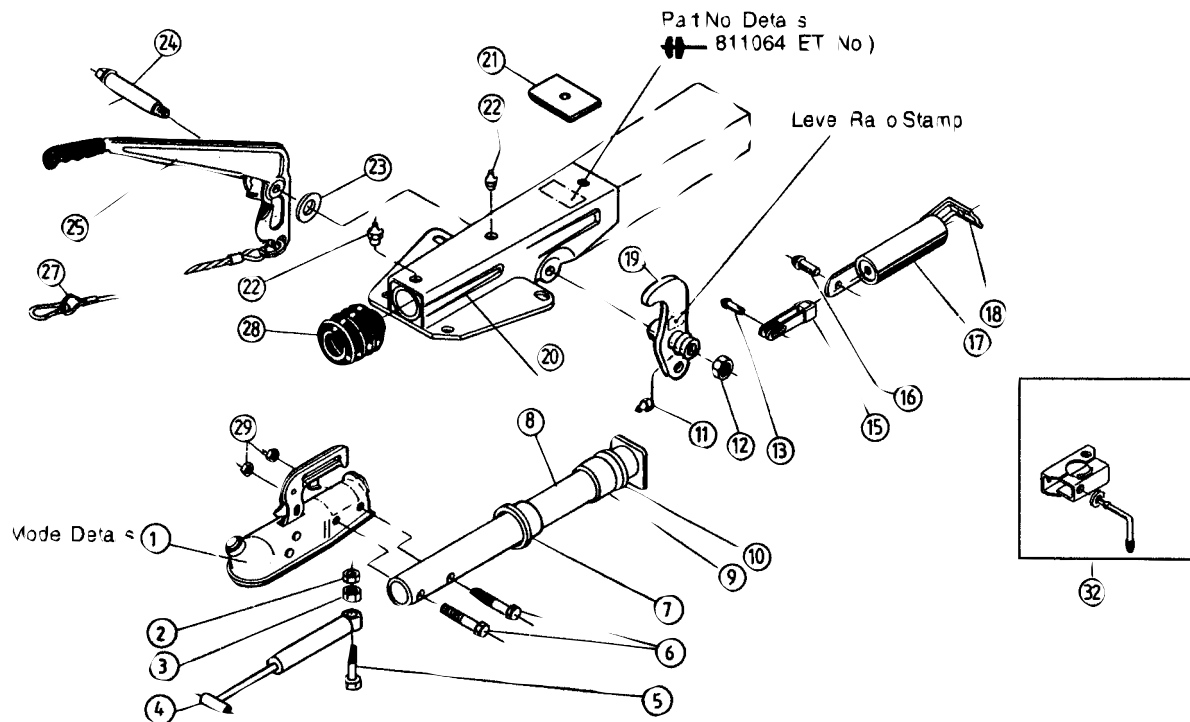
No.	Description	AL-KO Item No.
1	Coupling Head (50mm)	Quote Model
2	Hexagon Nut M10 DIN 6925-8	700644
3	Hexagon Nut M10 DIN 934	700109
4	Damper	359987
5	Hexagon Bolt M10 x 55 DIN 931	700275
6	931	700281
7	Hexagon Bolt M12 x 55 DIN 931	2072410202
8	931	2072410206
9	Front Bearing Bush (unreamed)	2072410207
10	Rear Bearing Bush (unreamed)	700203
11	Bump Stop	
12	Grease Nipple AM 6 DIN 71412 (Included in Item 12)	700645
13	Hexagon Nut M12 DIN 6925-8	384760
14	Overrun Lever (Stamped 27) Housing Complete with Bearings	Quote Part No. & ETI No.
15		368820
16		2171710001
17	Reinforcement Plate	370693
18	Grease Nipple AM 8 x 1	
19	Washer 19.2 x 34 x 3	

No.	Description	AL-KO Item No.
17	Handbrake Assembly (Includes Items 18 & 20)	220094
18	Burst Ring	2045470102
19	Handbrake Pivot Bolt	581146
20	Breakaway Cable	368605
21	Gaiter	2073890210
22	Hex Nut M12 DIN 6925-8	702645
23	Drawshaft	384654
24	Jockey Wheel Clamp Kit Complete	
	Pressed Steel Clamp (Illustrated)	293020
	Cast Clamp (Not Illustrated)	295191

ALKO SPARES

ETI NO: 811064 | 90 S/3 DELTA OVERRUN ASSEMBLY
WITH SPRING CYLINDER

AL-KO
QUALITY FOR LIFE

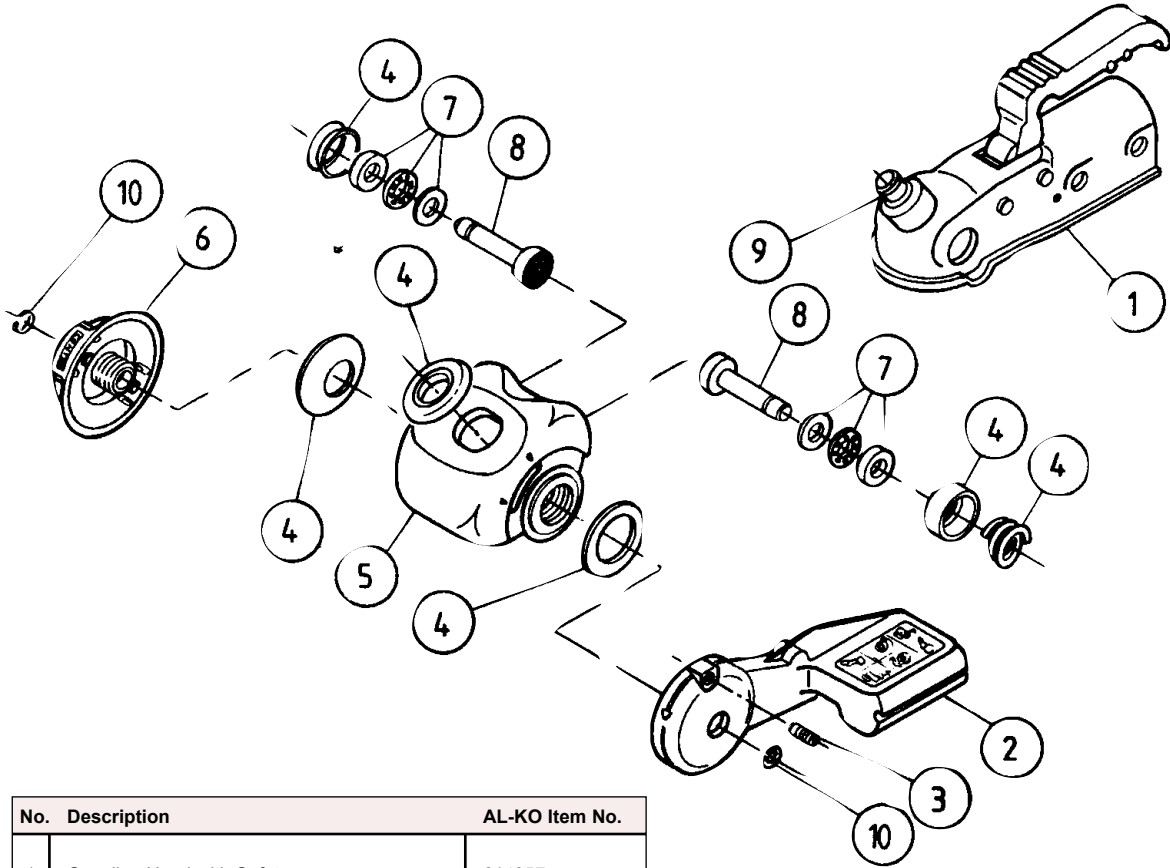


No.	Description	AL-KO Item No.
1	Coupling Head (50mm)	Quote Model
2	Hexagon Nut M10 DIN 6925-8	700644
3	Hexagon Nut M10 DIN 934	700109
4	Damper	359987
5	Hexagon Bolt M10 x 55 DIN 931	700275
6	Hexagon Bolt M12 x 55 DIN 931	700281
7	Front Bearing Bush (unreamed)	2072410202
8	Overrun Shaft	384654
9	Rear Bearing Bush (unreamed)	2072410206
10	Bump Stop	2072410207
11	Grease Nipple AM 6 DIN 71412 (Included in Item 19)	700203
12	Hexagon Nut M12 DIN 6925-8	700645
13	Clevis Pin 10 x 25 DIN 660	702121
14	Washer 10.5 DIN 125	700139
15	Fork End	2073890606
16	Clevis Pin 12 x 14 DIN 660	701935
17	Spring Cylinder	2075020601
18	Tension Bar	2076830608

No.	Description	AL-KO Item No.
19	Overrun Lever (Includes items, 16, 18, 27 and Burst Ring)	354013
20	Housing Complete with Bearings	Quote Part No. & ETI No. 368820
21	Reinforcement Plate	2171710001
22	Grease Nipple AM 8 x 1	700273
24	Washer 17 x 27 x 2	2170630503
25	Handbrake Pivot Bolt Handbrake Assembly (Includes items 16, 18, 27 and Burst Ring)	354001 368605
27	Breakaway Cable	2073890210
28	Gaiter	702750
32	Hexagon Nut M12 DIN 6925 Jockey Wheel Clamp Kit Complete Pressed Steel Clamp (Illustrated) Cast Clamp (Not Illustrated)	293020 295191

ALKO SPARES

ETI NO: 811120 | AKS1300 STABILISER UNIT

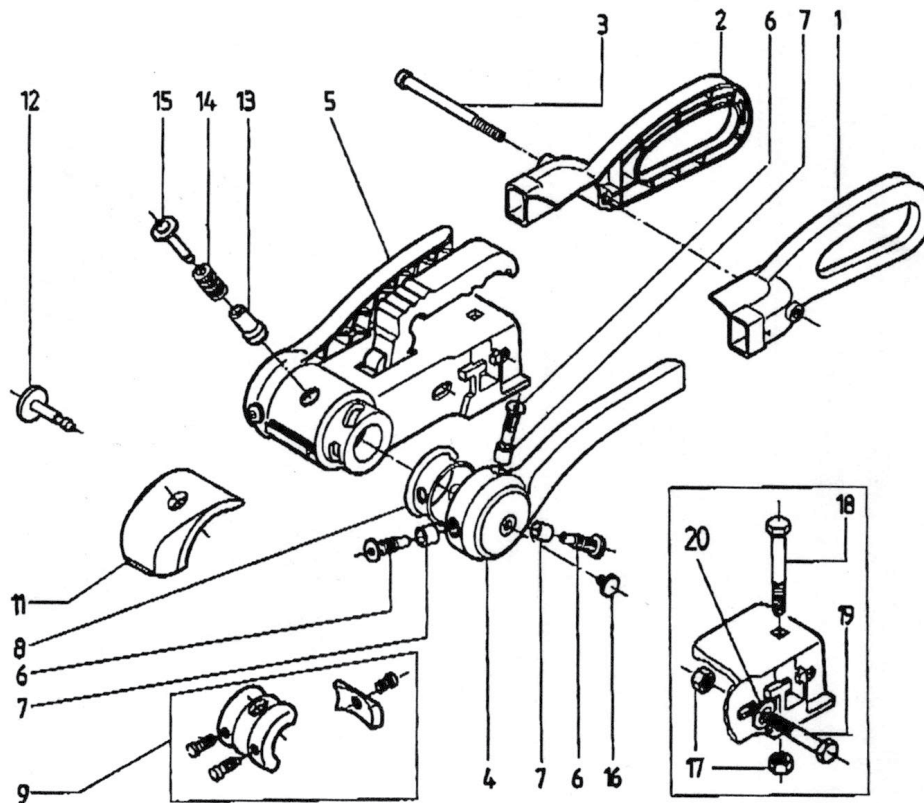
AL-KO
 QUALITY FOR LIFE


No.	Description	AL-KO Item No.
1	Coupling Head with Safety Indicator Button (Item 9)	614357
2	Stabiliser Operating Lever	603379
3	Retaining Screw	603153
4	Seal Kit (5 pieces & spring)	246340
5	Stabiliser Head	614269
6	Ratchet Hand Wheel	614358
7	Bearing Set	246338
8	Friction Pad Kit (Kit comprises 2 Friction Pads & 4 Split Rings)	638057
9	Safety Indicator Button Kit	246341
10	Pair of Split Rings (Plus two spares) Also for item 8	246337

ALKO SPARES

ETI NO: 811280 | AKS 2004 STABILISER (UK VERSION ONLY)

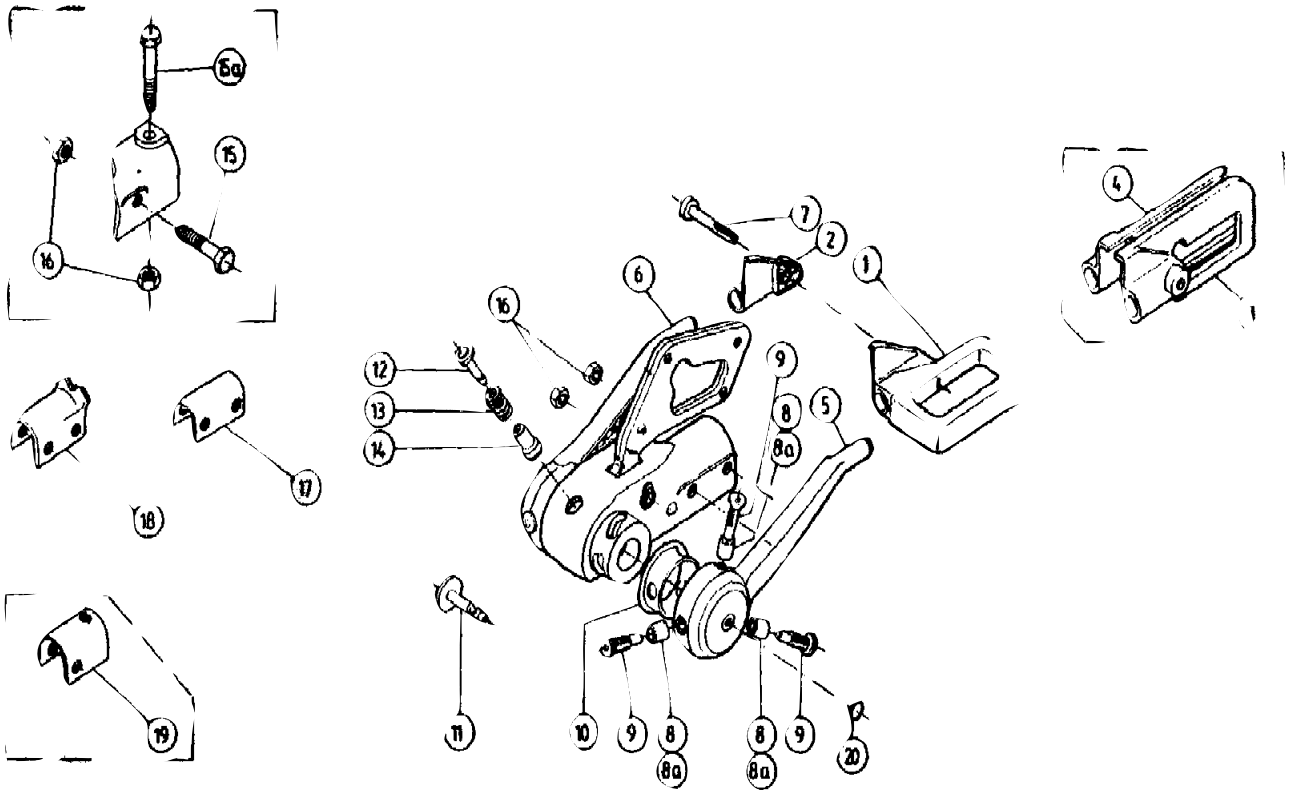
AL-KO
QUALITY FOR LIFE



No.	Description	AL-KO Item No.	No.	Description	AL-KO Item No.
1	Left Handle	690243	13	Indication Button Kit: Comprises Item 13, 14 & 15	286799
2	Right Handle	690244	16	Cap	583885
3	Cylinder Bolt	690246	17	Hex Nut M12 -10A3C x 2	371932
4	Left Arm	690241	18	Bolt M12 x 75mm (Round Head)	603392
5	Right Arm	690242	19	Bolt M12 x 75mm (Allen Key Head) x 2)	704439
6	Bearing Bolt	372284	20	Washer A13 DIN 125 A3C	700140
7	Bearing	380307			
8	Seal	372166			
9	Friction Pad Kit: Comprises Item 9 & 10 plus Countersunk & Torx screws	1212126			
11	Soft Dock Rubber	690736			
12	Friction Pad (Kit of 2)	287763			

ALKO SPARES

ETI NO: 811041 / AKS 2000/2500/2700 STABILISER

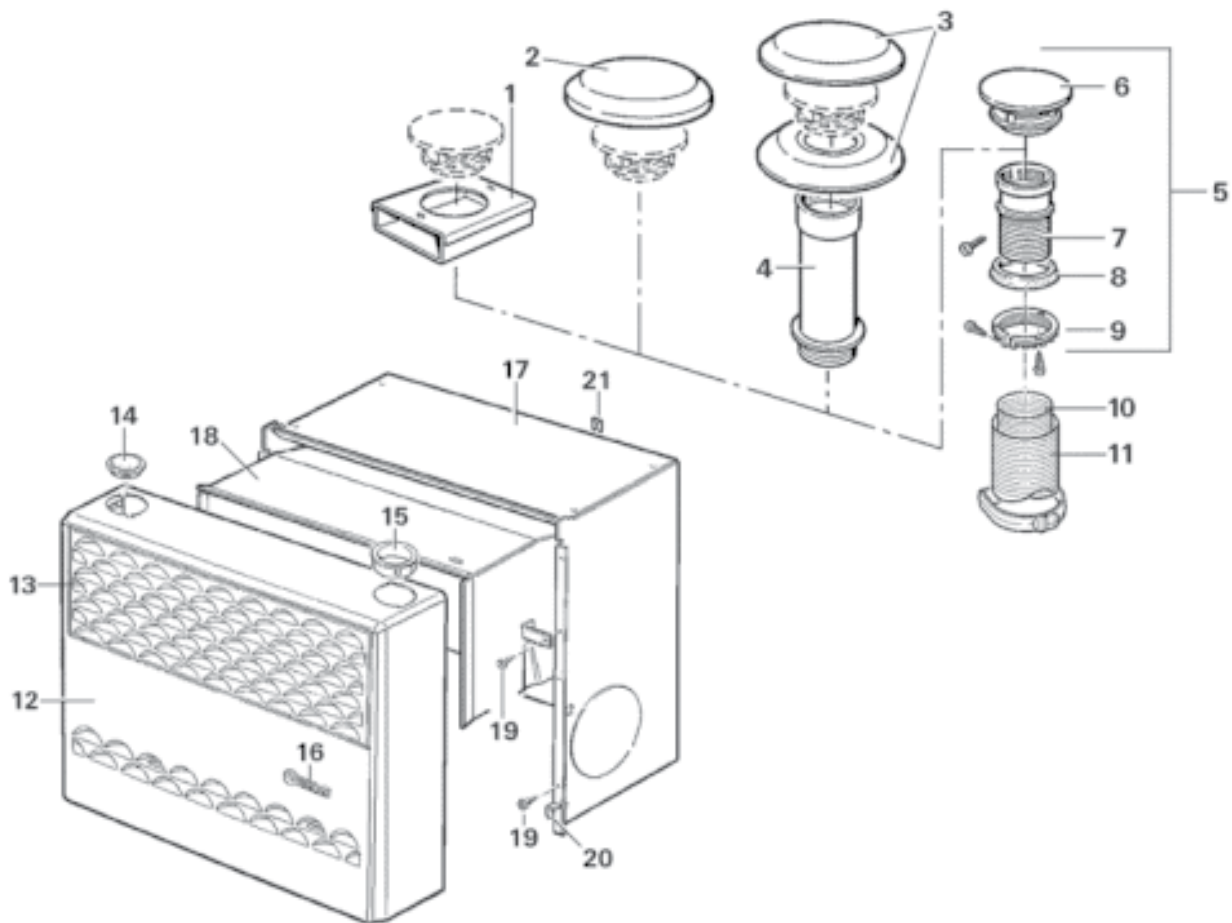
AL-KO
 QUALITY FOR LIFE


No.	Description	ETR Ref:	AL-KO Item No.
1	Handle L/Hand Type A		372161
2	Handle R/Hand Type A		372162
3	Handle L/Hand Type B		581158
4	Handle R/Hand Type B		581159
5	Arm L/Hand		573912
6	Arm R/Hand		573913
7	Allen Head Bolt m8 x 75mm		373547
8	Bearing		702363
8a	Bearing		702365
9	Bolt M10 x20.8		372284
10	Seal		372166
11	Friction Pad Kit Comprises of: 2xItem 11, 2xItem20		286581
12	Indicator Button Kit: Comprises Item 12, 13 & 14		286799

No.	Description	ETR Ref:	AL-KO Item No.
15	Hex Bolt M12 x 80mm. 10.9		703556
15a	Hex Bolt M12 x 75mm. 10.9 Type B		703334
16	Nut M12		701966
17	Packing Piece 40mm Type A		372936
18	Packing Piece 35mm Type A		372937
19	Packing Piece 45mm Type B		372462
20	Cap		583885

TRUMA SPARES

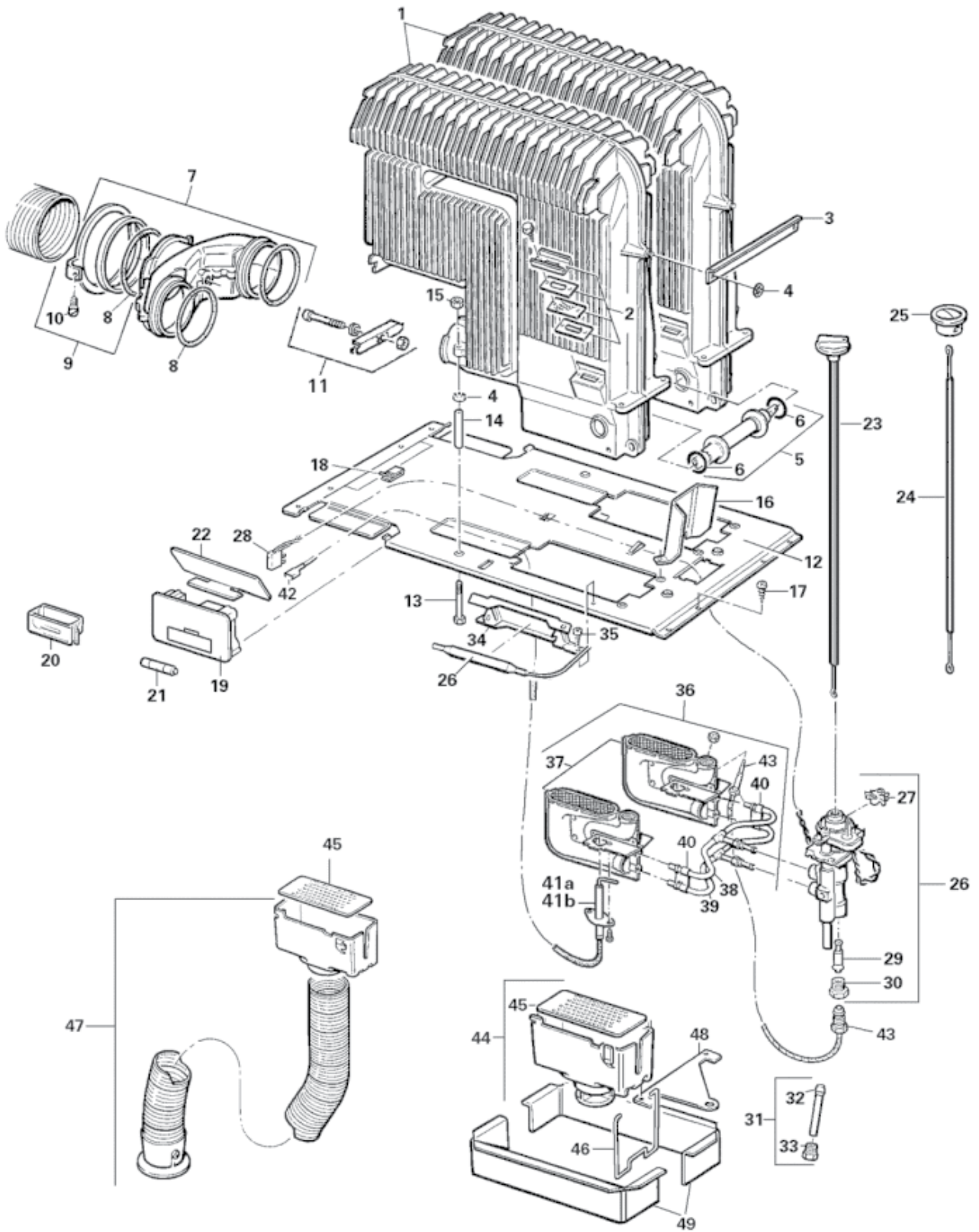
TRUMATIC SL5002 CASE



Ref	Truma No.	Description
1	30700-01	Cowl top T-1
2	30700-02	Cowl top T-2
3	30700-03	Cowl top T-3
4	30010-20800	Cowl extension AKV, 15 cm
5	30651-01	Cowl AKL-5
6	30010-20900	Cowl roof
7	30050-19300	Cowl part AKL 5, 70 mm
8	30050-17800	Sealing ring for cowl
9	30050-17900	Screwing ring for cowl
10	30160-00	Exhaust duct AE-5-/65 per metre
11	40250-00	Insulating duct ÜR5 per metre
12	00000-00001	not available Front case sepia brown
13	00000-00001	not available Case grill with cover
14	30030-18800	Blank cover
15	30030-18700	Knob socket
16	30030-18200	Type plate after 05/96
16	30030-29200	Type plate until 05/96
17	30050-29100	Installation box
18	30050-29200	Installation box int. part
19	10010-72000	Screw B 3.5 x 9.5
20	30030-36000	Angle right, horizontal hole with horizontal bores
20	30030-13300	Angle right, vertical hole with vertical bores
20	30030-36100	Angle left, horizontal hole with horizontal bores (not visible)
20	30030-13400	Angle left, vertical hole with vertical bores (not visible)
21	30070-11500	Spring nut spring nut

TRUMA SPARES

TRUMATIC S5002 HEATER BODY



TRUMA SPARES

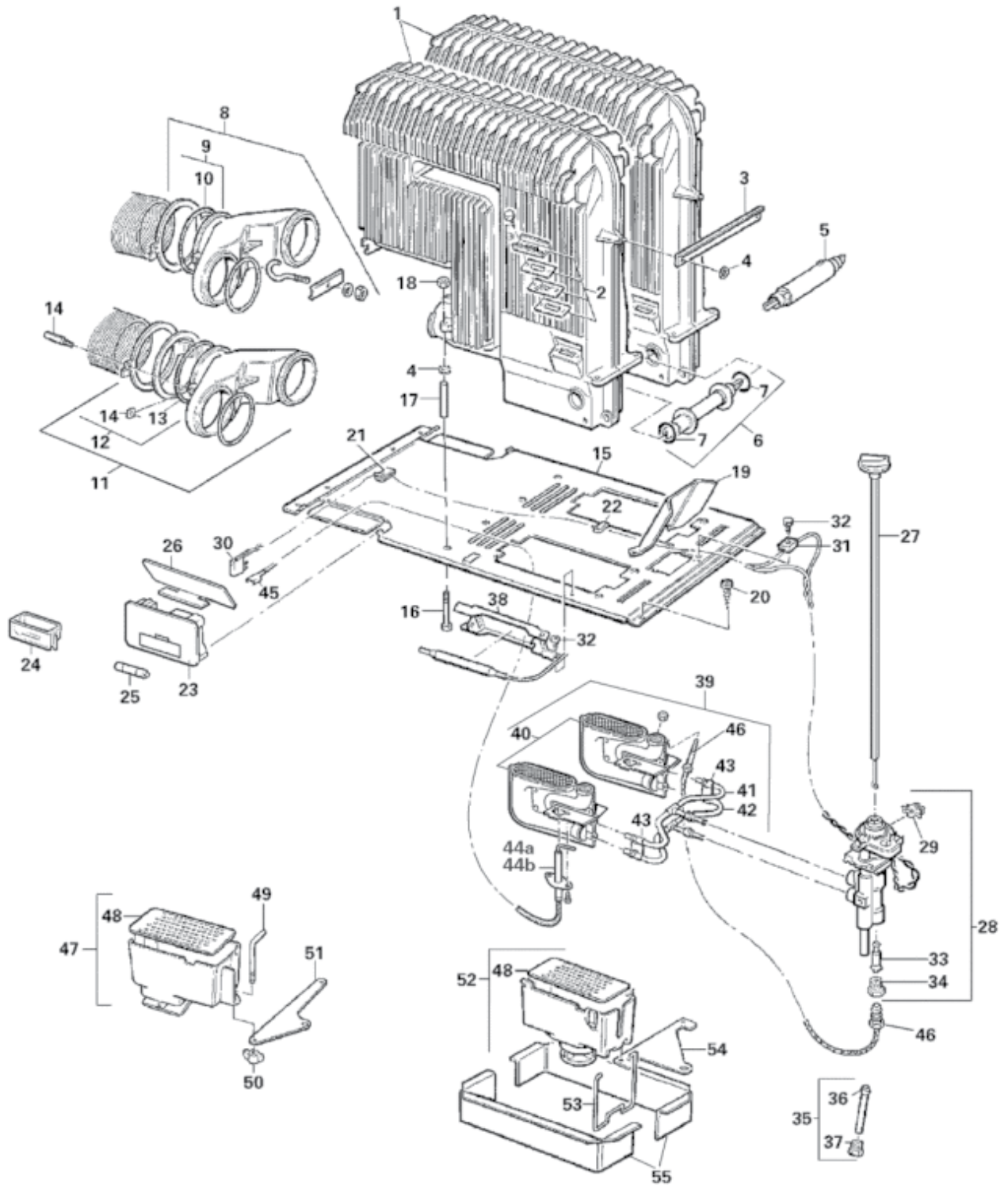
TRUMATIC S5002 HEATER BODY



Ref	Truma No.	Description
1	30050-32300	Heat exchanger set with ignition tube, exhaust collector and exhaust duct fitting
2	30030-42700	Mica window small 42 mm x 15 mm
3	30050-10500	Distance sheet
4	30010-19800	Starlock washer
5	30050-18700	Ignition pipe new
6	10030-23400	O-ring 16 x 2.5
7	30050-32400	Exhaust collector new with exhaust duct and collector fitting
8	10030-26500	O-ring 53 x 5
9	30050-33100	Exhaust duct fitting new
10	10010-86000	Screw M 5 x 20
11	30050-32600	Collector fitting
12	30050-23500	Floor base complete with screws
13	30030-17600	Screw M 5 x 52
14	30030-17700	Spacer tube 39 mm
15	10020-18000	Nut M 5
16	30030-15800	Heat deflector
17	10010-66200	Screw B 5.5 x 25
18	30030-18000	Cable clamp
19	30050-53000	Auto ignitor with adapter cable - without battery
19	30050-53500	Adapter cable auto ignitor for the use of new auto ignitors in appliances until 05/99 - not illustrated
20	30020-13300	Battery box for auto ignitors until 05/99
21	30030-99200	Battery Mignon 1.5 V
22	30030-16100	Heat deflector for ignitor
23	30050-00300	Control rod until 05/98
24	30050-53700	Control rod after 05/98
25	30040-40400	Control knob after 05/98
26	30050-58000	Safety pilot valve complete with adapter plug
27	30050-58100	Micro switch complete with adapter plug
27	30050-59200	Adapter plug for connection to auto ignitors with 2 batteries (not illustration)
28	30010-23400	Socket board 2-pin
29	30030-12200	Magnet inset mini
30	30030-12000	MS-nut for magnet inset
31	30030-03100	Feed pipe with double conical ring L 8 and male fitting until 05/99
32	30010-10900	Double conical ring L 8
33	30010-11000	Male fitting
34	30030-29800	Holder for heat detector
35	10010-64200	Screw B 3.5 x 6.5
36	30050-01800	Burner set 30 mbar complete with spark electrode, thermocouple and burner tubes
36	30050-01700	Burner set 50 mbar complete with spark electrode, thermocouple and burner tubes
37	30050-07900	Burner set 50 mbar screwed ignitor plug to order in addition (Part.-no. 30050-08600)
37	30050-07800	Burner set 30 mbar screwed ignitor plug to order in addition (Part.-no. 30050-08600)
38	30050-00800	Pilot tube set 30 mbar with double conical ring L 5 and male fitting
38	30050-00700	Pilot tube set 50 mbar with double conical ring L 5 and male fitting
39	30050-01000	Burner tube set 30 mbar with double conical ring L 5 and male fitting
39	30050-00900	Burner tube set 50 mbar with double conical ring L 5 and male fitting
40	30050-08900	Clamp sheet set
41	30050-0150	Spark electrode 55 cm crimped, for burner set until 08/04
41	30050-0860	Spark electrode 55 cm with screw screwed, for burner set from 08/04
42	30010-23500	Flat connector 2.8 mm
43	30050-13900	Thermocouple 25 cm with attachment nut
44	30030-04300	Extension complete with perforated plate and extension spring
45	30030-17500	Perforated plate
46	30030-28500	Extension spring
47	30030-04800	Air intake extension with 50 cm tube
48	30050-12600	Distance sheet until 05/99
48	30050-07700	Distance sheet after 05/99
49	30050-29000	Frame complete
x	30050-30500	Gas tube interior connection not illustrated
x	30050-43600	Accessory kit complete not illustrated

TRUMA SPARES

TRUMATIC SL5002 HEATER BODY



TRUMA SPARES

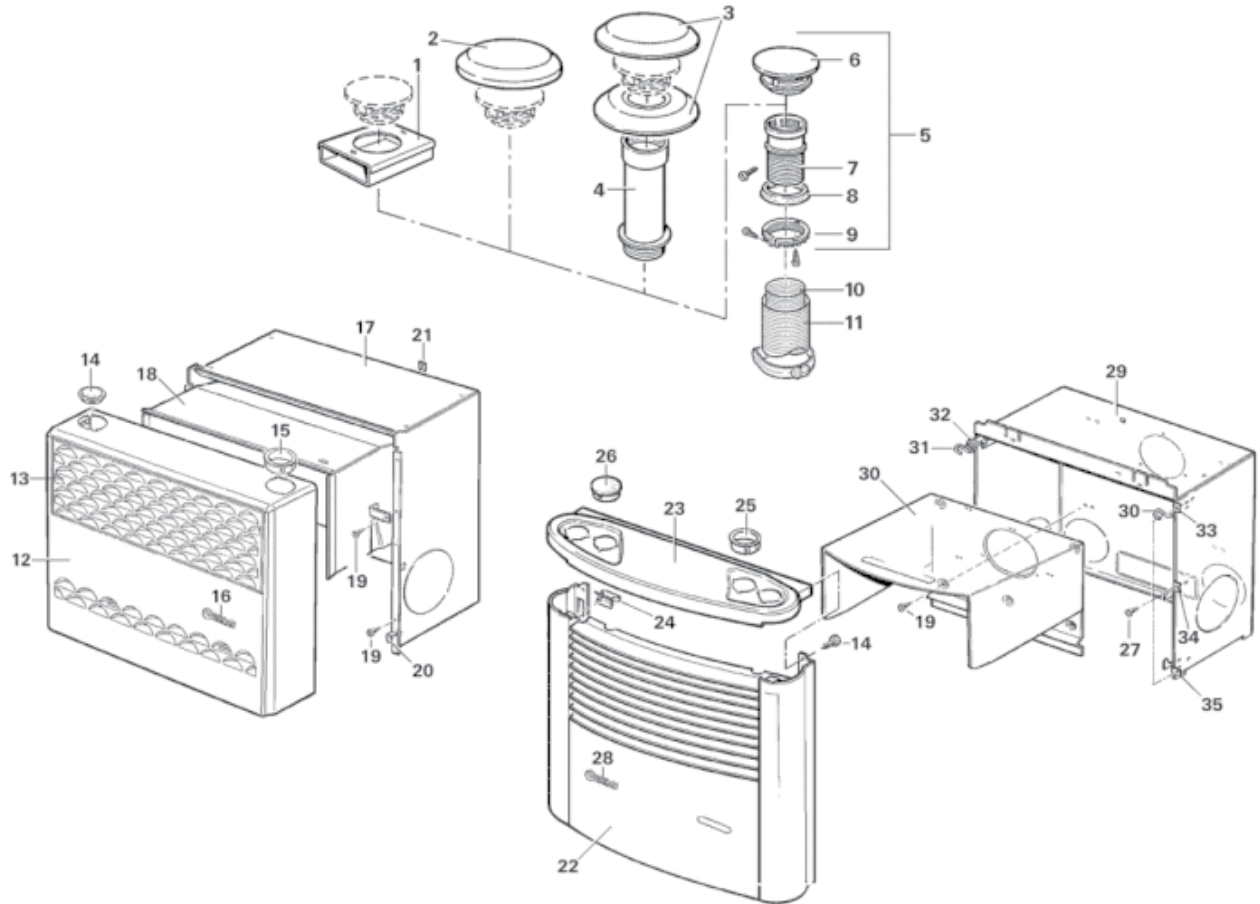
TRUMATIC SL5002 HEATER BODY



Ref	Truma No.	Description
1	30050-32300	Heat exchanger set with ignition tube, exhaust collector and exhaust duct fitting
2	30030-42700	Mica window small 42 mm x 15 mm
2	30030-02700	Mica window large 58 mm x 12 mm
3	30050-10500	Distance sheet
4	30010-19800	Starlock washer
5	30050-10600	Ignition pipe old until 11/88
5	30050-18700	Ignition pipe new after 11/88
7	10030-23400	O-ring 16 x 2.5
8	00000-00001	not available Exhaust collector old
9	30050-01400	Exhaust duct fitting old until 11/88 (see info page)
10	10030-25000	O-ring 53 x 5
11	30050-32400	Exhaust collector new with exhaust duct and collector fitting for heat exchanger with exhaust duct fitting new after 11/88
12	30050-03200	Exhaust duct fitting new after 11/88 (see info page)
13	10030-26500	O-ring 53 x 5
14	30050-03000	Square screw with nut
15	30050-10800	Floor base
16	30030-17600	Screw M 5 x 52
17	30030-17700	Spacer tube 39 mm
18	10020-18000	Nut M 5
19	30030-15800	Heat deflector
20	10010-66200	Screw B 5.5 x 25
21	30030-18000	Cable clamp
22	00000-00001	not available Cable clamp
23	30050-53000	Auto ignitor with adapter cable - without battery
23	30050-53500	Adapter cable auto ignitor for the use of new auto ignitors in appliances until 05/99 - not illustrated
24	30020-13300	Battery box for auto ignitors until 05/99
25	30030-99200	Battery Mignon 1.5 V
26	30030-16100	Heat deflector
27	30050-00300	Control rod new
27	00000-00001	not available ignition rod old with flexible shaft
28	30050-58000	Safety pilot valve complete with adapter plug (only to use with ignition rod new pos. 27)
29	30050-58100	Micro switch complete with adapter plug
29	30050-59200	Adapter plug for connection to auto ignitors with 2 batteries (not illustration)
30	30010-23400	Socket board 2-pin for ignitors until 05/99
31	30030-17900	Earthing clamp
32	10010-64200	Screw B 3.5 x 6.5
33	30030-12200	Magnet inset mini for magnet inset
34	30030-12000	MS-nut
35	30030-03100	Feed pipe with double conical ring L 8 and male fitting until 05/99
36	30010-10900	Double conical ring L8
37	30010-11000	Male fitting
38	30030-29800	Holder for heat detector
39	30050-01800	Burner set 30 mbar complete with spark electrode, thermocouple and burner tubes
39	30050-01700	Burner set 50 mbar complete with spark electrode, thermocouple and burner tubes
40	30050-07900	Burner set 50 mbar screwed ignitor plug to order in addition (Part.-no. 30050-08600)
40	30050-07800	Burner set 30 mbar screwed ignitor plug to order in addition (Part.-no. 30050-08600)
41	30050-00800	Pilot tube set 30 mbar with double conical ring L 5 and male fitting
41	30050-00700	Pilot tube set 50 mbar with double conical ring L 5 and male fitting
42	30050-01000	Burner tube set 30 mbar with double conical ring L 5 and male fitting
42	30050-00900	Burner tube set 50 mbar with double conical ring L 5 and male fitting
43	30050-08900	Clamp sheet set
44	30050-01500	Spark electrode 55 cm cramped, for burner set until 08/04
44	30050-08600	Spark electrode 55 cm with screw screwed, for burner set from 08/04
45	30010-23500	Flat connector 2.8 mm
46	30050-13900	Thermocouple 25 cm with attachment nut
47	30030-01000	Extension complete with perforated plate (see fabr. no. info page)
48	30030-17500	Perforated plate
49	30030-14200	Hook bolt for extension old until 11/88
50	30010-20000	Wing nut M5 for extension old until 11/88
51	30050-18900	Holding sheet for extension old until 11/88
52	§30030-04300	Extension complete with perforated plate and extension spring (see fabr. no. info page)
53	30030-28500	Extension spring for extension new after 12/88
54	30050-12600	Distance sheet for extension new after 12/88 until 05/99
54	30050-07700	Distance sheet for extension new until 05/99
55	30050-29000	Frame complete
x	30050-18200	Gas tube interior connection not illustrated

TRUMA SPARES

TRUMATIC S5002 CASE



TRUMA SPARES

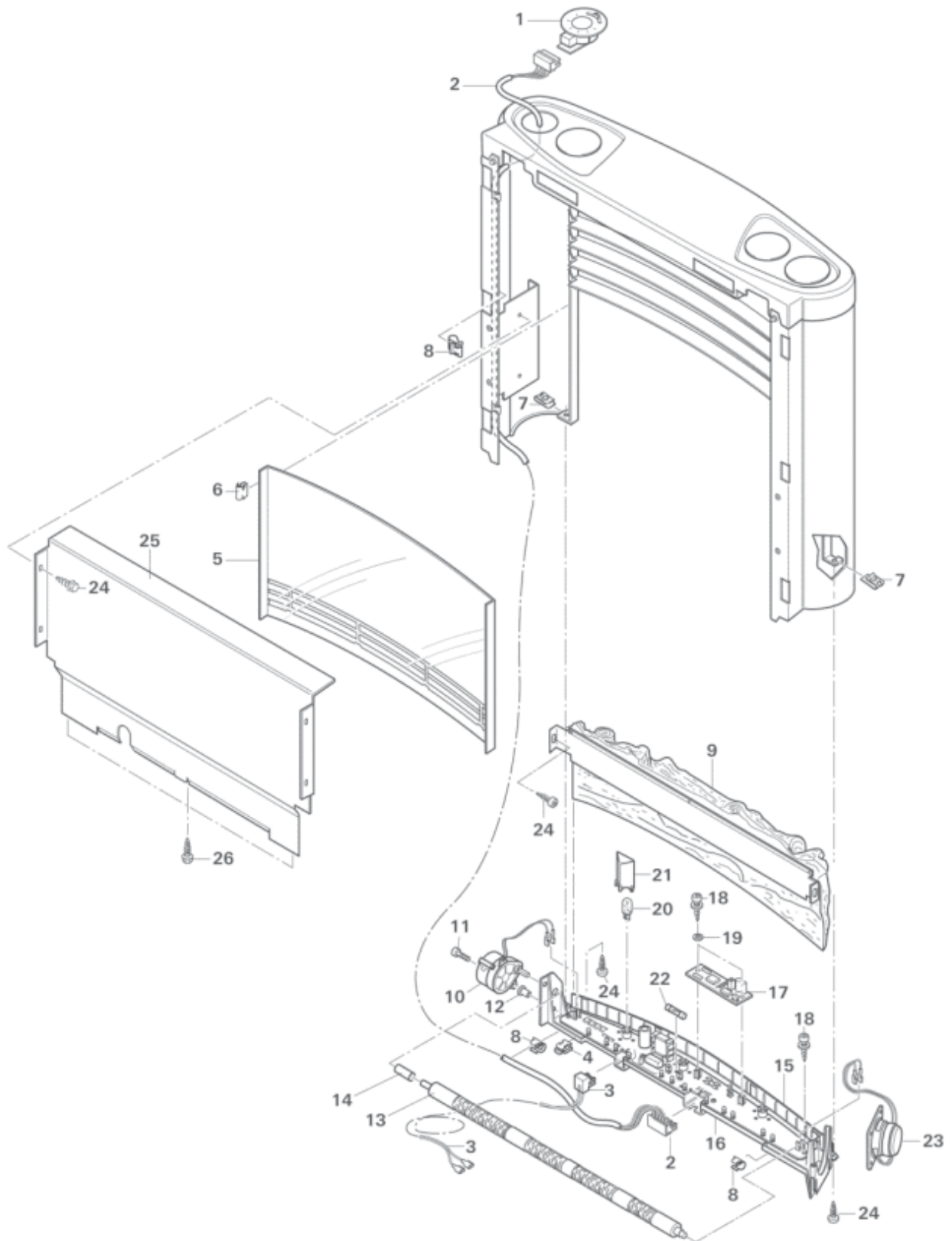
TRUMATIC S5002 CASE



Ref	Truma No.	Description
1	30700-01	Cowl top T-1
2	30700-02	Cowl top T-2
3	30700-03	Cowl top T-3
4	30010-20800	Cowl extension AKV, 15 cm
5	30651-01	Cowl AKL-5
6	30010-20900	Cowl roof
7	30050-19300	Cowl part AKL 5, 70 mm
8	30050-17800	Sealing ring for cowl
9	30050-17900	Screwing ring for cowl
10	30160-00	Exhaust duct AE-5-/65
11	40250-00	Insulating duct ÜR5
12	00000-00001	not available Front case sepia brown
13	00000-00001	not available Case grill with cover
14	30030-18800	Blank cover
15	30030-18700	Knob socket
16	30030-18200	Type plate after 05/96
16	30030-29200	Type plate until 05/96
17	30050-29100	Installation box
18	30050-29200	Installation box int. part
19	10010-72000	Screw B 3.5 x 9.5
20	30030-36000	Angle right, horizontal hole with horizontal bores
20	30030-13300	Angle right, vertical hole with vertical bores
20	30030-36100	Angle left, horizontal hole with horizontal bores (not visible)
20	30030-13400	Angle left, vertical hole with vertical bores (not visible)
21	30070-11500	Spring nut spring nut
22	30050-60200	Front case agate grey
22	30050-60100	Front case sepia brown
23	30050-52700	Cover black brown
24	39010-57000	U-clip
25	30040-60700	Knob socket
26	30040-60900	Blank cover 52 mm
27	10010-68000	Screw PVZ 3 x 12
28	30040-36500	Type plate for front case sepia brown
28	30040-35000	Type plate for front case agate grey
29	30050-52100	Installation box
29	30050-52200	Installation box for 2 fans not illustrated
30	30050-51100	Installation box int. part
30	30050-51300	Installation box for 2 fans int. Part not illustrated
31	30040-60000	Retaining spring
32	30040-60500	Support plate top left
33	30040-60600	Support plate top right
34	30040-60400	Fastening bracket - middle right
34	30040-60300	Fastening bracket - middle left not illustrated
35	30040-60200	Angle bottom right
35	30040-60100	Angle bottom left not illustrated

TRUMA SPARES

TRUMATIC S5002 FLAME



TRUMA SPARES

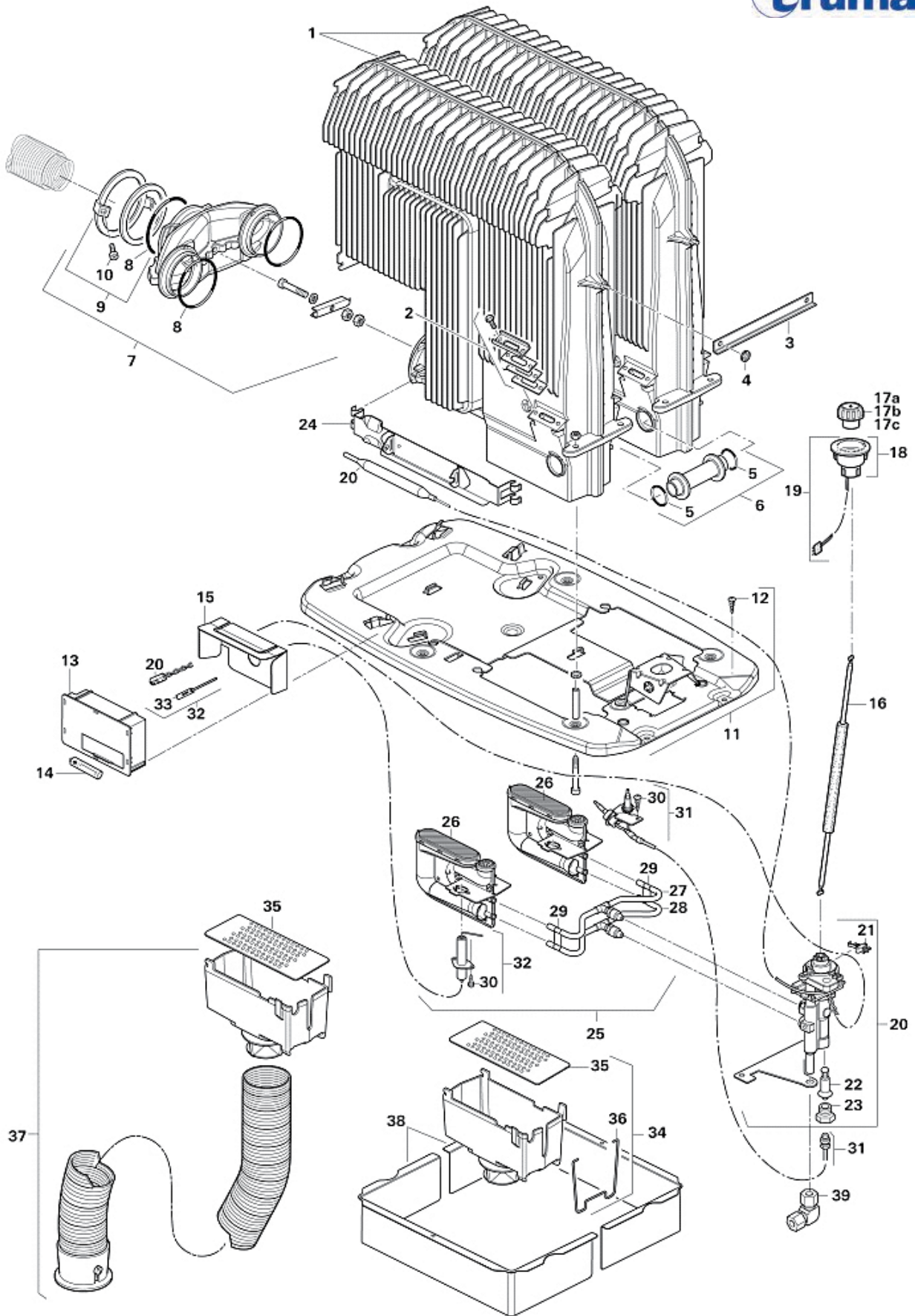
TRUMATIC S5002 FLAME



Ref	Truma No.	Description
1	30050-67300	Control panel flame effect
2	40000-45000	Control panel cable 0.9 m
3	30050-63300	Cable 12 V 1.5 m
4	30050-69500	Cable clip
5	30050-70000	Front window complete with grill
6	30080-43400	U-clip
7	30050-63400	Sheet nut 3.5
8	30050-63200	Cable clamp
9	30050-66800	Wood fire imitation complete with screen (until Fabr.Nr SKFH-15340001 repairs only possible in the factory)
10	30050-65100	Motor with gear box 12 V
11	10010-12100	Screw M 3 x 12
12	30050-68200	Flex-loc element M 3
13	30050-68300	Profiled shaft
14	30050-69900	Spacer hose
15	30050-68700	Support
16	30050-70600	Electronic flame effect with acoustics
16	30050-68400	Electronic flame effect without a.without acoustics (not with Electronic acoustics Pos .17
17	30050-63800	Electronic acoustics only for spare until 02/05
18	10010-89000	PT-screw 3 x 10 with washer
19	30050-69400	Washer M 3
20	30050-70100	Lamp 12 V, 2 W
21	30050-66200	Shielding
22	70000-28900	Fuse 1.25 AT
23	30050-66100	Loudspeaker
24	10010-64500	Screw B 3.5 x 9.5
25	30050-67900	Shielding plate
26	10010-40400	PT-screw KB 40 x 10

TRUMA SPARES

TRUMATIC S5004 FIRE PARTS



TRUMA SPARES

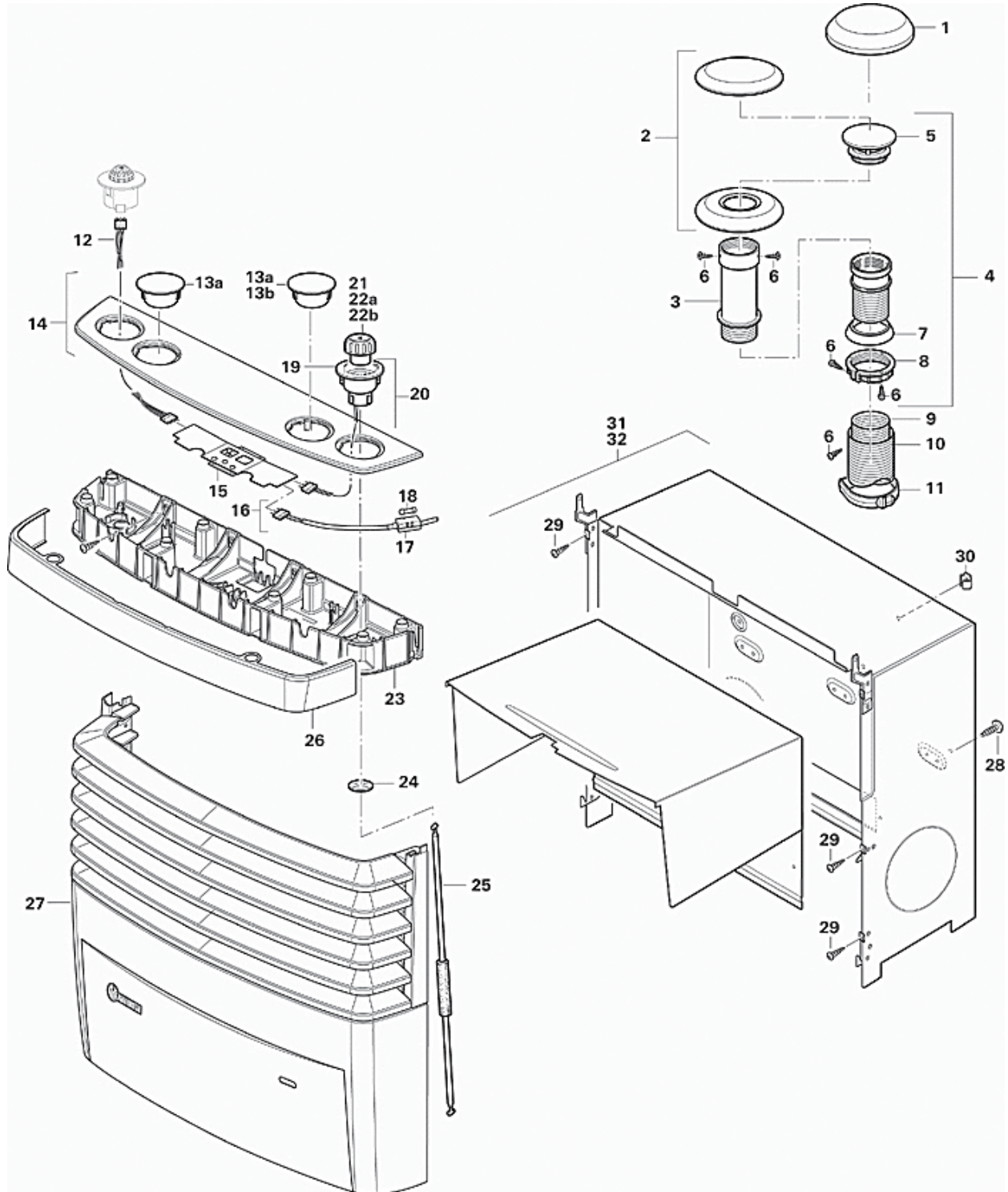
TRUMATIC S5004 FIRE PARTS



Position	Part no	Description
1	30050-32300	Heat exchanger set
2	30030-42700	Mica window small
3	30050-10500	Distance sheet
4	30010-19800	Starlock washer
5	10030-23400	Oring 16 x 2.5
6	30050-18700	Ignition pipe
7	30050-32400	Exhaust collector, c/w duct and collector fitting
8	10030-26500	Oring 52 x 5
9	30050-33100	Exhaust fitting
10	10010-86000	Screw m5 x 20
11	30090-90000	Base plate
12	10010-66200	Screw b 5.5 X 25
13	30050-53000	Auto ignitor with cable but no battery
14	30030-99200	Battery mignon 1.5V
15	30090-16400	Auto ignitor heat shield
16	30090-41900	Gas control rod
17A	30090-90400	Gas control knob standard
17B	30090-90500	Gas control knob illumination
17C	30090-98800	Gas control knob chrome
18	30090-90600	Gas control knob surround
19	30090-16200	Gas control knob surround
20	30090-90800	S3004/s5004 gas valve
21	30050-58100	Micro switch c/w adapter plug
22	30030-12200	Magnet inset mimi
23	30030-12000	M5 nut for magnet inset
24	30090-09900	Thermostat holder
25	30090-91000	Burner set 30mbar
26	30090-94800	Burner set
27	30050-00800	Ign burner tube 30mbar
28	30050-01000	Burner tube 30mbar
29	30050-08900	Clamp sheet kit lh and rh
30	10010-71300	Screw b 2.9 X 9.5 Torx
31	30090-91300	Thermoelement
32	30090-91200	Thermoelement
33	30010-23500	Flat plug socket 2.8Mm
34	30030-04300	Extension cpl
35	30030-17500	Perforated plate
36	30030-28500	Extension spring
37	30030-04800	Intake extension cpl
38	30050-29000	Frame cpl
39	10170-00	Elbow union w8 for gas pipe

TRUMA SPARES

S5004 FIRE CASING AND COVER - STANDARD



TRUMA SPARES

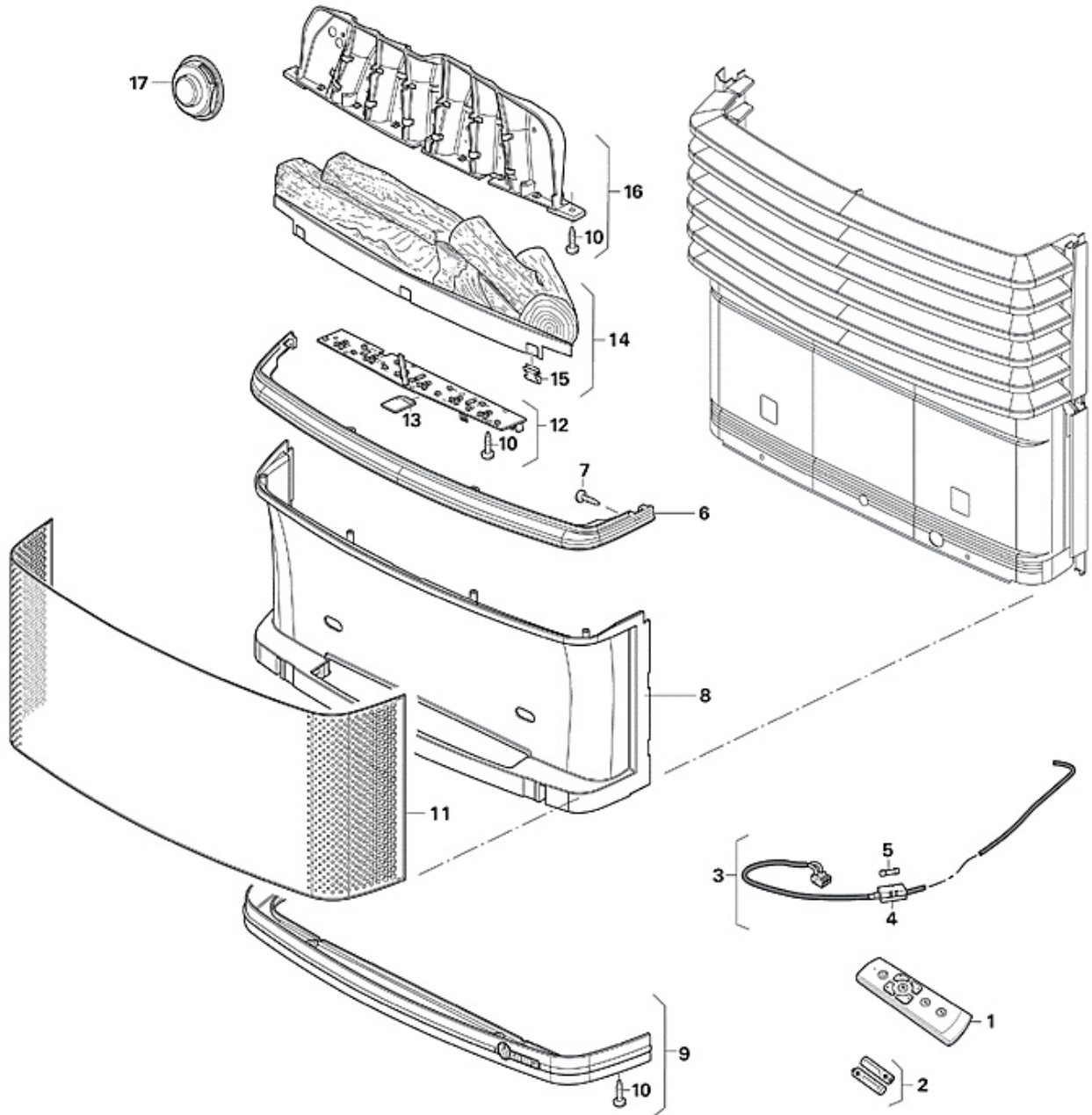
S5004 FIRE CASING AND COVER - STANDARD



Position	Part no	Description
1	30700-02	Cowl top T2
2	30700-03	Cowl top T3
3	30010-20800	Cowl extension AKV 15cm
4	30651-01	Roof flue AKL5 70mm Dia
5	30010-20900	Cowl roof
6	10010-72500	Screw B3.5 x 16
7	30050-17800	Cowl sealing ring
8	30050-17900	Screw ring for cowl
9	30160-01	AE5 Exhaust duct per mtr
10	40250-00	Insulating duct UR5 per mtr
11	40261-01	Clip US-5 75mm
12	30090-93000	Sensor cable
13a	30090-93100	Blanking plug standard
13b	30090-44700	Blanking plug Ultraheat
14	30090-93200	Front case top shelf
15	30090-93300	Illuminator sensor plate
16	30090-38100	Illuminator power cable
17	30090-44400	Fuse holder
18	30090-44300	3AMP Fuse
19	30090-90600	Gas control knob surround
20	30090-16200	Gas control knob surround
21	30090-90400	Gas control knob standard
22a	30090-90500	Gas control illumination
22b	30090-98800	Gas control knob chrome
23	30090-93500	Front case top housing
24	30090-93700	Control rod grommet
25	30090-41900	Gas control rod
26	30090-93800	Front case top cover Titan Grey
27	30090-93900	Front case top cover Perl Grey
27	30090-94300	Front case main panel Perl grey chrome
27	30090-94200	Front case main panel Titan grey chrome
27	30090-94100	Front case main panel Perl grey
27	30090-94000	Front case main panel Titan grey
28	10010-72000	Screw B 3.5 x 7.5
29	10010-68000	Screw PVZ3 x 12
30	30070-11500	Spring nut
31	30090-94400	Installation tin
32	30090-94600	Installation tin

TRUMA SPARES

S5004 FIRE CASING AND COVER - FLAME EFFECT



TRUMA SPARES

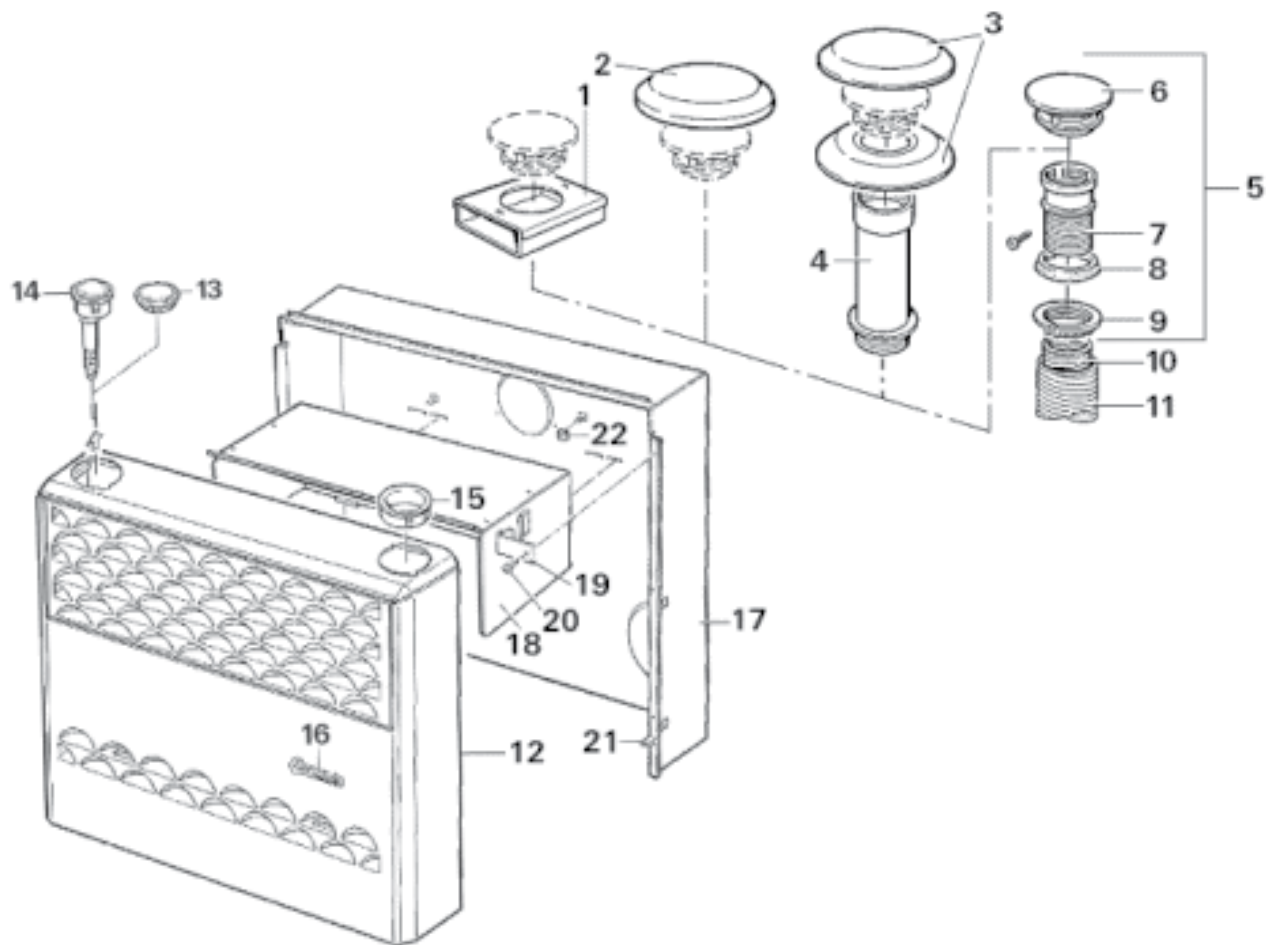
S5004 FIRE CASING AND COVER - FLAME EFFECT



Position	Part no	Description
1	30090-96100	Control Handset
2	40040-19500	AAA Battery x 2
3	30090-67000	Power cable c/w fuse
4	30090-44400	Fuse holder
5	30090-44300	3AMP Fuse
6	30090-96300	Top securing frame
7	10010-80200	Screw K 35 x 8
8	30090-98000	Flame effect rear panel
9	30090-96600	Bottom securing frame
10	10010-82300	Screw K 35 x 12
11	30090-96500	Front panel
12	30090-97200	Flame effect electronics
13	30090-45100	Memory card
14	30090-96800	Log effect panel
15	30090-51800	Holding clamp
16	30090-97000	Flame display
17	30090-97400	Speaker unit

TRUMA SPARES

TRUMATIC SL3002 CASE



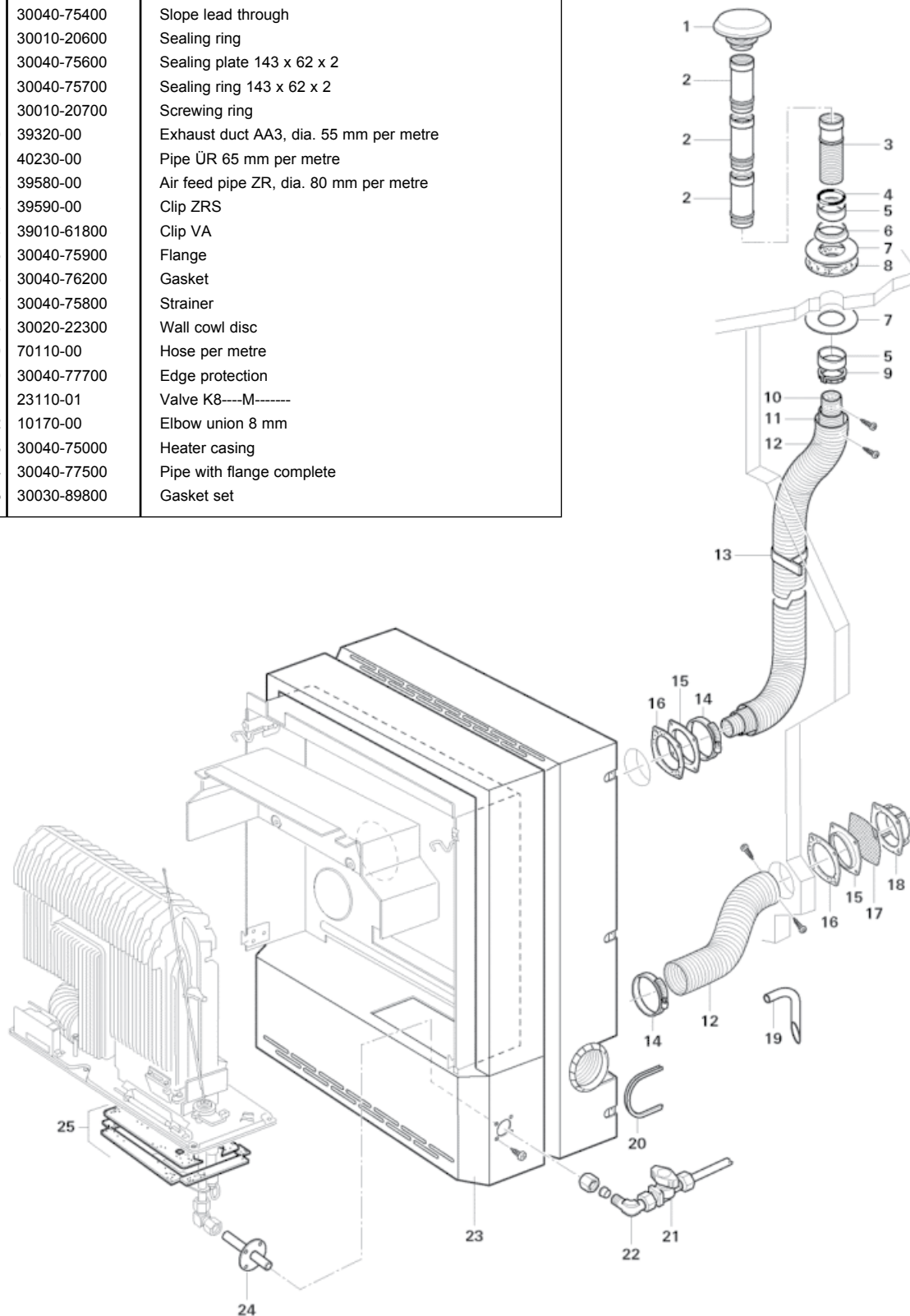
Ref	Truma No.	Description
1	30700-01	Cowl top T-1
2	30700-02	Cowl top T-2
3	30700-03	Cowl top T-3
4	30010-20800	Cowl extension AKV, 15 cm
5	30630-01	Cowl AK-3/60
6	30010-20900	Cowl roof
7	30010-20500	Cowl part
8	30010-20600	Sealing ring
9	30010-20700	Screwing ring
10	30140-00	Exhaust duct AE-3-/55 per metre
11	40230-00	Pipe ÜR 65 mmper metre
12	00000-00001	not available Front case brown
13	30030-18800	Blank cover
14	30030-00300	Piezo ignitor
15	30030-18700	Knob socket
16	30030-29200	Type plate
17	30030-28800	Installation box complete
18	30030-29700	Installation box int. part
19	30030-04900	Set supports for installation box interior part
20	10010-70800	Screw B 2.9 x 9.5
21	30030-36000	Angle right, horizontal hole with horizontal bores
21	30030-13300	Angle right, vertical hole with vertical bores
21	30030-36100	Angle left, horizontal hole with horizontal bores - not visible
21	30030-13400	Angle left, vertical hole with vertical bores - not visible
22	30070-11500	Spring nut spring nut

TRUMA SPARES

TRUMATIC S3002/S3002P DUCTING & INSTALLATION BOX

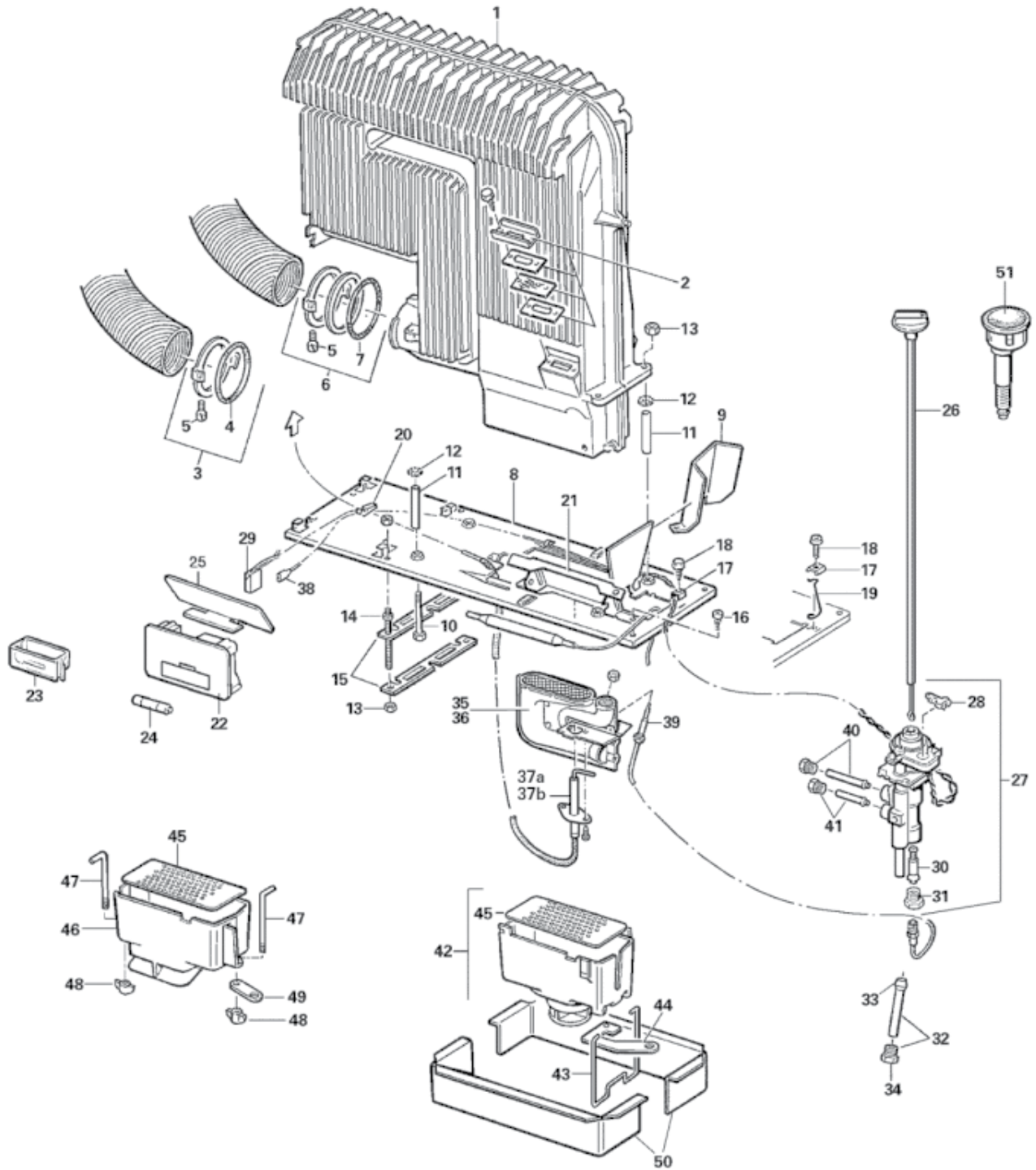


Ref	Truma No.	Description
1	30710-00	Cowl roof KDR
2	30010-20800	Cowl extension AKV, 15 cm
3	30010-20500	Cowl part
4	40060-52100	O-ring 59,6 x 2,4
5	30040-75400	Slope lead through
6	30010-20600	Sealing ring
7	30040-75600	Sealing plate 143 x 62 x 2
8	30040-75700	Sealing ring 143 x 62 x 2
9	30010-20700	Screwing ring
10	39320-00	Exhaust duct AA3, dia. 55 mm per metre
11	40230-00	Pipe ÜR 65 mm per metre
12	39580-00	Air feed pipe ZR, dia. 80 mm per metre
13	39590-00	Clip ZRS
14	39010-61800	Clip VA
15	30040-75900	Flange
16	30040-76200	Gasket
17	30040-75800	Strainer
18	30020-22300	Wall cowl disc
19	70110-00	Hose per metre
20	30040-77700	Edge protection
21	23110-01	Valve K8----M-----
22	10170-00	Elbow union 8 mm
23	30040-75000	Heater casing
24	30040-77500	Pipe with flange complete
25	30030-89800	Gasket set



TRUMA SPARES

TRUMATIC SL3002 HEATER BODY



TRUMA SPARES

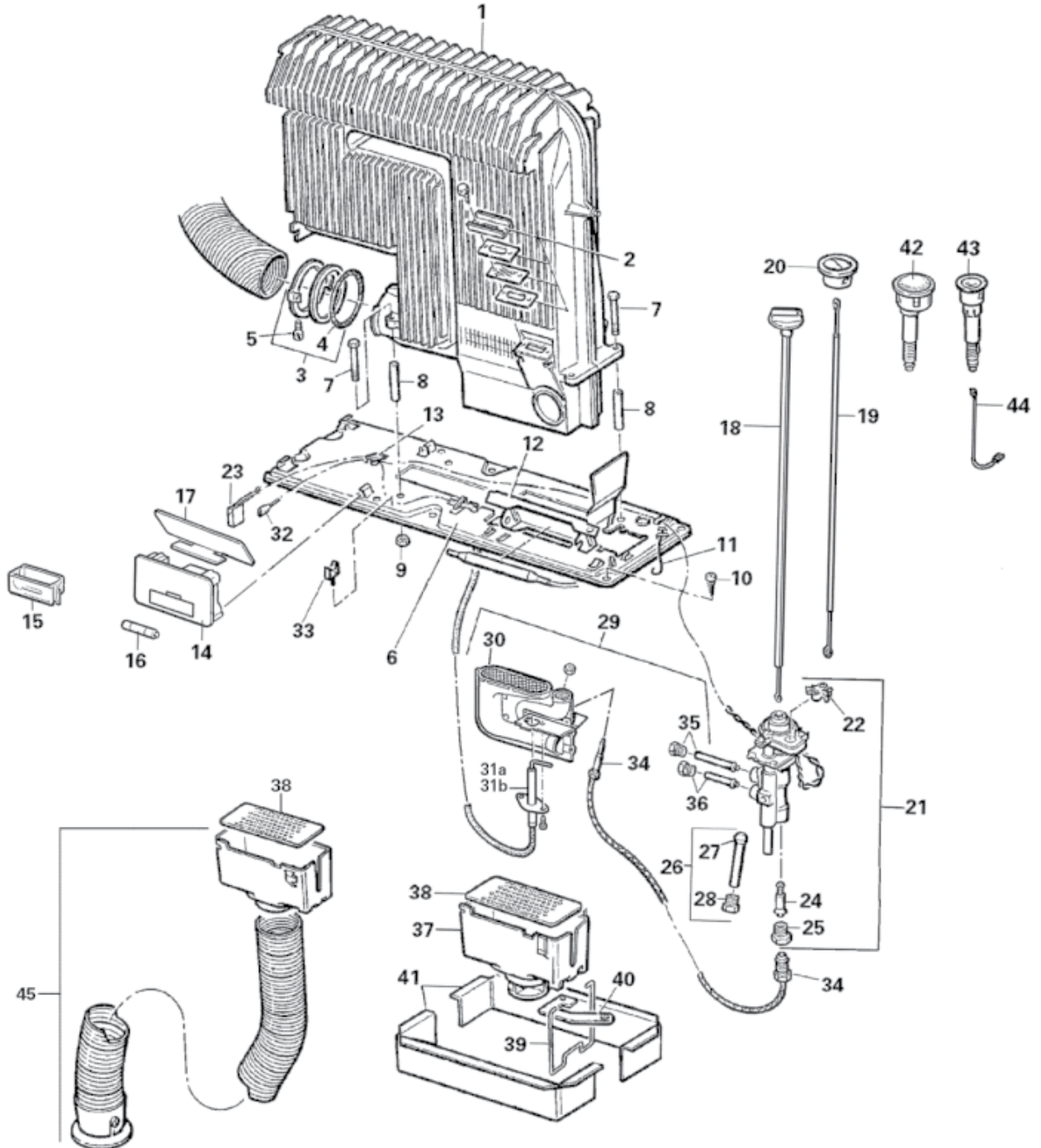
TRUMATIC SL3002 HEATER BODY



Ref	Truma No.	Description
1	30030-89400	Heat exchanger complete complete with exhaust duct fitting
2	30030-42700	Mica window small 42 x 15 mm
2	30030-02700	Mica window large 58 x 12 mm
3	30030-02800	Exhaust duct fitting old until 10/86, see info page
4	10030-25000	O-ring 35 x 5 for old exhaust duct fitting
5	10010-84500	Screw M 5 x 16
6	30030-03600	Exhaust duct fitting complete new after 10/86 see info page
7	10030-26500	O-ring 53 x 5 for new exhaust duct fitting
8	30030-33300	Floor base complete with screws
9	30030-15800	Heat deflector until 05/91
10	30030-17600	Screw M 5 x 52
11	30030-17700	Spacer tube 39 mm
12	30010-19800	Starlock washer
13	10020-18000	Nut M 5
14	30010-20100	Floor screw
15	30010-20200	Fixing stripe
16	10010-66200	Screw B 5.5 x 25
17	30030-17900	Earthing clamp
18	10010-64200	Screw B 3.5 x 6.5
19	30030-16300	Earthing spring only piézo
20	30030-18000	Cable clamp
21	30030-29800	Holder for heat detector
22	30050-53000	Auto ignitor with adapter Cable - without battery
22	30050-53500	Adapter cable auto ignitor for the use of new auto ignitors in old appliances until 05/99 - not illustrated
23	30020-13300	Battery box for auto ignitor until 05/99
24	30030-99200	Battery Mignon 1.5 V
25	30030-16100	Heat deflector
26	30030-01300	Control rod new
26	00000-00001	not available Ignition rod old with flexible shaft
27	30050-58000	Safety pilot valve complete complete with adapter plug (only to use with ignition rod new pos. 26)
28	30050-58100	Micro switch complete with adapter plug
28	30050-59200	Adapter plug for connection to auto ignitors with 2 batteries (not illustrated)
29	30010-23400	Socket board 2-pin for auto ignitor until 05/99
30	30030-12200	Magnet inset mini
31	30030-12000	MS-nut for magnet inset
32	30030-03100	Feed pipewith double conical ring L 8 and male fitting, until 05/99
33	30010-10900	Double cinical ring L8
34	30010-11000	Male fitting
35	30030-04000	Burner complete S 32 P, 30 mbar for piezo with spark electrode 95 cm long, thermocouple and burner tubes
35	30030-03900	Burner complete S 32 P, 50 mbar for piezo with spark electrode 95 cm long, thermocouple and burner tubes
35	30030-02000	Burner complete S 32, 30 mb with spark electrode 45 cm long, thermocouple and burner tubes
35	30030-01900	Burner complete S 32, 50 mb with spark electrode 45 cm long, thermocouple and burner tubes
36	30040-18600	Burner 30 mbar screwed ignitor plug to order in addition
36	30040-18700	Burner 50 mbar screwed ignitor plug to order in addition
37	30030-03000	Spark electrode 95 cm geklemmt, für Piezo, für Schalenbrenner bis Bj. 08/04
37	30030-02900	Spark electrode 45 cm geklemmt, für automatik, für Schalenbrenner bis Bj. 08/04
37	30040-65800	Spark electrode 45 cm with screwgeschraubt, für automatik, für Schalenbrenner ab Bj. 08/04
37	30030-27300	Spark electrode 95 cm with screwgeschraubt, für Piezo, für Schalenbrenner ab Bj. 08/04
38	30010-23500	Flat connector 2.8 mm
39	30050-13900	Thermocouple 25 cm with attachment nut
40	30030-02300	Pilot tube 50 mb with double conical ring L 8 and male fitting
40	30030-02400	Pilot tube 30 mb with double conical ring L 8 and male fitting
41	30030-02200	Burner tube 30 mbar details like part no. 30030-02400
41	30030-02100	Burner tube 50 mbar details like part no. 30030-02300
42	30030-04300	Extension complete with perforated plate and extension spring after 12/88 (see fabr.-no. info page)
43	30030-28500	Extension spring after 12/88
44	30040-22000	Distance sheet after 05/99
44	30030-19400	Distance sheet after 12/88 until 05/99
45	30030-17500	Perforated plate
46	30030-01000	Extension old complete with perforated plate until 11/88 (see fabr.-no. info page)
47	30030-14200	Hook bolt until 11/88
48	30010-20000	Wing nut M5 until 11/88
49	30030-28900	Distance sheet old until 11/88
50	30030-16400	Frame complete
51	30030-00300	Piezo ignitor
x	0000-00001	not available Gas line interior conn. (not illustrated)x

TRUMA SPARES

TRUMATIC S3002/S3002P HEATER BODY



TRUMA SPARES

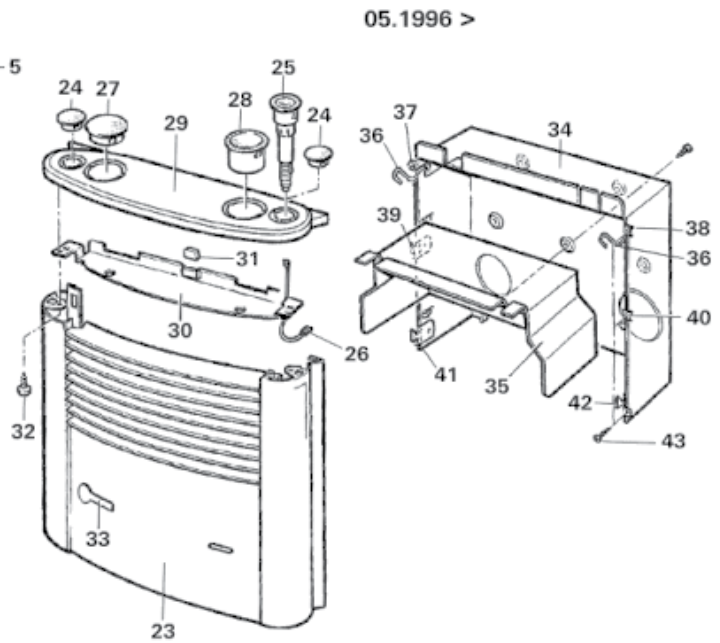
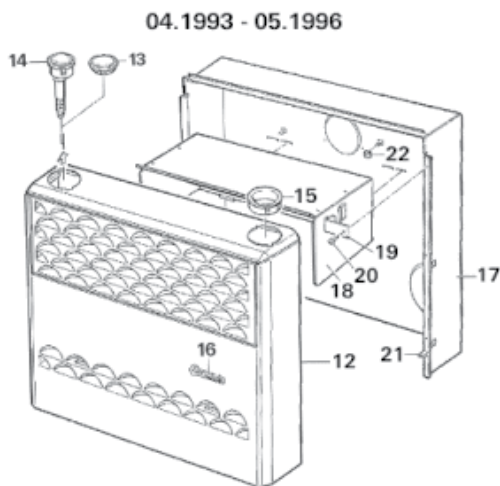
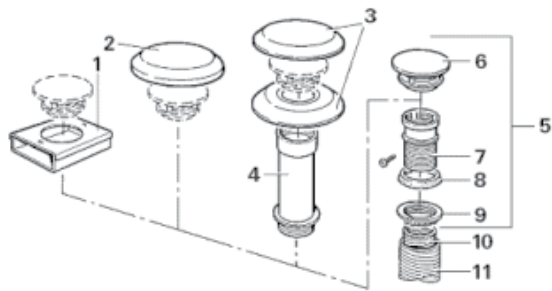
**TRUMATIC S3002/S3002P HEATER BODY
FROM APRIL 1993**



Ref	Truma No.	Description
1	30030-89400	Heat exchanger complete,with exhaust duct fitting
2	30030-42700	Mica window small,42 mm x 15 mm
3	30030-03600	Exhaust duct fitting complete
4	10030-26500	O-ring 53 x 5
5	10010-84500	Screw M 5 x 16
6	30030-33300	Floor base complete,with screws
7	30030-85300	Screw M 5 x 55
8	30030-85400	Spacer tube 8 x 1
9	10020-18200	Nut M 5 selflocking
10	10010-66200	Screw B 5.5 x 25
11	30030-85700	Earth spring,only S 3002 P
12	30030-29800	Holder for heat detector
13	30030-29300	Edge protection
14	30050-53000	Auto ignitor,with adapter kabel - without battery
14	30050-53500	Adapter cable auto ignitor,for the use of new auto ignitors in old appliances until 05/99 - not illustrated
15	30020-13300	Battery box,for auto ignitor until 05/99
16	30030-99200	Battery Mignon 1.5 V
17	30030-16100	Heat deflector
18	30030-01300	Control rod,until 05/96
19	30040-13600	Control rod,after 05/96
20	30040-40400	Control knob,after 05/96
21	30050-58000	Safety pilot valve complete,complete with adapter plug
22	30050-58100	Micro switch,complete with adapter plug
22	30050-59200	Adapter plug,for connection to auto ignitors with 2 batteries (not illustrated)
23	30010-23400	Socket board 2-pin,black
24	30030-12200	Magnet inset mini
25	30030-12000	MS-nut,;for magnet inset
26	30030-03100	Feed pipe,with double conical ring L 8 and male fitting until 05/99
27	30010-10900	Double cinical ring L8
28	30010-11000	Male fitting
29	30040-64600	Burner comp. S 32 P, 30 mbar,for piezo (with new front case) with spark electrode 75 cm, thermocouple and burner tubes
29	30040-64700	Burner comp. S 32 P, 50 mbar,for piezo (with new front case) with spark electrode 75 cm, thermocouple and burner tubes
29	30030-04000	Burner comp. S 32 P, 30 mbar,for piezo (with old front case) with spark electrode 95 cm long, thermocouple and burner tubes
29	30030-03900	Burner comp. S 32 P, 50 mbar,for piezo (with old front case) with spark electrode 95 cm long, thermocouple and burner tubes
29	30030-02000	Burner comp. S 32, 30 mb,with spark electrode 45 cm long,thermocouple and burner tubes
29	30030-01900	Burner comp. S 32, 50 mb,with spark electrode 45 cm long,thermocouple and burner tubes
30	30040-18600	Burner 30 mbar,screwed ignitor plug to order in addition
30	30040-18700	Burner 50 mbar,screwed ignitor plug to order in addition
31A	30040-64500	Spark electrode 75 cm,piezo, for appliances with front case in new design
31A	30030-03000	Spark electrode 95 cm,piezo, for appliances with front case in old design
31A	30030-02900	Spark electrode 45 cm,geklemmt, für automatik, Schalenbrenner bis Bj. 08/05
31B	30040-65900	Spark electrode 75 cm with screw,piezo, for appliances with front case in new design
31B	30040-65800	Spark electrode 45 cm with screw,geschraubt, für automatik, für Schalenbrenner ab Bj. 08/05
31B	30030-27300	Spark electrode 95 cm with screw,piezo, for appliances with front case in old design
32	30010-23500	Flat connector 2.8 mm
33	30030-84000	Mini cable holder
34	30050-13900	Thermocouple 25 cm with attachment nut
35	30030-02300	Pilot tube 50 mb with double conical ring L 5 and male fitting
35	30030-02400	Pilot tube 30 mb,with double conical ring L 5 and male fitting
36	30030-02200	Burner tube 30 mbar,details like part no. 30030-02400
36	30030-02100	Burner tube 50 mbar,details like part no. 30030-02300
37	30030-04300	Extension complete,with perforated plate and extension spring
38	30030-17500	Perforated plate
39	30030-28500	Extension spring
40	30030-19400	Distance sheet,until 05/99
40	30040-22000	Distance sheet,after 05/99
41	30030-16400	Frame complete
42	30030-00300	Piezo ignitor,for appliances with front case in old design
43	30040-62900	Piezo ignitorfor appliances with front case in new design
44	30040-64000	Earth cable
45	30030-04800	Air intake extension,with 50 cm tube;;
x	30030-85500	Gas tube interior connection right,not illustrated
x	30030-85600	Gas tube interior connection left,not illustrated
x	30040-40200	Accessory kit complete,for s 3002 with new front case - not illustrated
x	30040-61600	Accessory kit complete,for s 3002 P with new front case - not illustrated

TRUMA SPARES

TRUMATIC S3002/S3002P FLUE DUCTING & FRONT CASE



TRUMA SPARES

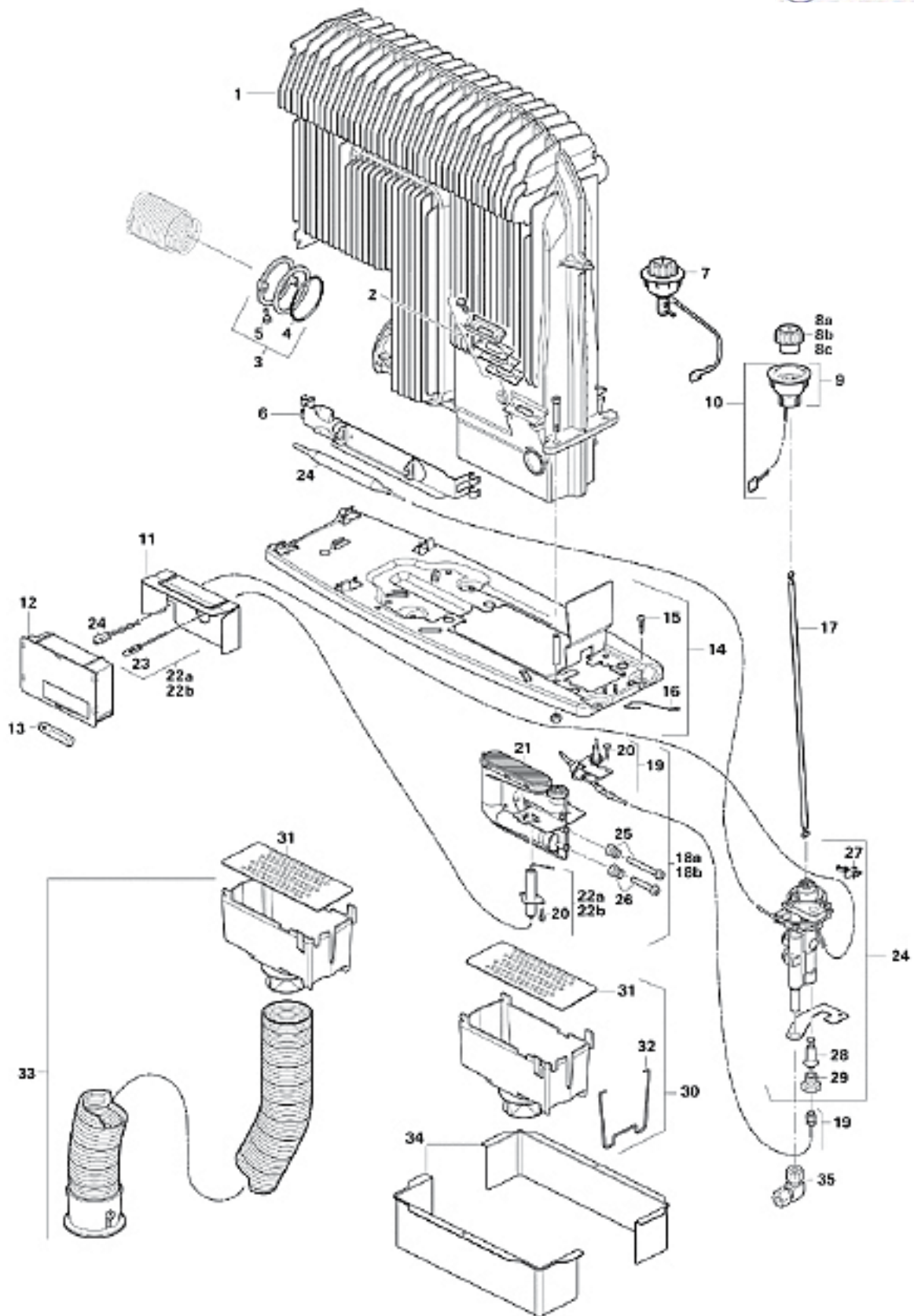
TRUMATIC S3002/S3002P FLUE DUCTING & FRONT CASE



Ref	Truma No.	Description
1	30700-01	COWL TOP T-1
2	30700-02	COWL TOP T-2
3	30700-03	COWL TOP T-3
4	30010-20800	COWL EXTENSION AKV, 15 CM
5	30630-01	COWL AK-3/60
6	30010-20900	COWL ROOF
7	30010-20500	COWL PART
8	30010-20600	SEALING RING
9	30010-20700	SCREWING RING
10	30140-00	EXHAUST DUCT AE-3-/55 PER METRE
11	40230-00	PIPE UR 65MM PER METRE
12	00000-00001	NOT AVAILABLE FRONT CASE BROWN
13	30030-18800	BLANK COVER
14	30030-00300	PIEZO IGNITOR
15	30030-18700	KNOB SOCKET
16	30030-29200	TYPE PLATE
17	30030-28800	INSTALLATION BOX COMPLETE
18	30030-29700	INSTALLATION BOX INT. PART
19	30030-04900	SET SUPPORTS FOR INSTALLATION BOX INTERIOR PART
20	10010-70800	SCREW B 2.9 X 9.5
21	30030-36000	ANGLE RIGHT, HORIZONTAL HOLE FOR HORIZONTAL BORES
21	30030-13300	ANGLE RIGHT, VERTICAL HOLE WITH VERTICAL BORES
21	30030-36100	ANGLE LEFT, HORIZONTAL HOLE WITH HORIZONTAL BORES - NOT VISABLE
21	30030-13400	ANGLE LEFT, VERTICAL HOLE WITH VERTICAL BORES - NOT VISABLE
22	30070-11500	SPRING NUT
23	30040-50200	FRONT CASE AGATE GREY
23	30040-50100	FRONT CASE SEPIA BROWN
24	30040-64900	BLANK COVER 35MM (ULTRAHEAT)
24	30040-60800	BLANK COVER 35MM
25	30040-62900	PIEZO IGNITOR
26	30040-64000	EARTH CABLE
27	30040-60900	BLANK COVER 52MM
28	30040-60700	KNOB SOCKET
29	30040-63000	COVER (BLACK BROWN)
29	30040-63300	COVER (LIGHT GREY)
30	30040-61200	HEAT SCREEN
31	30040-14900	DAMPER
32	10010-40000	PT-SCREW S 50 X 16
33	30040-36500	TYPE PLATE FOR FRONT CASE SEPIA BROWN
33	30040-35000	TYPE PLATE FOR FRONT CASE AGATE GREY
34	30040-16800	INSTALLATION BOX COMPLETE
35	30040-61100	INSTALLATION BOX INT. PART
36	30040-60000	RETAINING SPRING
37	30040-60500	SUPPORT PLATE TOP LEFT
38	30040-60600	SUPPORT PLATE TOP RIGHT
39	30040-60300	FASTENING BRACKET - MIDDLE LEFT
40	30040-60400	FASTENING BRACKET - MIDDLE RIGHT
41	30040-60100	ANGLE BOTTOM LEFT
42	30040-60200	ANGLE BOTTOM RIGHT
43	10010-68000	SCREW PVZ 3 X 12

TRUMA SPARES

S3004 (P) FIRE PARTS



TRUMA SPARES

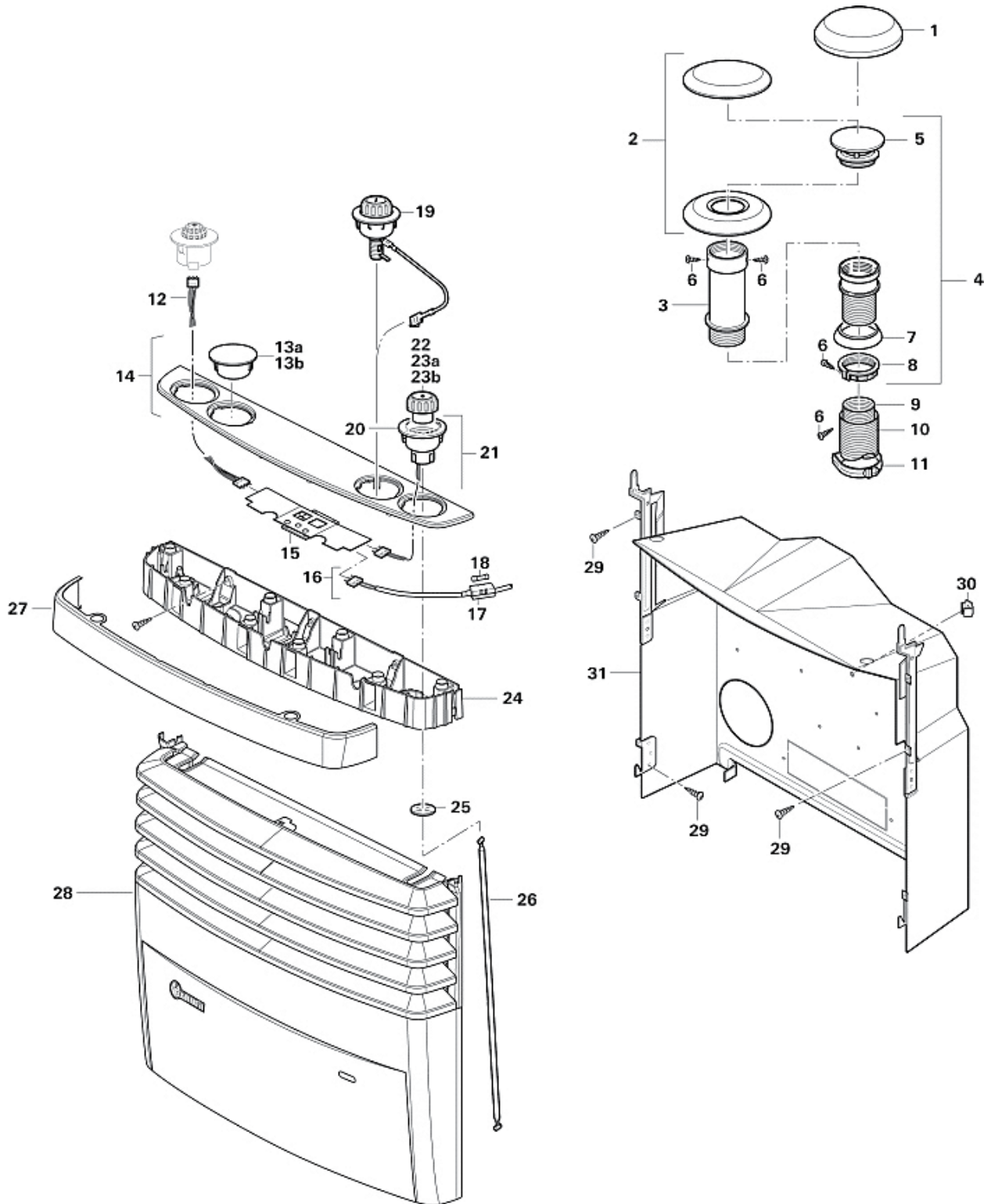
S3004 (P) FIRE PARTS



Position	Part no	Description
1	30030-89400	Heat Exchanger
2	30030-42700	Mica Window Small
3	30030-03600	Exhaust duct fitting complete
4	10030-26500	o-Ring 52 x 5
5	10010-84500	Screw M5 x 16
6	30090-09900	Thermostat Holder
7	30090-18000	Piezo Ignitor
8a	30090-90400	Gas control knob standard
8b	30090-90500	Gas Control knob illumination
8c	30090-98800	Gas control knob chrome
9	30090-90600	Gas control knob surround
10	30090-16200	Gas control knob surround
11	30090-16400	Auto ignitor heat shield
12	30050-53000	S3004/S5004 Auto ignitor cpl
13	30030-99200	Battery minion 1.5v
14	30090-91800	Base Plate
15	10010-66200	Screw B5.5 x 25
16	30090-14200	Earth spring
17	30090-20700	Gas Control Rod
18a	30090-92100	Burner assembly auto
18b	30090-92200	Burner assembly piezo
19	30090-91300	Thermoelement
20	10010-71300	Screw B2.9 X 9.5 Torx
21	30090-91100	Burner 30mbar
22a	30090-91200	Spark probe 48cm long
22b	30090-92300	Spark probe 100cm long
23	30010-23500	Flat plug socket 2.8mm
24	30090-90800	S3004/S5004 Gas valve
25	30030-02400	Ignition burner tube
26	30030-02200	Burner tube 30mbar
27	30050-58100	Micro switch c/w adapter plug
28	30030-12200	Magnet inset mimi
29	30030-12000	M5 nut for magnet inset
30	30030-04300	Extension cpl
31	30030-17500	Perforated plate
32	30030-28500	Extension spring
33	30030-04800	Intake extension cpl
34	30030-16400	Frame cpl
35	10170-00	Elbow union W8 for gas pipe

TRUMA SPARES

S3004 FIRE CASING AND COVER



TRUMA SPARES

S3004 FIRE CASING AND COVER



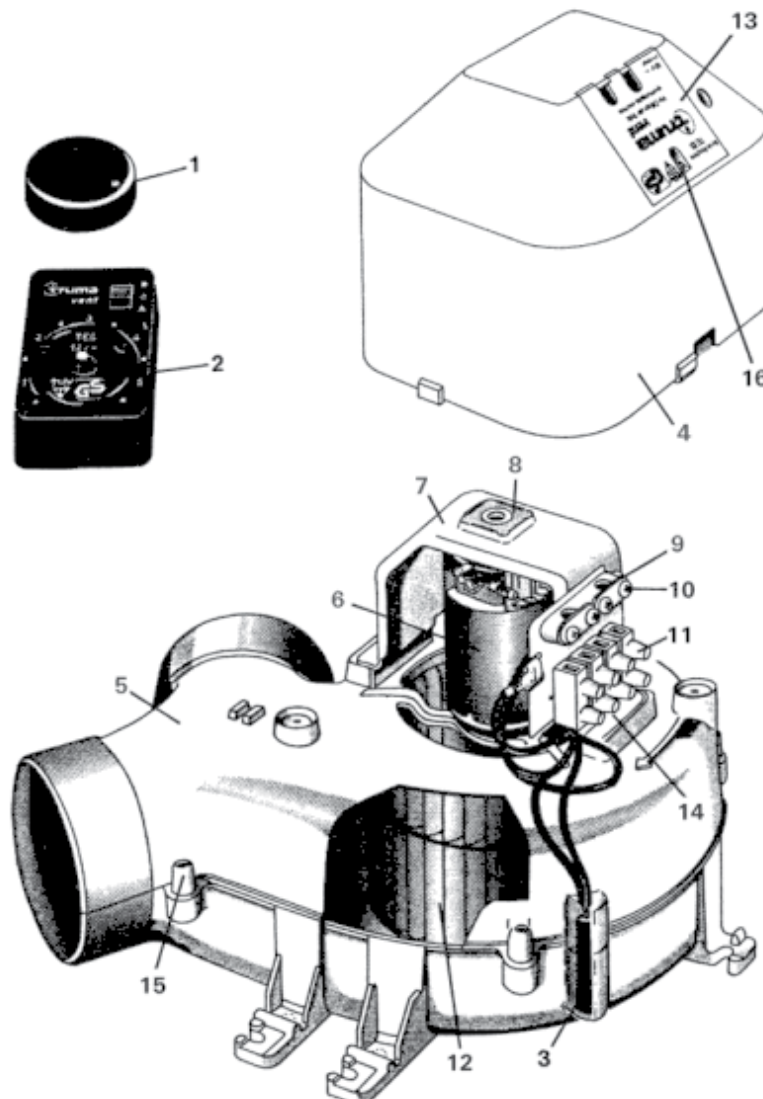
Position	Part no	Description
1	30700-02	Cowl top T2
2	30700-03	Cowl top T3
3	30010-20800	Cowl extension AKV 15cm
4	30630-01/30630-07	Cowl AK-3/60 GV
5	30010-20900	Cowl Roof
6	10010-72500	Screw B3.5 x 16
7	30010-20600	Sealing ring
8	30010-20700	Screwing ring
9	30140-00/30140-01	Exhaust duct 55mm AE3 per mtr
10	40230-53	Insulating duct UR per mtr
11	40241-00/40241-51	Clip US 65mm
12	30090-93000	Sensor cable
13a	30090-93100	Blanking plug standard
13b	30090-44700	Blanking plug Ultraheat
14	30090-94900	Front case top shelf
15	30090-93300	Illuminator sensor plate
16	30090-38100	Illuminator power cable
17	30090-44400	Fuse holder
18	30090-44300	3AMP Fuse
19	30090-18000	Piezo ignitor
20	30090-90600	Gas control knob surround
21	30090-16200	Gas control knob surround
22	30090-90400	Gas control knob standard
23a	30090-90500	Gas control illumination
23b	30090-98800	Gas control knob chrome
24	30090-95000	Front case top housing
25	30090-93700	Control rod gromet
26	30090-20700	Gas control rod
27	30090-95300	Front case top cover Perl Grey
27	30090-95400	Front case top cover Titan Grey
28	30090-95500	Front case main panel Perl Grey
28	30090-95700	Front case main panel Perl Grey Chrome
28	30090-95400	Front case main panel Titan Grey
28	30090-95600	Front case main panel Titan Grey Chrome
29	10010-68000	Screw PVZ3x12
30	30070-11500	Spring nut
31	30090-95800	Installation tin

TRUMA SPARES

TRUMAVENT TEB



Ref	Truma No.	Description
1	40000-00100	Control knob complete
2	40000-00400	Control panel TEB complete with connection cable
3	40000-13900	Thermo sensor TEB
4	40000-10900	Motor cover
5	00000-00001	not available Air box
6	40000-14300	D.C. motor 12 V complete with anti-interference capacitor and earth cable
6	40000-28800	Carbon brushes white/black after 02/94 - not illustrated
6	39010-17400	Carbon brushes red/black until 02/94 - not illustrated
7	40000-00700	Motor strap complete with connector
8	40000-00600	Bearing block set
9	40000-01000	Strain relief plate complete with 2 clamps
10	10010-71000	Screw B 2.9 x 19
11	40000-12800	Lustre terminal 4-pin heat resistant
12	40000-13800	Fan wheel
13	40000-12200	Motor cover TEB
14	00000-00001	not available Screw M4 x 10 with nut
15	10010-78700	Screw B 2.9 x 13
16	10010-72000	Screw B 3.5 x 9.5

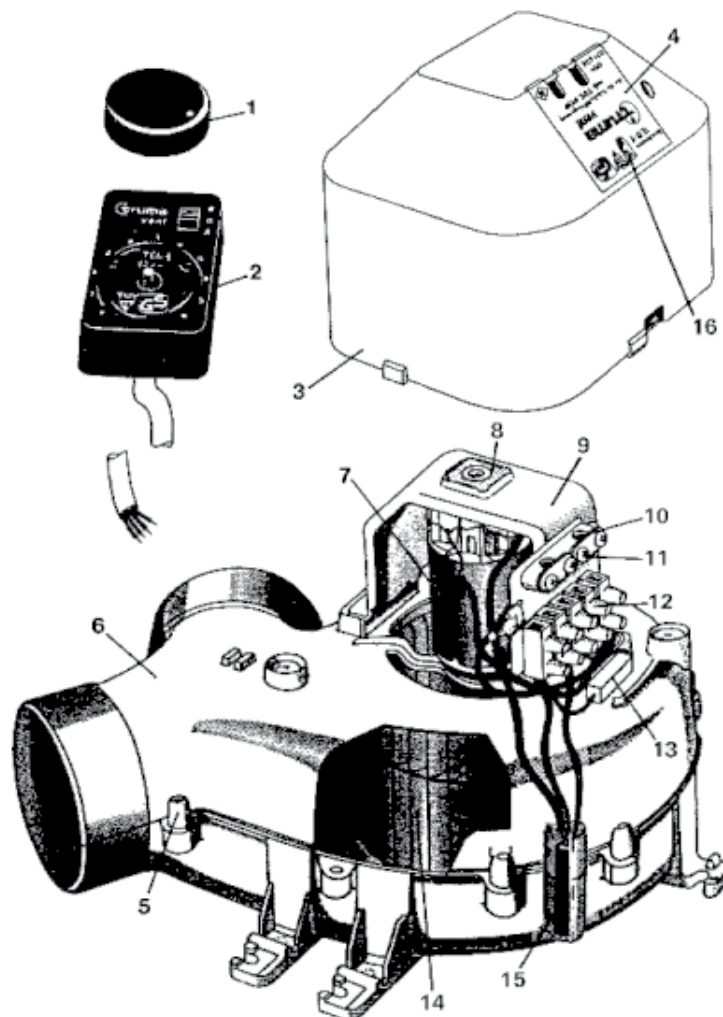


TRUMA SPARES

TRUMAVENT TEB 1



Ref	Truma No.	Description
1	40000-00100	Control knob complete
2	40000-26500	Control panel TEB 1.9m with cable 1,9 m
3	40000-10900	Motor cover
4	40000-19600	Motor cover lid TEB 1
5	10010-78700	Screw B 2.9 x 13
6	00000-00001	not available Air box
7	40000-14300	D.C. motor 12 V complete with anti-interference capacitor and earth cable
7	40000-28800	Carbon brushes white/black after 02/94 - not illustrated
7	39010-17400	Carbon brushes red/black until 02/94 - not illustrated
8	40000-00600	Bearing block set
9	40000-00700	Motor strap complete with connector
10	40000-01000	Strain relief plate
11	10010-71000	Screw B 2.9 x 19
12	40000-12900	Lustre terminal 5-pin heat resistant
13	40000-17500	Resistor 27 Ohm, 5 Watt
14	40000-13800	Fan wheel
15	40000-17100	Thermo sensor TEB 13 pol
16	10010-72000	Screw B 3.5 x 9.5
x	40000-21400	U clip for fan casing after 07/87- not illustrated
x	10010-72700	Screw B 3.5 x 22 for fan attachment on heater installation box - not illustrated

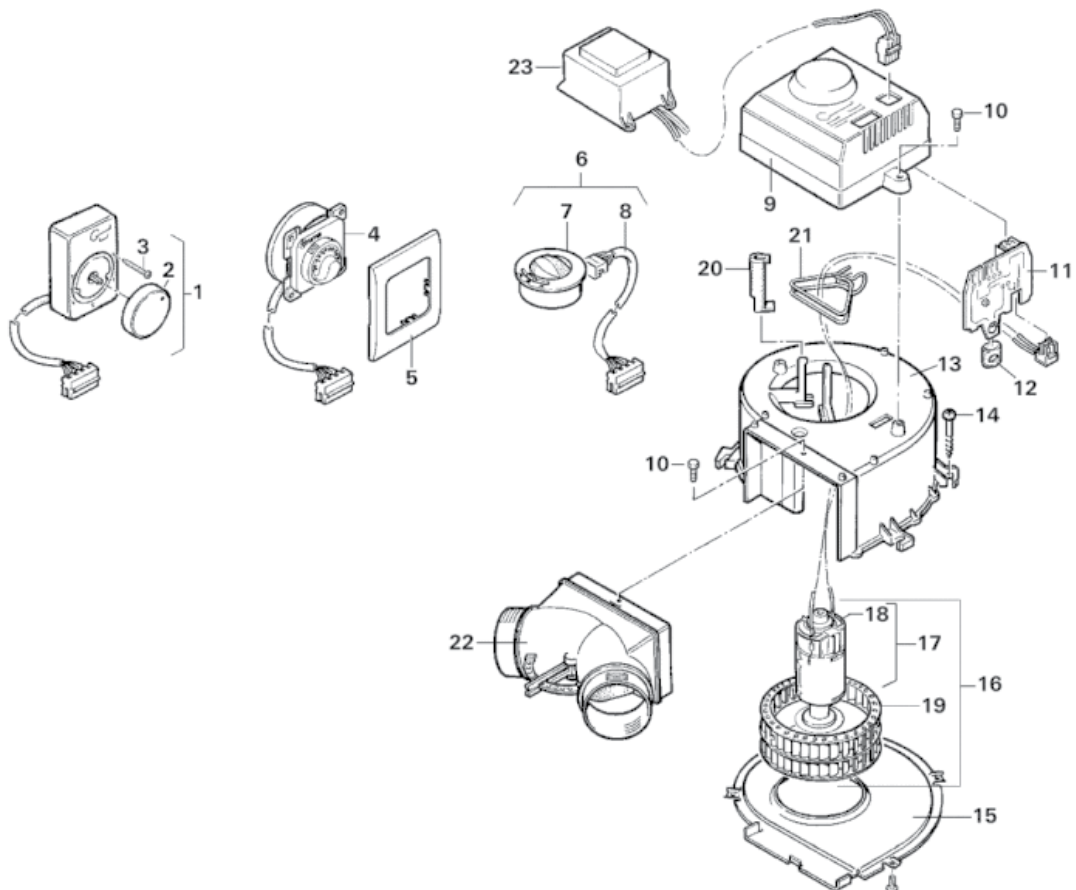


TRUMA SPARES

TRUMAVENT TEB 2



Ref	Truma No.	Description
1	40000-48000	Control panel TEB-2 ext. 1.5 m
2	40000-00100	Control knob complete
3	10010-78900	Screw B 2.9 x 25 not illustrated
4	40000-52900	Control panel TEB-2 ext. 2.5m
4	40000-53800	Control panel TEB-2 ext. 1.5m
5	34000-60600	Cover frame agate grey for control panel from 05/02 - further colours upon request
6	40000-47600	Control panel integrated 1.3 m cable
6	40000-47500	Control panel integrated 0.8 m cable
7	40000-46000	Control panel TEB-2, integrated for fitting in heater front case without cable
8	40000-47900	Control panel cable 1.3 m
8	40000-45000	Control panel cable 0.9 m
9	40000-43000	Cover TEB-2
10	10010-83700	Screw M 4 x 10
11	40000-57100	Power electronics TEB-T/2
12	40000-41600	Sensor cover
13	40000-41000	Fan case
14	10010-72700	Screw B 3.5 x 22for fan attachment on heater installation box
15	40000-41200	Cover
16	40000-42400	D.C. motor 12 V with air wheel connection cable and plug
17	40000-42000	D.C. motor 12 Vonly for fans after 01/99 with screw-an fan wheel
18	40000-28800	Carbon brushes white/black
19	40000-42500	Fan wheel TEB-2/TEB-Tonly for fans after 01/99
20	40000-41500	Vibration absorber
21	40000-43700	Wire clip
22	40000-43300	Y-pieceTEB 2
23	40000-47700	Transformer SPU 230-12for operation of the TEB 2 fan with 230 V

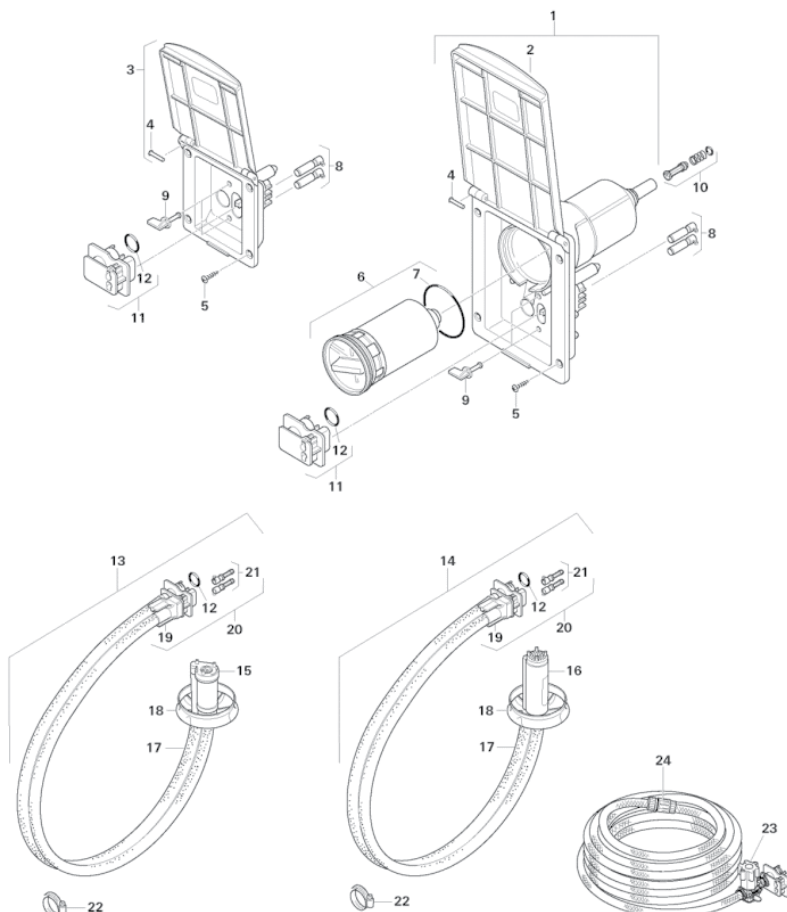


TRUMA SPARES

TRUMA CRYSTAL 2

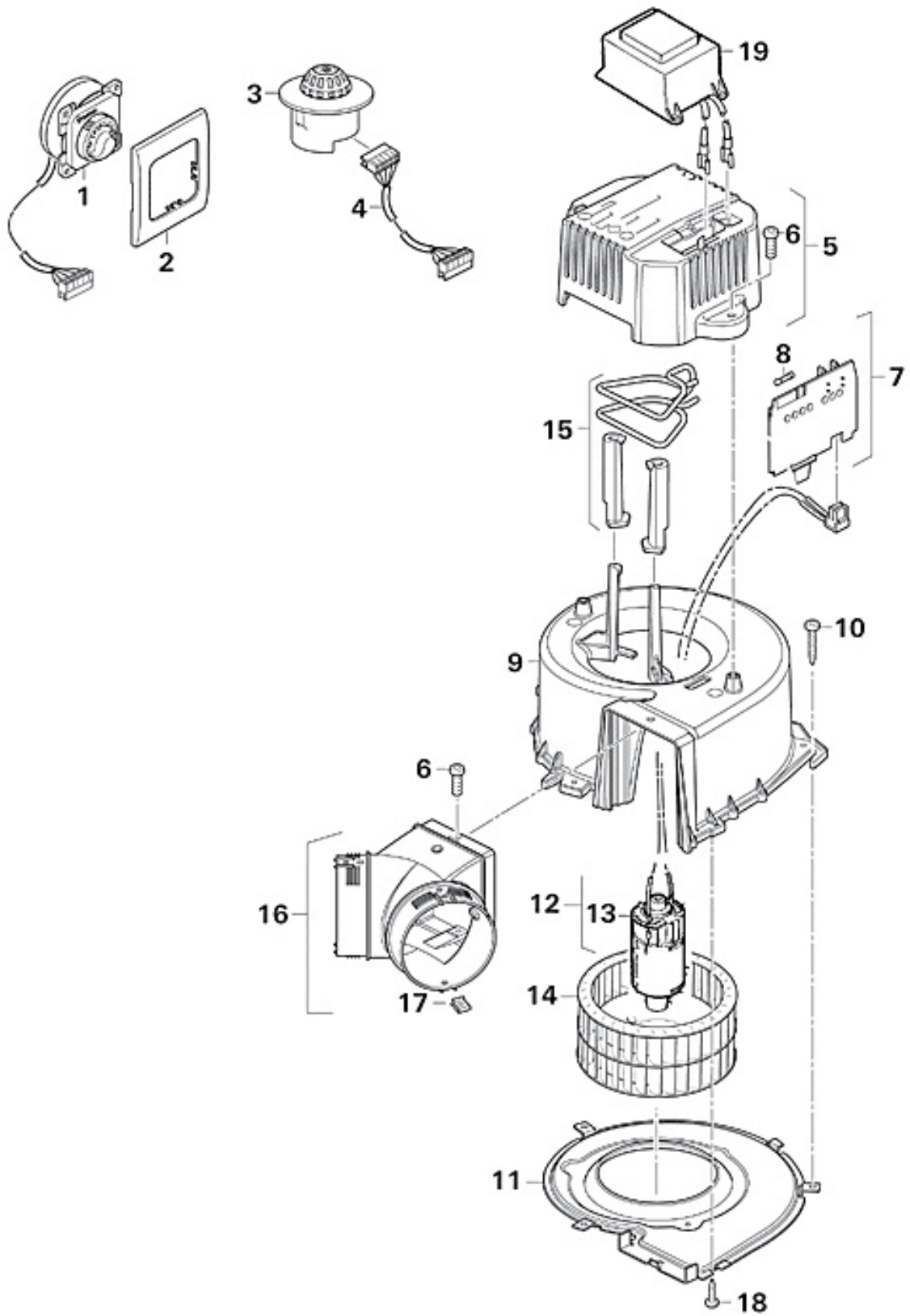


Item	TRUMA No	Description
1	40060-31100	Filter housing white complete with lid, without filter
1	40060-30100	Filter housing ivory complete with lid, without filter
2	40060-60200	Cover filter housing white with hinge pins
2	40060-60100	Cover filter housing ivory with hinge pins
3	40060-61000	Cover compact housing bianco with hinge pins
3	40060-60500	Cover compact housing ivory with hinge pins
3	40060-60600	Cover compact housing white with hinge pins
4	40060-24400	Hinge pins (2Pack)
5	10010-79700	Screw B 3.5 x 19
6	46810-01	Filter cartridge Crystal 2
7	40060-52100	O-ring 59,6 x 2,4
8	40060-24500	Connection terminal (female) - 2Pack
9	40060-24600	Security clip (2Pack)
10	40060-60700	Non return valve complete
11	40060-49000	Blanking plug Crystal 2
12	40060-24900	O-ring 15,6 x 2,4 (2Pack)
13	46100-01	Crystal 2 maxi pump assembly
15	40060-54900	Maxi pump
17	40060-55300	Hose for Crystal 2
18	40060-55700	Dust cover for Crystal 2
19	40060-55500	Plug cover
20	40060-60800	Pump connector plug Crystal 2, complete with 2 terminals, O ring & cover
21	40060-24800	Connection Terminal (male) - 2Pack
22	70000-27900	Clip
23	40060-47400	Pressure reducer "Waterline"
24	40060-47600	Hose connection "Waterline"



TRUMA SPARES

TEB-3, TEN-3 FAN



TRUMA SPARES

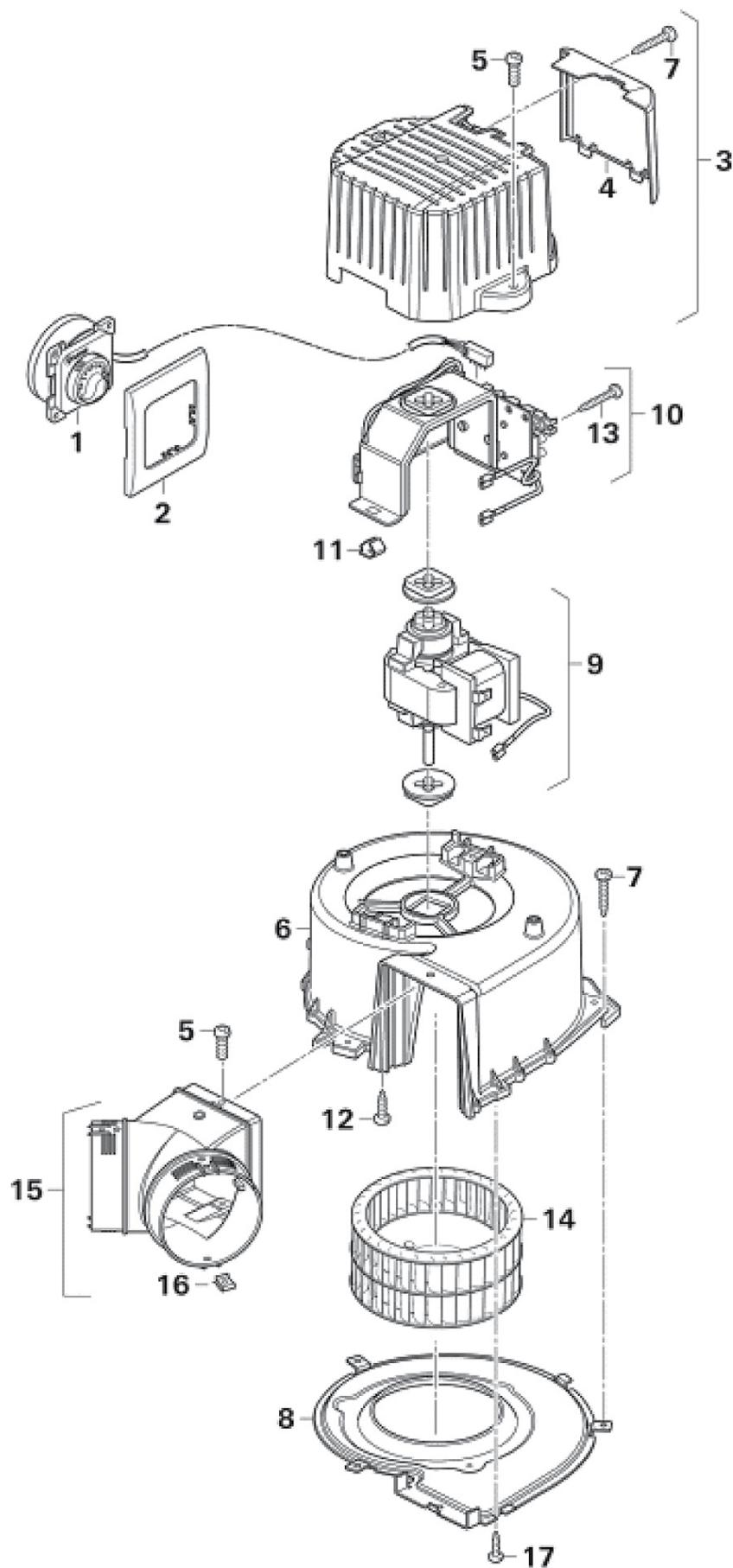
TEB-3, TEN-3 FAN



Position	Part no	Description
1	40000-39100	TEB 3 Control panel 2,5m
1	40000-39200	TEB 3 Control panel 1,5m
2	34000-60600	Control panel frame agate grey
3	40000-92900	TEB 3 Control switch chrome
3	40000-92800	TEB 3 Control switch
3	40000-93000	TEB 3 Control switch chrome
4	40000-93100	TEB 3 Control cable 1.3m
4	40000-93200	TEB 3 Control cable 0,8m
5	40000-93300	TEB 3 Motor housing
6	10010-83300	Screw DM 4 x 10 Torx
7	40000-93400	TEB 3 PCB
8	40000-93500	2.4a Fuse
9	40000-33700	TEB 3 Fan housing
10	10010-74400	Screw B 3.5 x 19
11	40000-34600	Fan cover plate
12	40000-93600	TEB 3 Fan motor
13	40000-28800	Carbon brush set
14	40000-42500	Fan wheel TEB 2
15	40000-93700	TEB 3 Motor clamp set
16	40000-92700	TEB 3/TN-3 Y Piece
17	34020-24000	Ducting clips
18	10010-71300	Screw B 2.9 x 9.5 Torx
19	40000-39900	230v/12v Transformer

TRUMA SPARES

TRUMAVENT TN-3 FAN



TRUMA SPARES

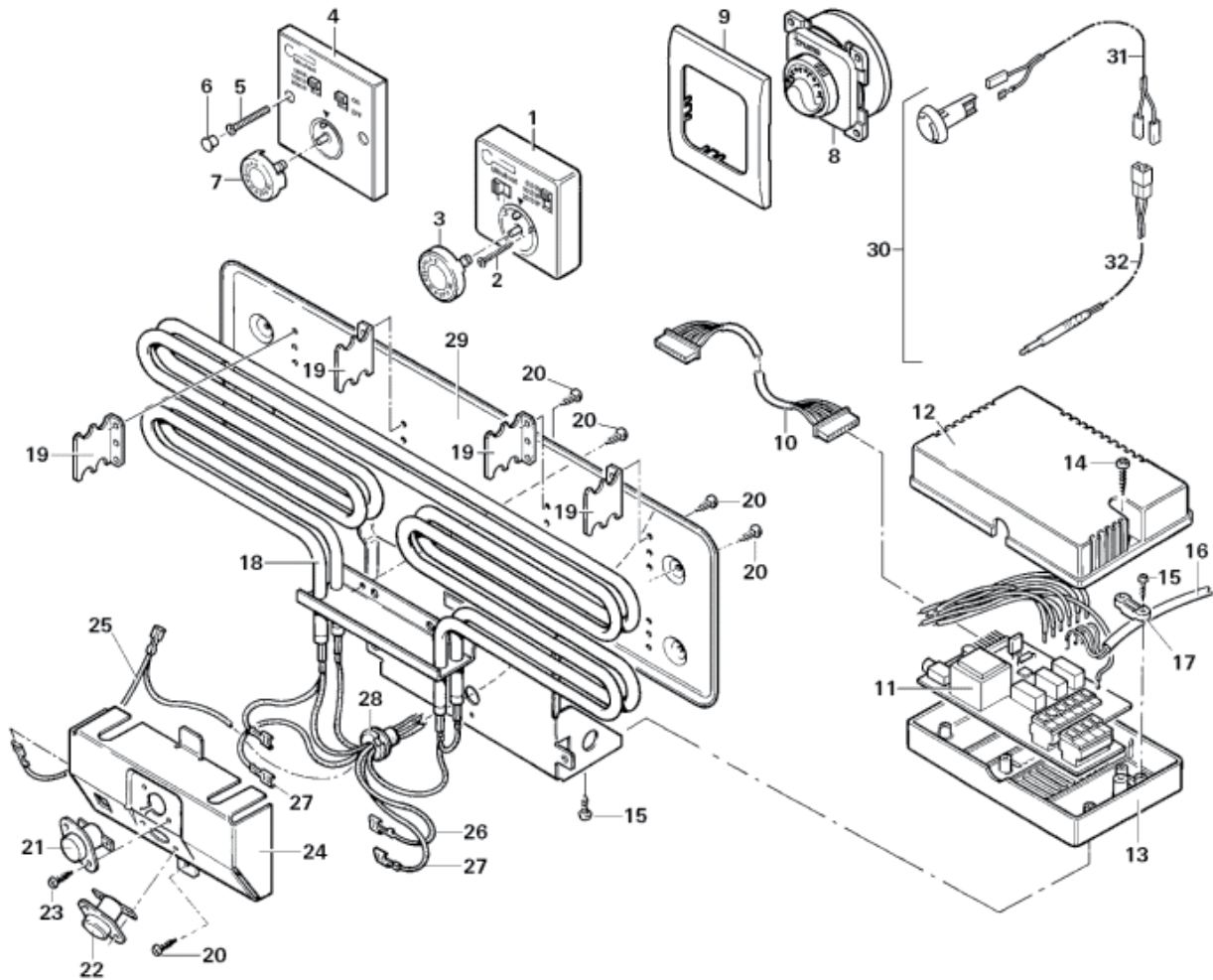
TRUMAVENT TN-3 FAN



Position	Part no	Description
1	40000-31500	TN- 2/3 Control panel
1	40000-29100	TN- 2/3 Control panel 230v
2	34000-60600	Control panel frame agate grey
3	40000-92300	TEB-3 Motor housing
4	40000-92400	TN-3 Cable cover
5	10010-83300	Screw K 35 x 12
6	40000-32600	TN-3 Fan housing
7	10010-74400	Screw B 3.5 x 19
8	40000-34600	Fan cover plate
9	40000-92500	TN-3 230v Motor
10	40000-92600	TN-4 Motor clamp
11	30070-11500	Spring nut
12	10010-72600	Screw B3.5 x 13
13	10010-71000	Screw B2.9 x 19
14	40000-42700	TN-2/3 Fan wheel
15	40000-92700	TEB 3/TN 3 Y Piece
16	34020-24000	Ducting clips
17	10010-71300	Screw B 2.9 x 9.5 Torx
15	40000-93700	TEB 3 Motor clamp set
16	40000-92700	TEB 3/TN-3 Y Piece
17	34020-24000	Ducting clips

TRUMA SPARES

ULTRAHEAT



TRUMA SPARES

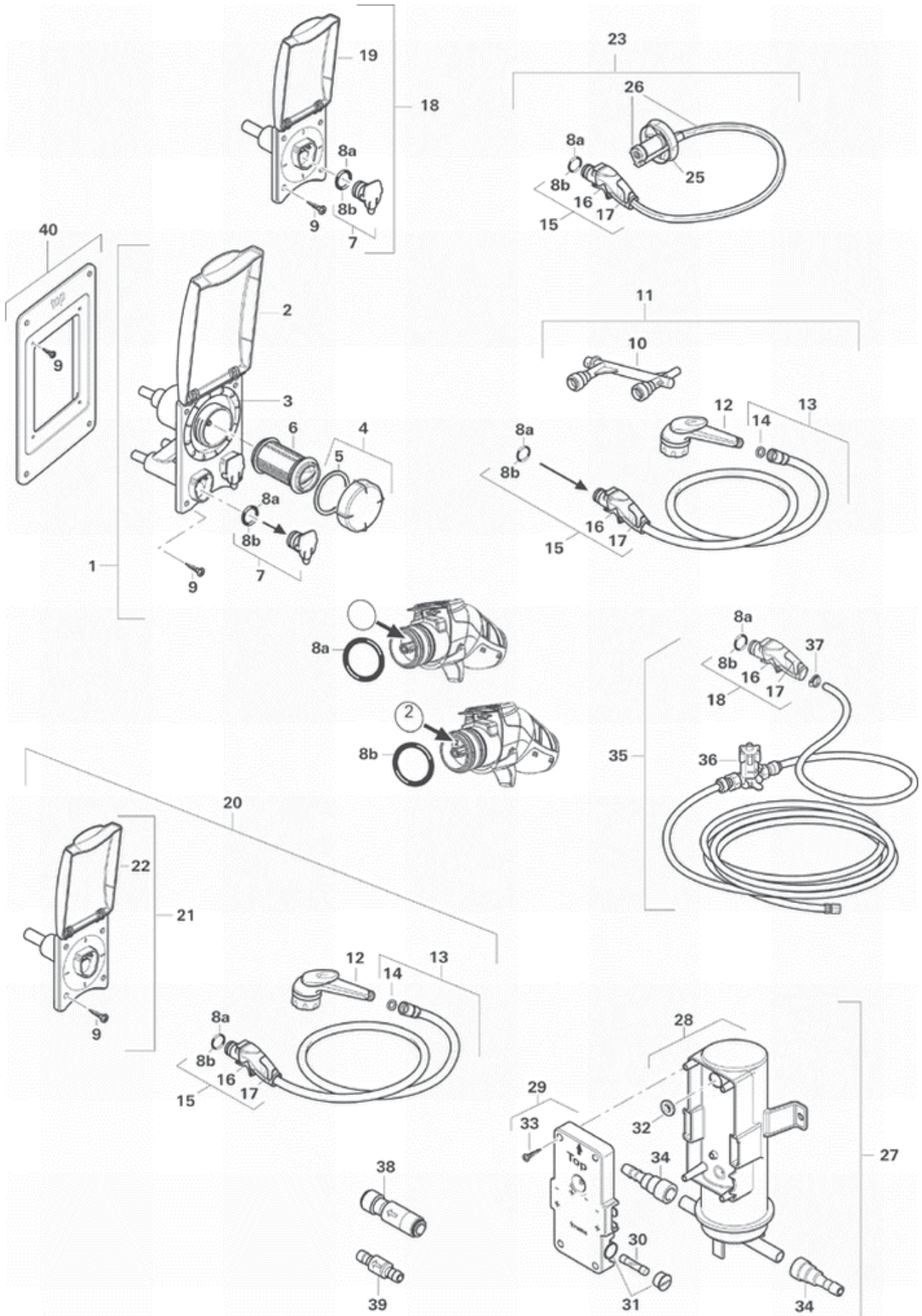
ULTRAHEAT



Position	Part no	Description
1	30030-98600	Control Ultraheat (Contin.) without cable
2	10010-78900	Screw B 2.9 x 25
3	39010-84000	Control knob complete
4	00000-00100	na
5	00000-01000	Screw M 3.5 x 25
6	30030-96900	Screw cover
7	00000-01100	Control knob
8	30030-98400	Control panel (new) ultraheat without cable - from 05/02;
9	34000-60600	Cover frame agate grey;;;for control panel from 05/02
10	34000-09400	Cable for con. panel 5 m
10	34000-09300	Cable for con. panel 3 m
11	30030-70900	Power electronics Ultraheat
12	30030-69200	Electronic housing upper part
13	30030-69100	Electronic housing bottom part
14	10010-40500	PT-screw KAL 40 x 16
15	10010-40400	PT-screw KB 40 x 10
16	34010-04900	Power supply line 1.6 m
17	00000-00001	obsolete
18	30030-70100	Heating element complete
19	30030-95700	Fastening plate
20	10010-73800	Screw B 3.5 x 9.5
21	30030-65100	Temperature control device
22	30030-65200	Temperature limiter 175° (nur für S 3002 / S 5002)
23	10010-70000	Screw B 2.9 x 6.5 torx
24	30030-69800	Cover
25	30030-94400	Double-cable green/yellow
26	30030-94200	Cable 200 mm blue
27	30030-94300	Cable 185 mm black
28	30030-68700	Cable bushing
29	30030-69600	Radiant reflector only for S 3002 / S 5002
30	34201-01	Remote sensor FFC 2
31	34000-71900	Cable for room sensor 4 m;
32	34000-71800	Adapter cable with jack

TRUMA SPARES

ULTRAFLOW WATER SYSTEM



TRUMA SPARES

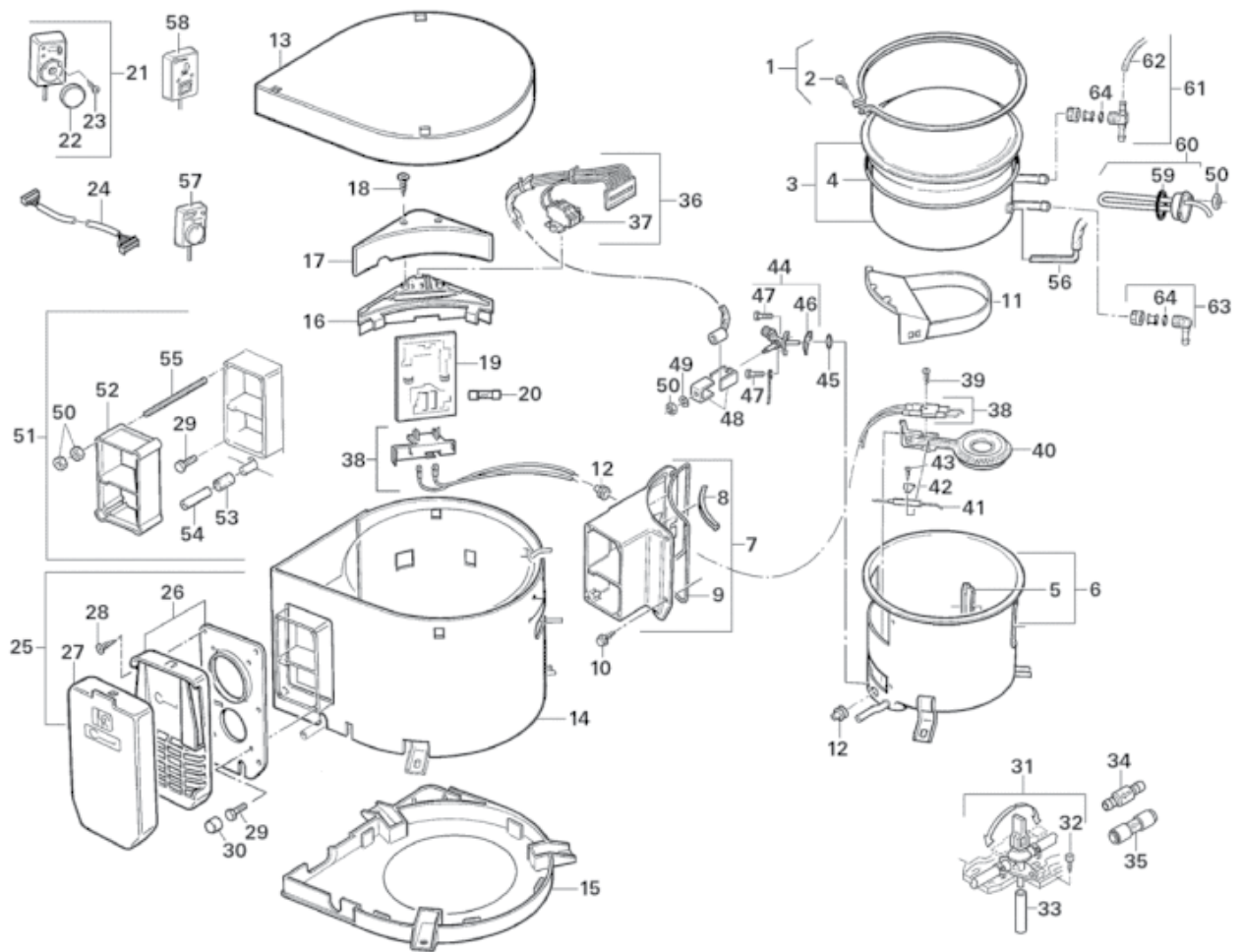
ULTRAFLOW WATER SYSTEM



Position	Part no	Description
1	46010-02	Filter housing ivory compl. with filter
1	46010-01	Filter housing white compl. with filter
2	40060-96100	Cover filter frame white
2	40060-96200	Cover filter frame ivory
3	40060-96300	Datering
4	40060-96400	Filter cover with sealing
5	40060-96500	Sealing ring for filter cover
6	46020-01	Filter cartridge
7	40060-96600	Cover compl. with o-ring
8a	40060-91400	O-ring 25 x 2,3
8b	40060-72900	O-ring 25 x 2 Index 2
9	10010-79700	Screw B 3.5 x 19
10	40060-96700	Connector brige
11	46080-01	Shower assembly filter housing incl. connector bridge
12	40060-96800	Shower head
13	40060-96900	Shower hose with sealing ring 1/2
14	40060-85700	Sealing ring 1/2"
15	40060-97700	Pistol housing compl
16	40060-97100	Pistol lever
17	40060-97200	Hose holder
18	46030-02	Compact housing white
18	46030-01	Compact housing ivory
19	40060-97400	Cover compact housing white
19	40060-97300	Cover compact housing ivory
20	46070-02	Compact shower assembly ivory
20	46070-01	Compact shower assembly white
21	40060-99600	Shower housing white compl
21	40060-99700	Shower housing ivory compl
22	40060-97600	Cover shower housing ivory
22	40060-97500	Cover shower housing white
23	46040-10	Pump assembly compl. hose 1000 mm long
23	46040-01	Pump assembly compl. hose 800 mm long
25	40060-98000	Protection hood;
26	40060-98200	Pump assembly with hose 1000 mm
26	40060-98100	Pump assembly with hose 800 mm
27	46050-01	Surge Damper compl. c/w 2 adapter
28	40060-98300	Housing
29	40060-98400	Electronic compl. with cover with 4 screws
30	34000-76800	Fuse 6.3 AT
31	40060-98600	Fuse holder
32	40060-87500	O-ring 4.5 x 1.8
33	30050-13000	Screw KB 30 x 8
34	40060-99900	Adapter JG 12/flex. 10 must be used to connect flexible hoses to the Surge Damper
35	46090-01	Waterline compl
36	40060-98700	Pressure reducing valve Waterline
37	40060-98800	Clip
38	40060-88000	Non return valve UF JG
39	40060-90000	Non return valve UF (flex.)
40	40060-69000	Adapter plate Crystal / Ultraflow with 4 screws

TRUMA SPARES

TRUMA ULTRASTORE 2



TRUMA SPARES

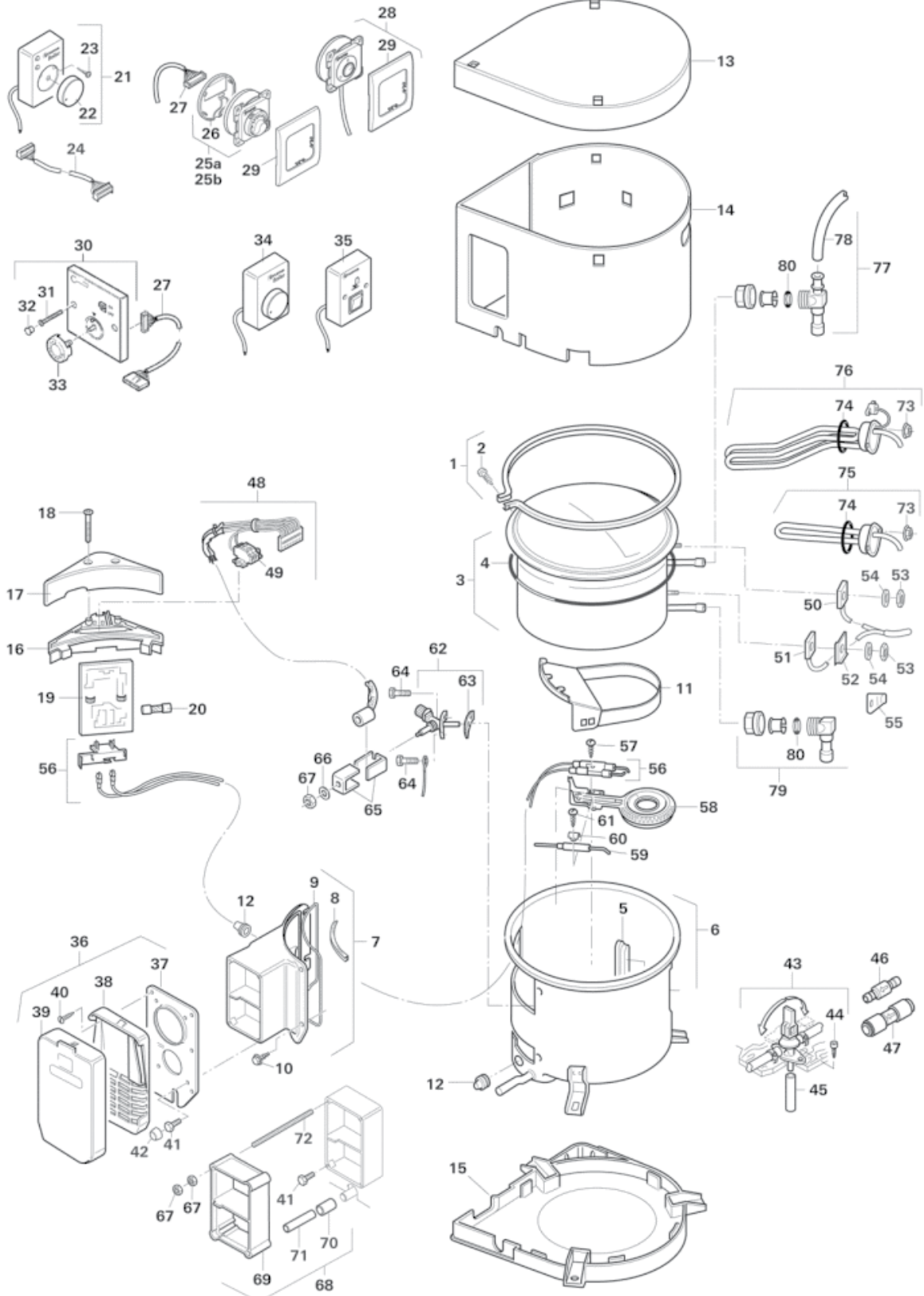
ULTRASTORE 2



Ref	Truma No.	Description
1	70000-41200	Clamp ring with screw
2	10010-66100	Screw B 5.5 x 25
3	70010-61000	Water container 10 litre complete with blind flange and sealing ring
3	70010-61100	Water container 14 litre complete with blind flange and sealing ring
4	70000-14100	Sealing ring
5	70000-13300	Form ring
6	70000-36200	Outer pot
7	70000-36300	Oriel with gaskets
8	70000-29100	Profiled gasket 140 mm long
9	70000-37200	Silicon square sealing
10	10010-65100	Screw B 4.8 x 9.5 with tenon
11	70000-36100	Wind guide
12	70000-37300	Leadtrough
13	70000-98100	Case lid
14	70000-98500	Casing 14 litre
14	70000-98400	Casing 10 litre
15	70000-51000	Case floor
16	70000-98300	Electronic housing cover
17	70000-98200	Electronic housing lid
18	10010-79100	Screw B 2.9 x 32
19	70000-38300	Electronic 30 mbar
19	70000-36900	Electronic 50 mbar
20	39010-10900	Fuse 1.25 A for boiler 30 mbar
20	70000-28900	Fuse 1.25 A for boiler 50 mbar
21	70000-57900	Control panel with 2.5 m cable
22	40000-00100	Control knob complete
23	10010-78900	Screw B 2.9 x 25
24	70000-53500	Control ext. 5 m not illustrated
25	70000-54100	Wall cowl complete cream
26	70000-54500	Grill for wall cowl complete with floor plate
27	70121-01	Cowl cover KBS 2 cream
28	10010-72900	Screw B 3.5 x 25
29	10010-50600	Screw AM 4 x 12
30	70000-12800	Protection cap grey
31	70141-02	Safety/drain valve 2.8 bar lever = yellow, with connector for water tubes Ø 10 mm
31	70141-01	Safety/drain valve 2 bar lever = red, with connector for water tubes Ø 10 mm
31	70142-05	Safety/drain valve 2.8 bar J.G. 12mm with pipe Ø 12 mm for rigid piping (John Guest System)
32	10010-66200	Screw B 5.5 x 25
33	70000-20200	Drain tube, 110 mm long PVC non-rigid
34	70000-03300	Non return valve with connector for flexible water tubes Ø 10 mm
35	70020-03500	Non return valve J.G. 12 mm with pipe Ø 12 mm for rigid piping (John Guest System)
36	70000-37700	Cable harness
37	70000-26400	Connection clamp blue/orange
38	70020-10200	Electronic floor plate c/w spark el.
39	10010-63100	Screw B 2.9 x 16 torx
40	70000-54200	Burner
41	70000-56200	Flame rectification electrode
42	70000-34500	Clamp
43	10010-70000	Screw B 2.9 x 6,5 torx
44	70000-38200	Solenoid valve 30 mbar complete with gasket
44	70000-36500	Solenoid valve 50 mbar complete with gasket
45	10030-17700	O-ring 5.5 x 1.5 for valve body until 07/93
46	70000-35800	Gasket for valve body from 07/93
47	10010-65300	Screw B 4.2 x 19
48	70000-54600	Set coil holders
49	10020-11000	Spring washer A 4
50	10020-17500	Nut M 4
51	70131-00	Cowl extension VBO 2 complete
52	70000-34200	Extension
53	70000-17900	Connection tube
54	70000-18000	Distance tube
55	70000-49500	Threaded bolt M 4
56	70000-30000	Temperature sensor complete
57	00000-00001	not available Control panel BN complete (spare pos. 58)
58	70000-01600	Control panel 230 V for electrical heating 230 V
59	10030-15600	O-ring 32 x 2.5 for heating element 230 V
60	70000-02500	Heating element 230 V, 450 W
61	34150-01	Elbow fitting 2 flex. with connector for water tubes Ø 10 mm with breather tube
61	34151-03	Elbow fitting 2 J.G. 12mm with pipe Ø 12 mm for rigid piping (John Guest System) with breather tube
62	34000-17700	Condensation tube 8 x 1.5 (900 mm long)
63	70151-03	Elbow fitting J.G. 12mm with pipe Ø 12 mm for rigid piping (John Guest System)
63	70150-01	Elbow fitting (flex.) with connector for flexible water tubes Ø 10 mm
64	10030-21600	O-ring 10 x 25

TRUMA SPARES

ULTRASTORE 3



TRUMA SPARES

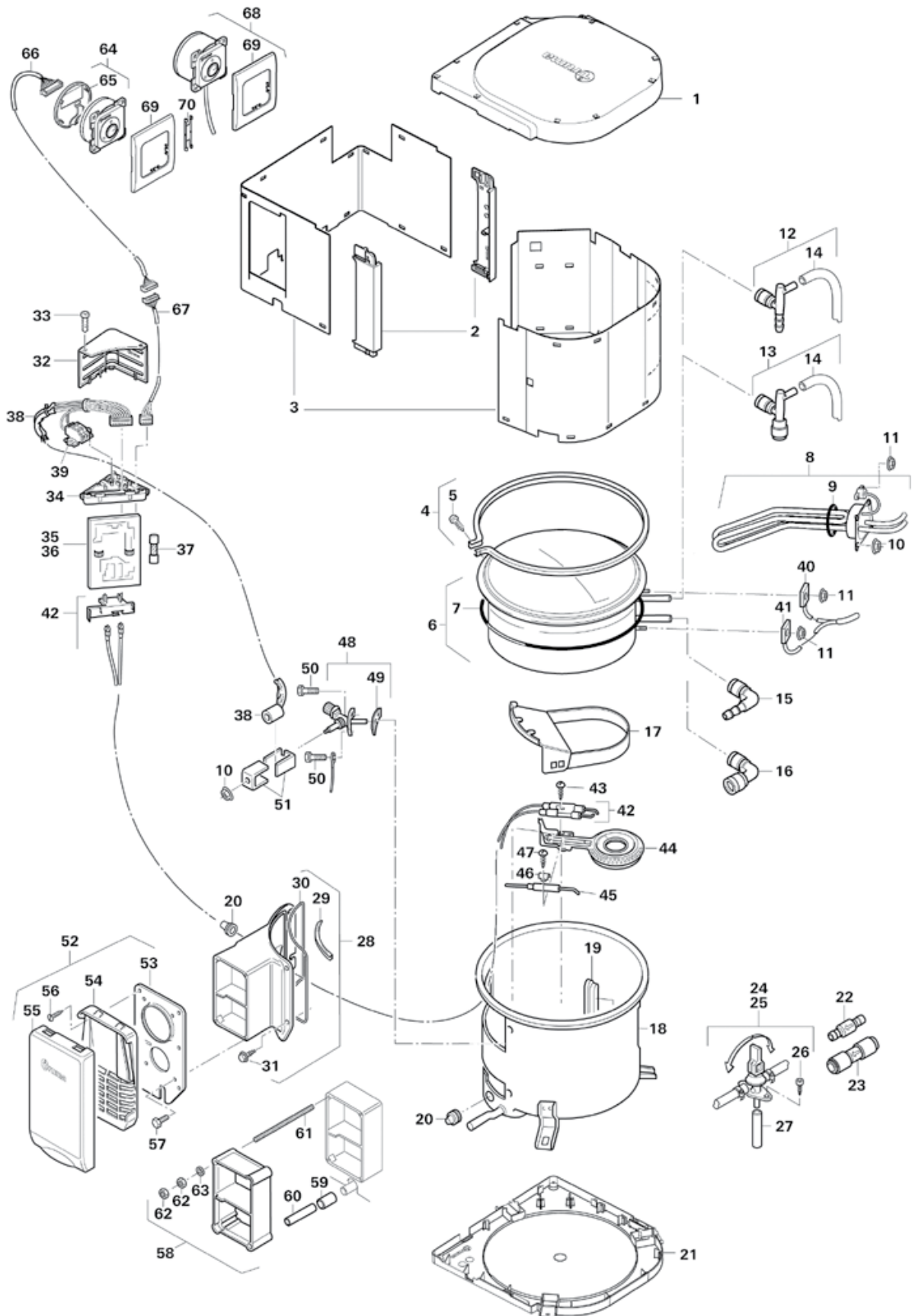
ULTRASTORE 3



Ref	Truma No.	Description
1	70000-41200	Clamp ring with screw
2	10010-66100	Screw B 5.5 x 25
3	70010-61100	Water container 14 litre complete with blind flange and sealing ring
3	70010-61000	Water container 10 litre complete with blind flange and sealing ring
4	70000-14100	Sealing ring
5	70000-13300	Form ring
6	70000-36200	Outer pot
7	70000-36300	Oriel with gaskets
8	70000-29100	Profiled gasket 140 mm long
9	70000-37200	Silicon square sealing
10	10010-65100	Screw B 4.8 x 9.5 with tenon
11	70000-36100	Wind guide
12	70000-37300	Leadtrough
13	70000-98100	Case lid
14	70000-98500	Casing 14 litre
14	70000-98400	Casing 10 litre
15	70000-51000	Case floor
16	70000-98300	Electronic housing cover
17	70000-98200	Electronic housing lid
18	10010-79100	Screw B 2.9 x 32
19	70000-99500	Electronic complete
20	70000-07100	Fuse 1.6 AT from fabr.-no. 11138091
20	70000-28900	Fuse 1.25 AT until fabr.-no. 11138090
21	70000-57900	Control panel until 04/02 complete with 2.5 m cable
22	40000-00100	Control knob complete
23	10010-78900	Screw B 2.9 x 25
24	70000-53500	Control ext. 5 m
25A	70000-09600	Control panel Boiler from 05/02 (without cable)
25B	70000-0670	Control panel Ultrastore from 05/02 (without cable)
26	34000-60500	Housing cover for control panel from 05/02
27	70000-96200	Control panel cable 3m
28	70000-00100	Control panel Boiler EL form 05/02 complete with 3 m cable
28	00000-00500	Control panel Ultrastore EL form 05/02 complete, order only by Truma UK (special version England)
29	34000-60600	Cover frame agate grey for control panel from 05/02 - further colours upon request
30	00000-00600	Control pan. Ultrastore order only by Truma UK (special version England) without cable
31	10010-11200	Screw M 3.5 x 25
32	30030-96900	Screw cover
33	70000-99400	Control knob
34	00000-00001	not available Control panel BN complete (spare pos. 35)
35	70000-01600	Control panel 230 V for electric heating 230 V
36	70020-54900	Wall cowl complete bianco
36	70000-54100	Wall cowl complete cream
36	70020-54800	Wall cowl complete black
37	70000-43900	Cowl floor plate
38	70000-25300	Grill for wall cowl bianco
38	70000-43200	Grill for wall cowl cream
38	70020-54700	Grill for wall cowl black
39	70121-05	Cowl cover KBS 2 black
39	70121-04	Cowl cover KBS 2 bianco
39	70121-01	Cowl cover KBS 2 cream
40	10010-72900	Screw B 3.5 x 25
41	10010-50600	Screw AM 4 x 12
42	70000-12800	Protection cap grey until 09/99
43	70141-02	Safety/drain valve 2.8 bar lever = yellow, with connector for water tubes 10mm dia
43	70141-01	Safety/drain valve 2 bar lever = red, with connector for water tubes Ø 10 mm
43	70142-05	Safety/drain valve 2.8 bar J.G. 12mm with pipe Ø 12 mm for rigid piping (John Guest System)
44	10010-66200	Screw B 5.5 x 25
45	70000-20200	Drain tube, 110 mm long PVC non-rigid
46	70000-03300	Non return valve with connector for water tubes Ø 10 mm with breather tube
47	70020-03500	Non return valve J.G. 12 mm with pipe Ø 12 mm for rigid piping (John Guest System)
48	70000-56300	Cable harness
49	70000-26400	Connection clamp blue/orange
50	34000-34200	Thermostat overtemp
51	34000-34300	Temperature sensing device
52	70000-07000	Heat conducting plate not for Boiler with 230 V electrical heating
53	10020-17100	Nut M 3
54	10020-11300	Spring washer A 3
55	70000-52900	Switch clamp only for Boiler until 02/95
56	70020-10200	Electronic floor plate c/w spark el.
57	10010-63100	Screw B 2.9 x 16 torx
58	70000-54200	Burner
59	70000-56200	Flame rectification electrode
60	70000-34500	Clamp
61	10010-70000	Screw B 2.9 x 6,5 torx
62	70000-38200	Solenoid valve 30 mbar complete with gasket
62	70000-36500	Solenoid valve 50 mbar complete with gasket
63	70000-35800	Gasket for valve body
64	10010-65300	Screw B 4.2 x 19
65	70000-54600	Set coil holders
66	10020-11000	Spring washer A 4
67	10020-17500	Nut M 4
68	70131-00	Cowl extension VBO 2 complete
69	70000-34200	Extension
70	70000-17900	Connection tube
71	70000-18000	Distance tube
72	70000-49500	Threaded bolt M 4
73	10020-17600	Nut M 4 with washer
74	10030-15700	O-ring 32 x 2.8 Silicone for heating element 230 V
75	70000-02500	Heating element 230 V, 450 W until 06/03
76	70010-03000	Heating element 230 V, 850 W from 07/03
77	34150-01	Elbow fitting 2 flex. with connector for flexible water tubes 10mm with breather tube
77	34151-03	Elbow fitting 2 J.G. 12mm with pipe Ø 12 mm for rigid piping (John Guest System) with breather tube
78	34000-17700	Condensation tube 8 x 1.5 (900 mm long)
79	70151-03	Elbow fitting J.G. 12mm with pipe Ø 12 mm for rigid piping (John Guest System)
79	70150-01	Elbow fitting (flex.) with connector for flexible water tubes Ø 10 mm
80	10030-21600	O-ring 10 x 25

TRUMA SPARES

ULTRASTORE GE



TRUMA SPARES

ULTRASTORE GE



Position	Part no	Description
1	70020-36400	Case lid UGE
2	70020-36500	Case supports left and right
3	70020-36600	Casing 1 and 2 UGE complete
4	70000-41200	Clamp ring with screw
5	10010-66700	Screw B 5.5 x 32
6	70020-36700	Water container UGE, 10 L without heating element
7	70000-14100	Sealing ring
8	70020-36800	Heating element 230 V, 1300 W
9	10030-16100	O-ring 38 x 3 for heating element 230 V, 1300 W
	10020-25000	Selflocking nut M 4
11	10020-16800	Nut M 3 with washer
12	34020-63900	Elbow fitting TB flex. 10 mm, red with connector for flexible water hoses Ø 10 mm with breather tube
13	34020-64000	Elbow fitting J.G. 12 mm, red with pipe Ø 12 mm for rigid piping (John Guest System) with breather tube
14	34000-17700	Condensation tube 8 x 1.5 (900 mm long)
15	34020-16900	Elbow fitting TB flex. 10 mm, blue with connector for flexible water hoses Ø 10 mm
16	34020-16200	Elbow fitting J.G. 12 mm, blue with pipe Ø 12 mm for rigid piping (John Guest System)
17	70000-36100	Wind guide
18	70000-36200	Outer pot
19	70000-13300	Form ring
20	70000-37300	Leadtrough
21	70020-36900	Case floor
22	70000-03300	Non return valve TB with connector for flexible water hoses Ø 10 mm
23	70020-03500	Non return valve J.G. 12 mm with pipe Ø 12 mm for rigid piping (John Guest System)
24	70141-02	Drain valve Bo TB lever = yellow, with connector for flexible water hoses Ø 10 mm
25	70142-05	Drain valve Bo JG with pipe Ø 12 mm for rigid piping (John Guest System)
26	10010-66200	Screw B 5.5 x 25
27	70000-20200	Drain tube, 110 mm long PVC non-rigid
28	70000-36300	Oriel with gaskets
29	70000-29100	Profiled gasket 140 mm long
30	70020-60800	Silicon square sealing, 65 cm 6 x 6 mm
31	10010-65100	Screw B 4.8 x 9.5 with tenon
32	70020-37100	Electronic housing cover
33	10010-71300	Screw B 2.9 x 9.5 torx
34	70020-37200	Electronic housing lid

Position	Part no	Description
35	70020-72000	Electronic
36	70020-72100	Exchange-Electronic Exchange price, when returning the defective electronic to the factory
37	70000-07100	Fuse 1.6 AT
38	70000-56300	Cable harness
39	70000-26400	Connection clamp blue/orange
40	34000-34200	Thermostat overtemp
41	34000-34300	Temperature sensing device
42	70020-10200	Electronic floor plate c/w spark el. spark el.
43	10010-63100	Screw B 2.9 x 19 torx
44	70000-54200	Burner
45	70000-56200	Flame rectification electrode
46	70000-34500	Clamp
47	10010-70000	Screw B 2.9 x 6.5 torx
48	70000-38200	Solenoid valve 30 mbar complete with gasket
49	70000-35800	Gasket for valve body
50	10010-65300	Screw B 4.2 x 19
51	70000-54600	Set coil holders
52	70020-44500	Wall cowl complete white
52	70020-44800	Cover compl. with o-ring
52	70020-44700	Wall cowl complete black
52	70020-44600	Wall cowl complete ivory
53	70000-43900	Cowl floor plate
54	70020-07000	Grill for wall cowl B 3 white
54	70020-07100	Grill for wall cowl B 3 bianco
54	70020-07200	Grill for wall cowl B 3 ivory
54	70020-07300	Grill for wall cowl B 3 black
55	70122-01	Cowl cover KBS 3 white
55	70122-04	Cowl cover KBS 3 black
55	70122-03	Cowl cover KBS 3 ivory
55	70122-02	Cowl cover KBS 3 bianco
56	10010-72900	Screw B 3.5 x 25
57	10010-83300	Screw DM 4 x 10, Torx
58	70131-00	Cowl extension VBO 2 complete
59	70000-17900	Connection tube
60	70000-18000	Distance tube
61	70000-49500	Threaded bolt M 4
62	10020-17500	Nut M 4
63	10020-20100	Washer 4.3
64	70020-37300	Control panel UGE without cable
65	34000-60500	Housing cover
66	70000-96200	Control panel cable 3m
67	70000-53500	Control ext. 5 m
68	70020-37400	Control panel 230 V, UGE with cable 1 m
69	34000-60600	Cover frame agate grey further colours upon request
70	34000-65900	Line-up clipmm long